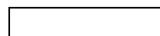
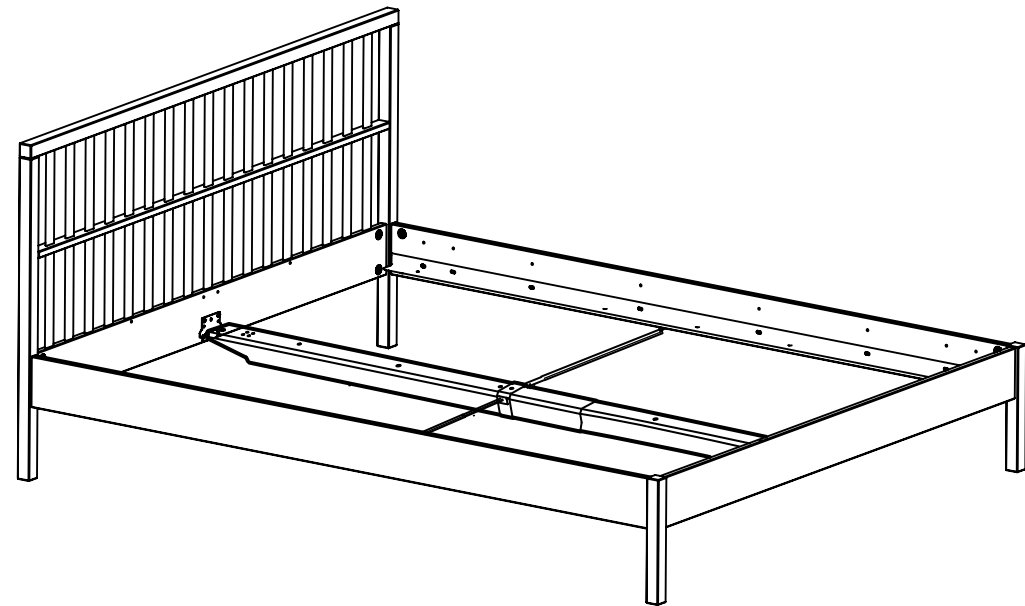
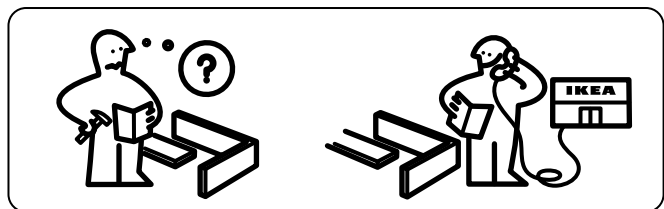
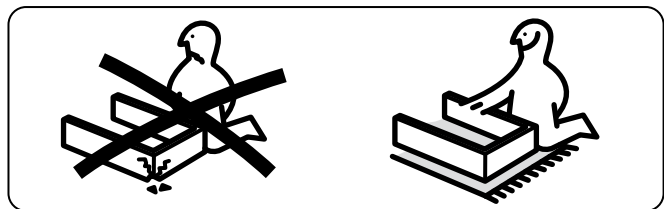
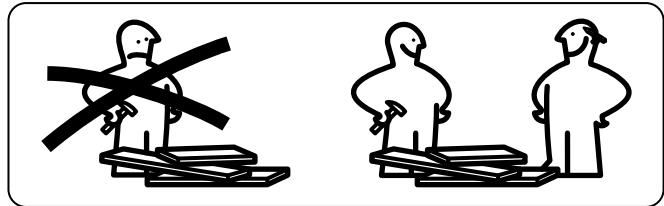
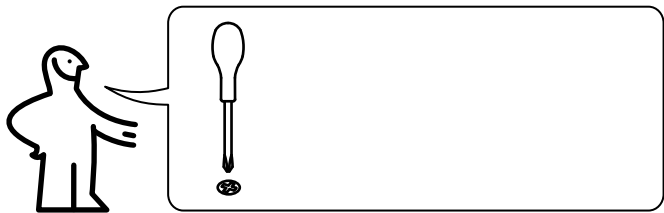
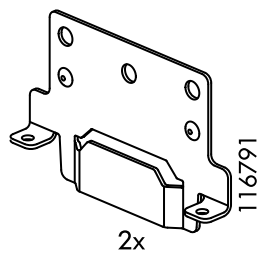
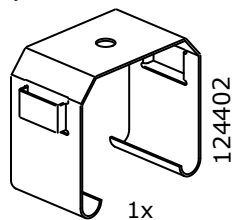
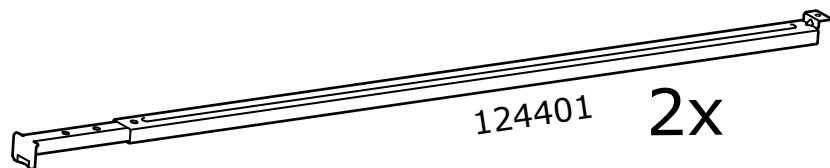
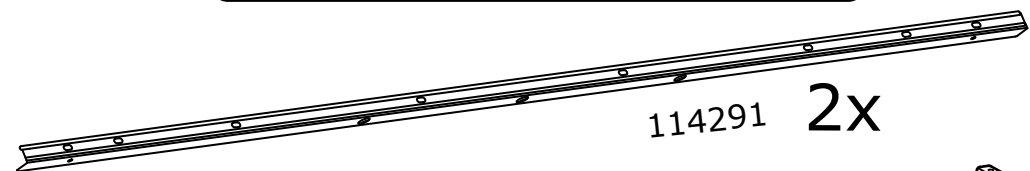
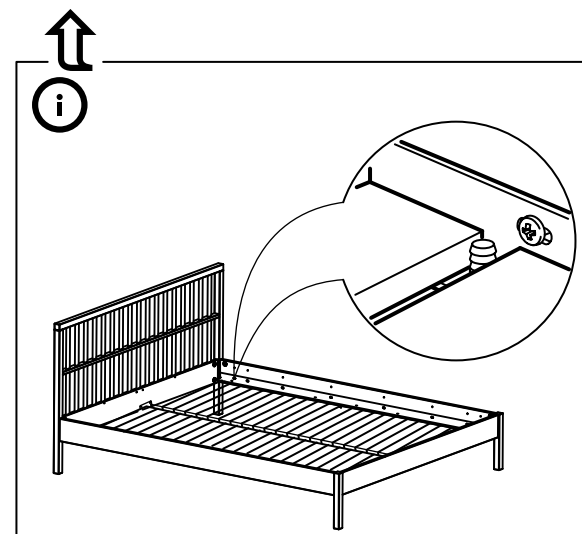
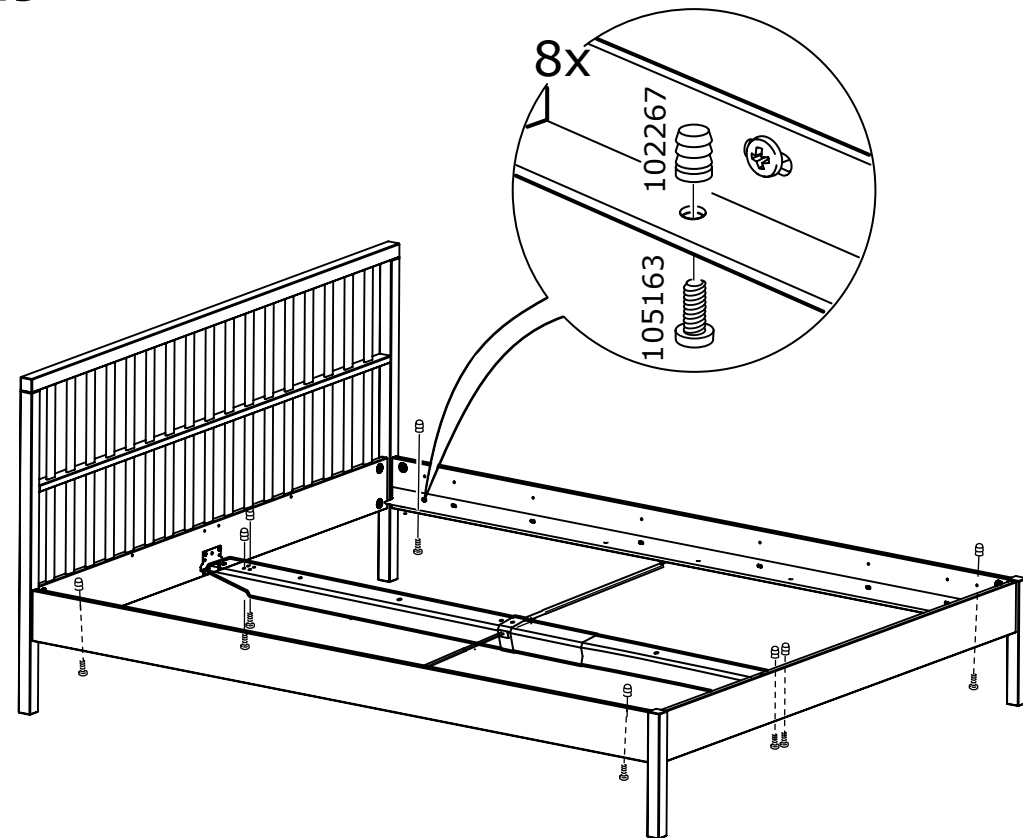


# KONGSHUS

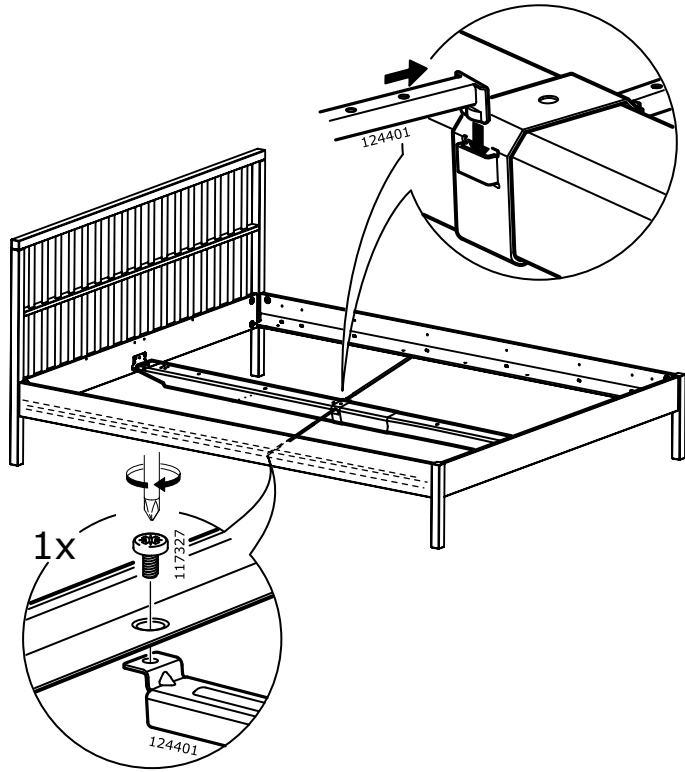




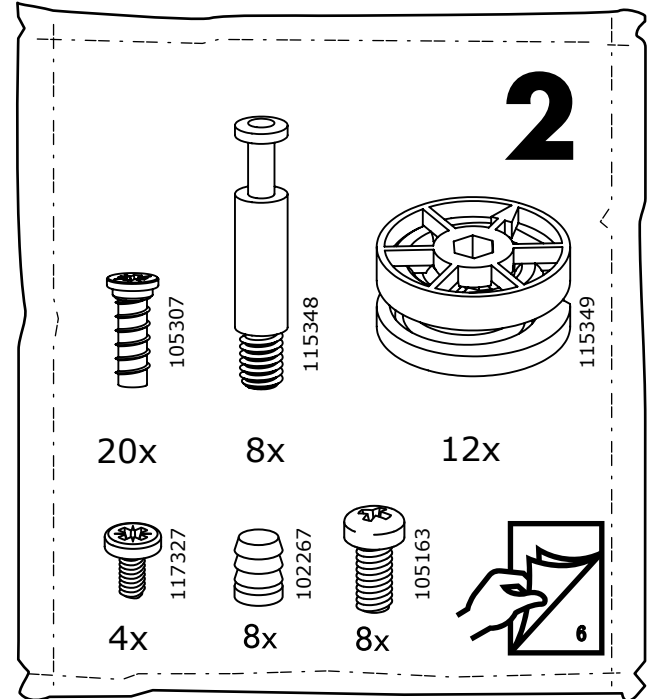
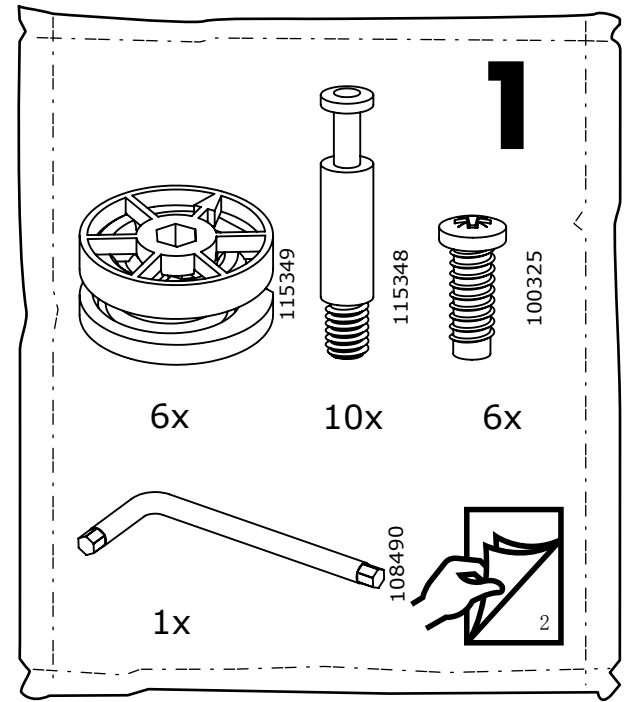
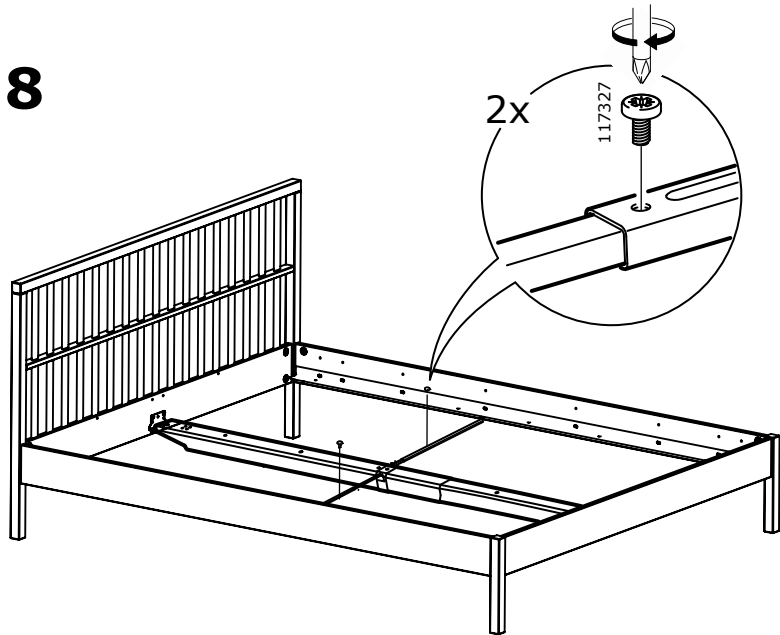
19



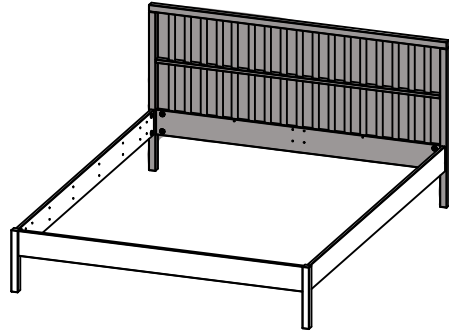
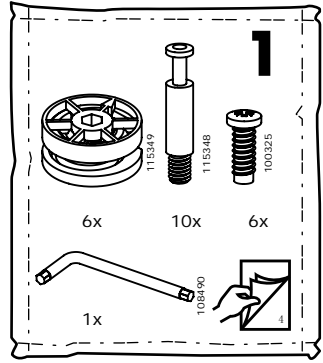
17



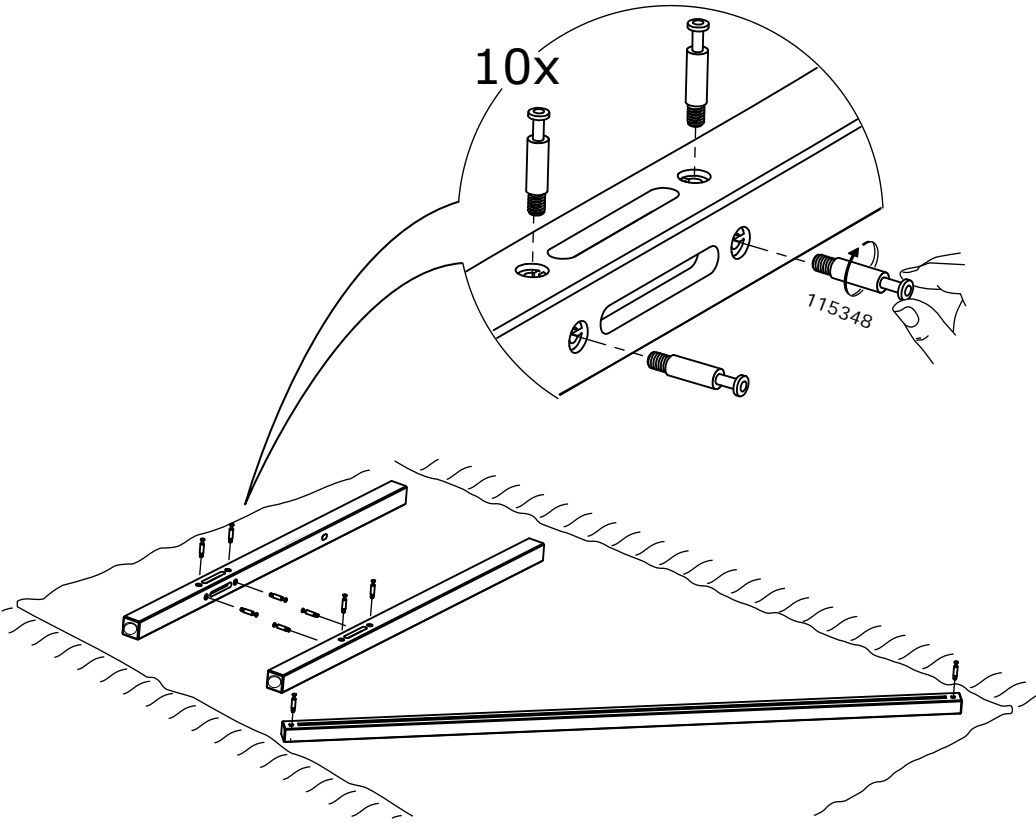
18



1

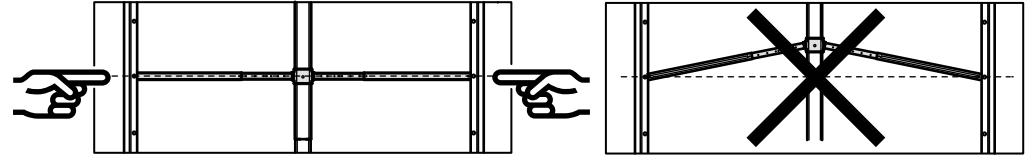


10x

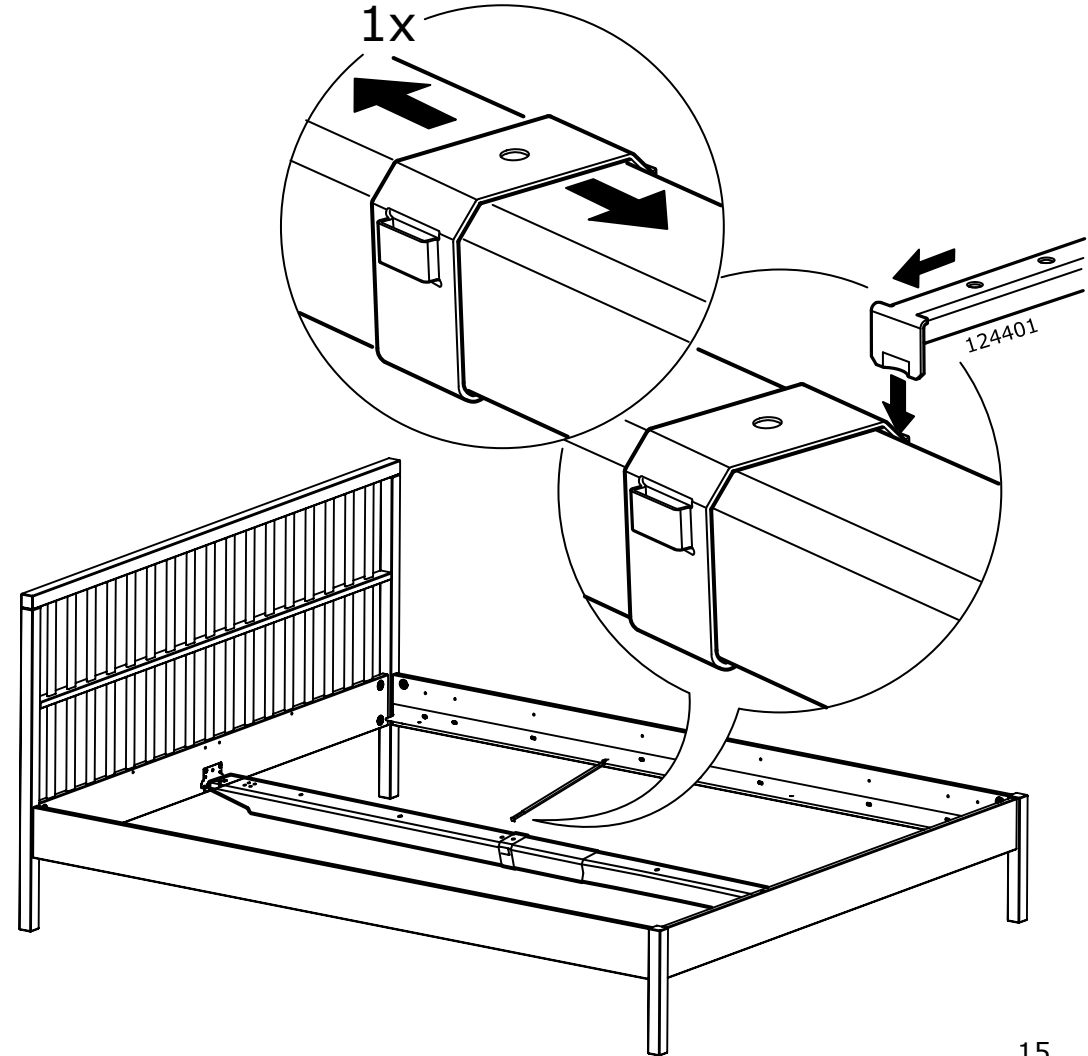


115348

16



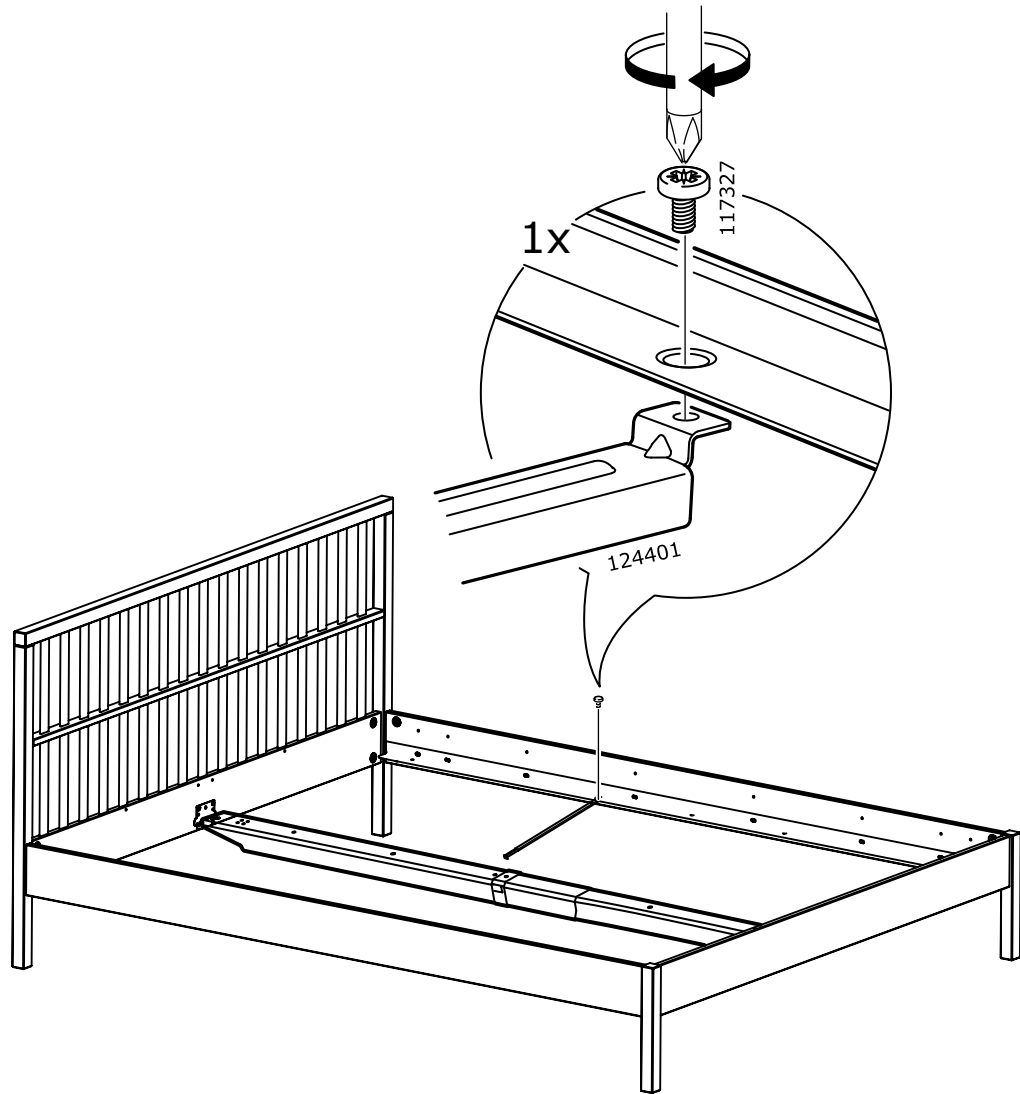
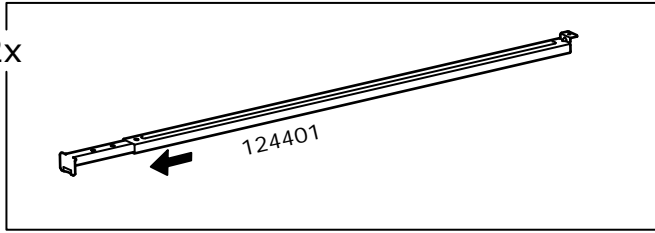
1x



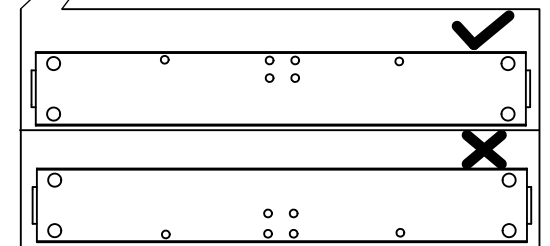
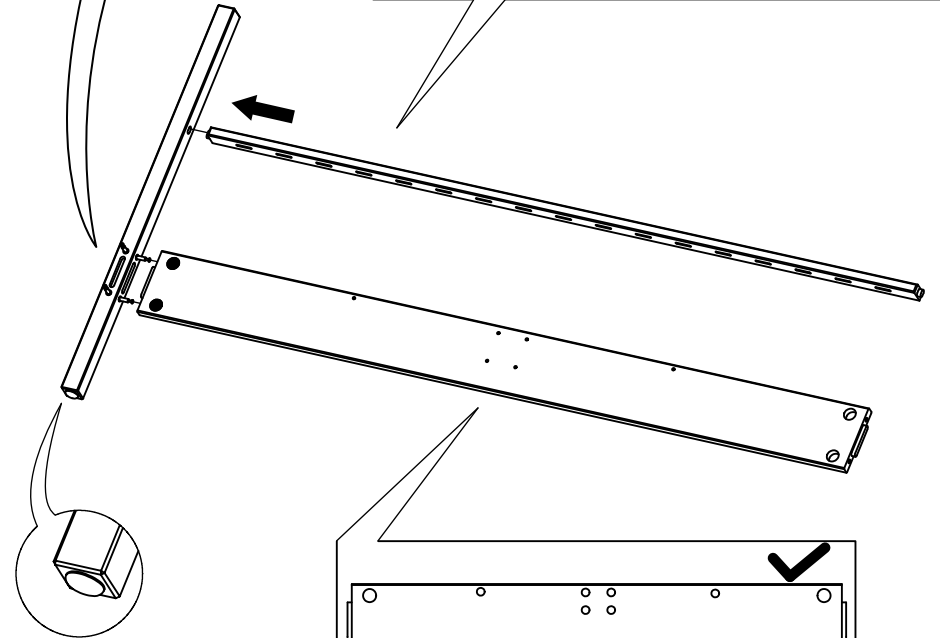
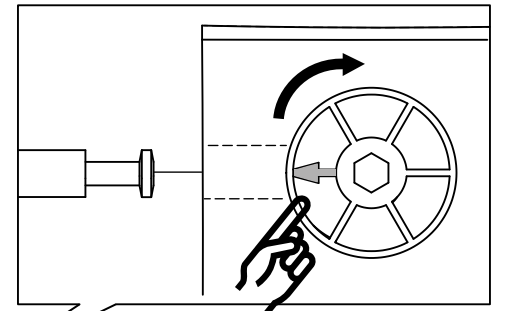
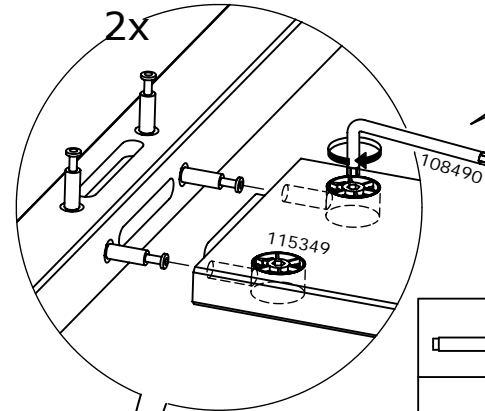
124401

15

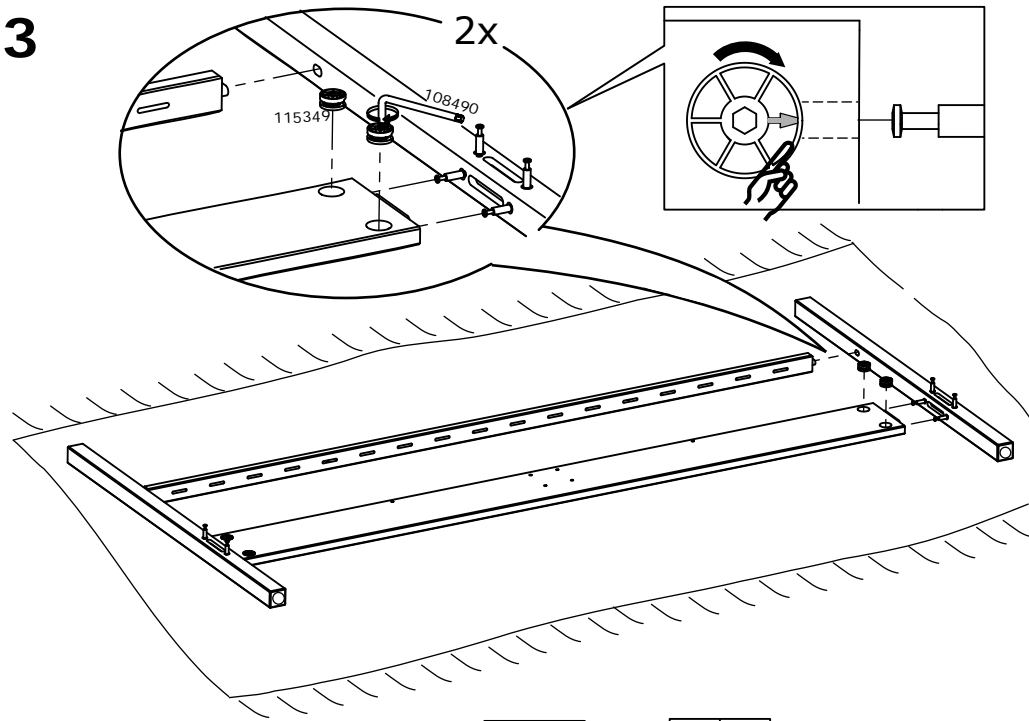
2x



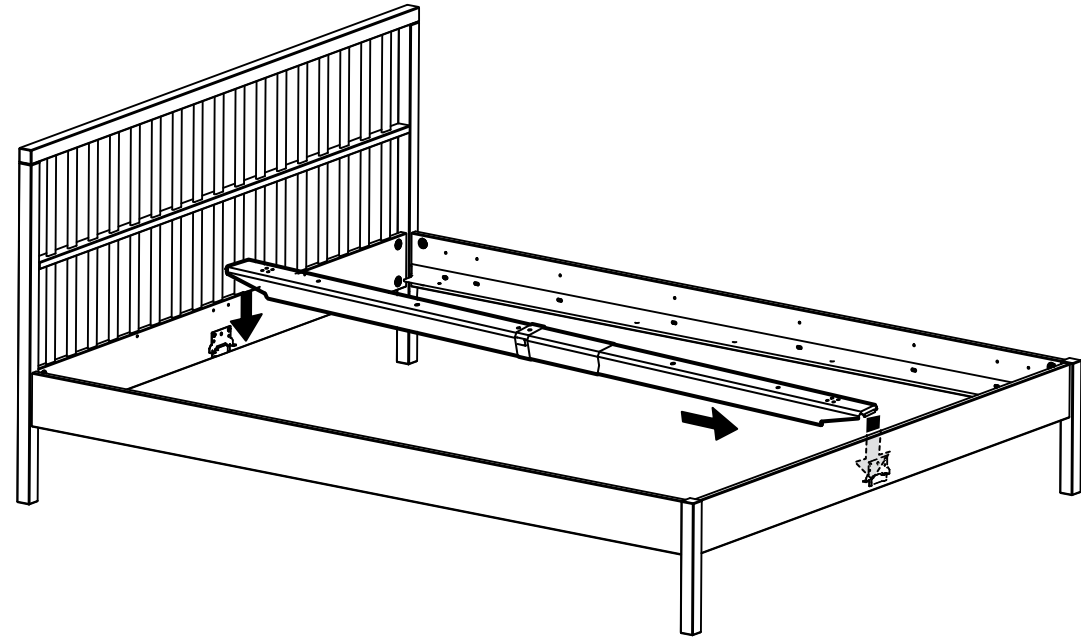
2



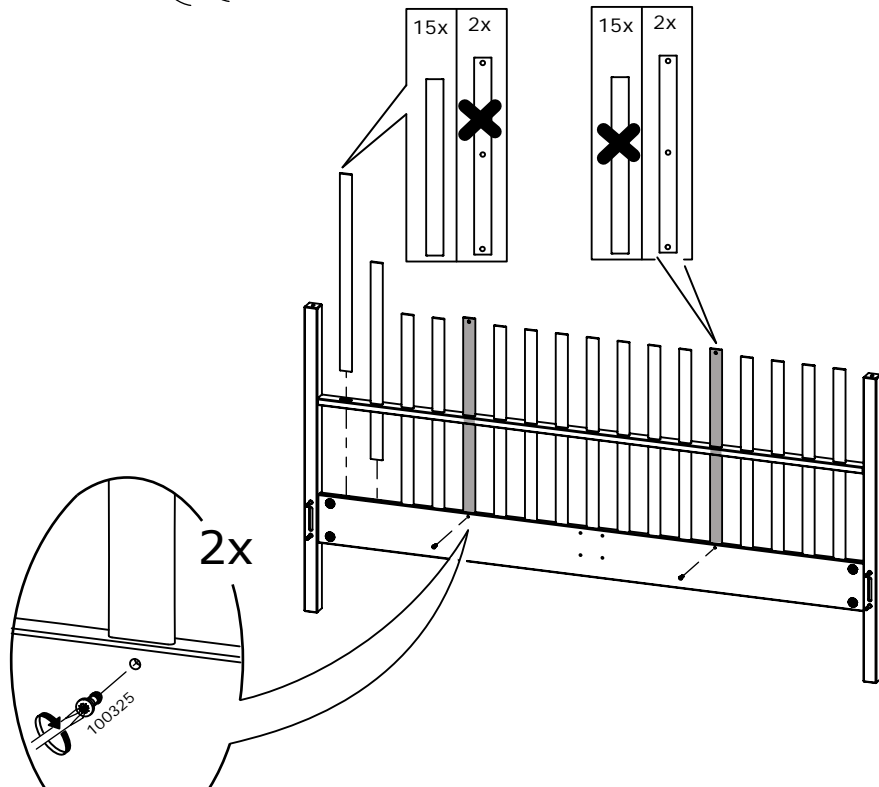
3



14

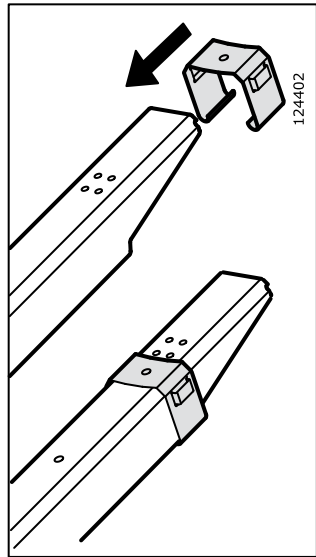
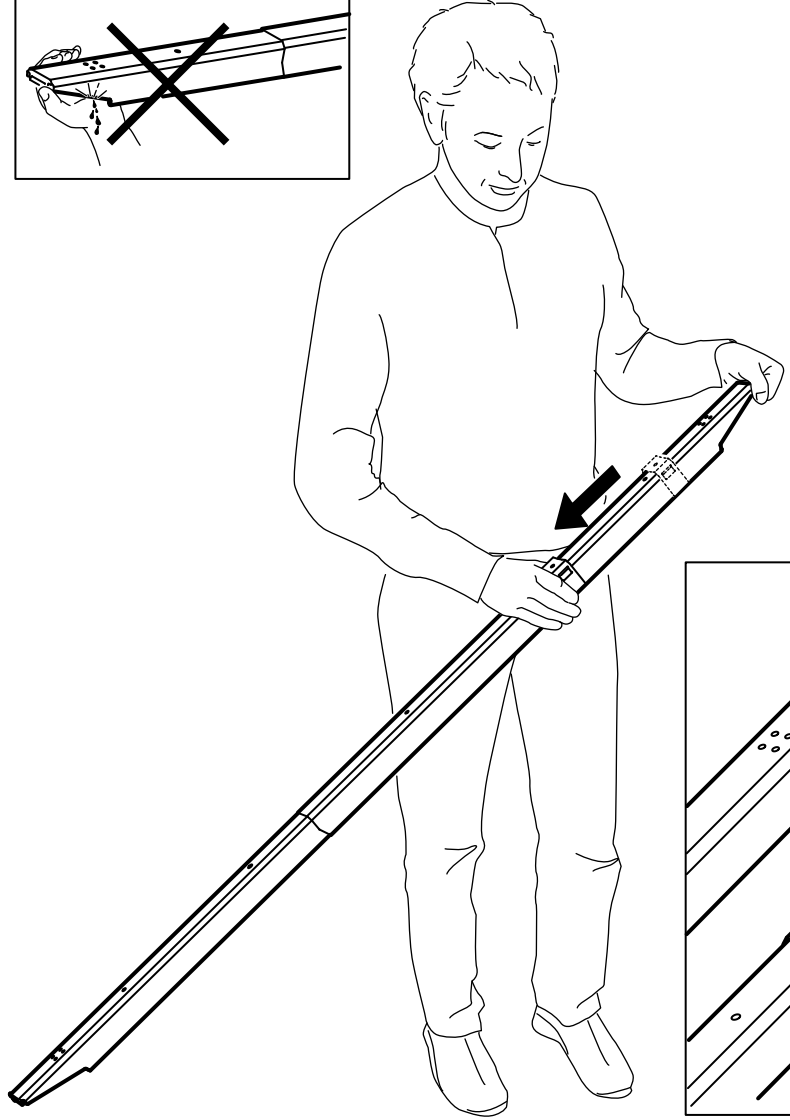
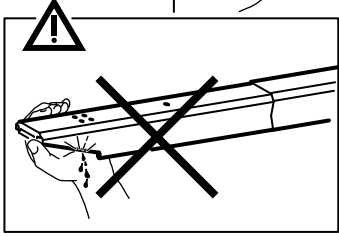
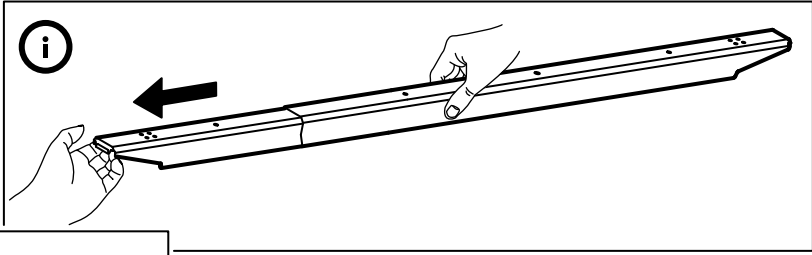


4



4

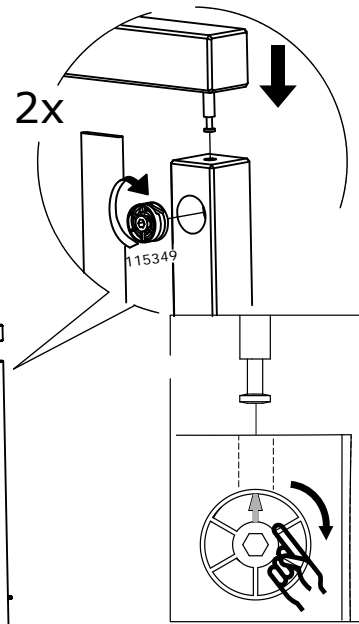
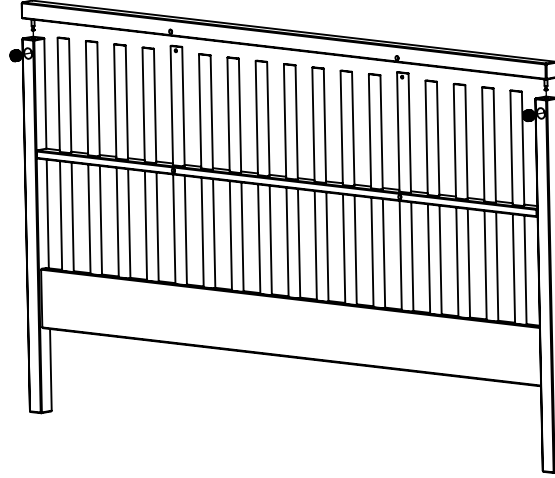
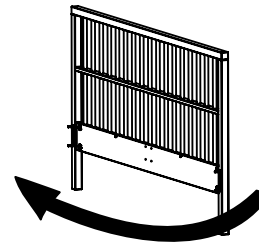
13



124402

12

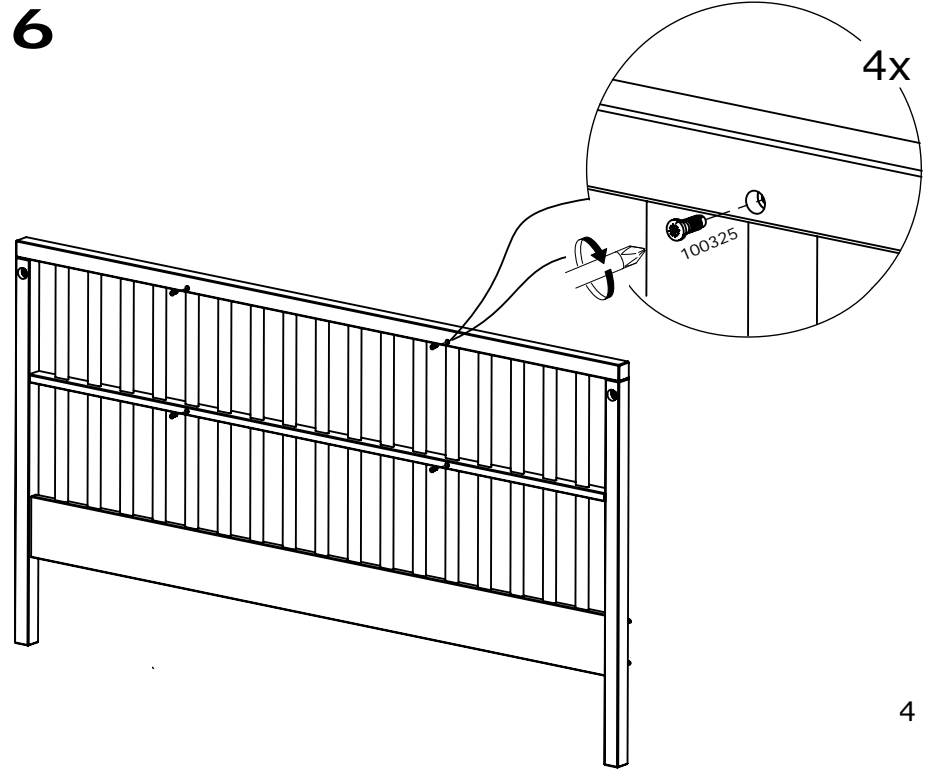
5



2x

115349

6

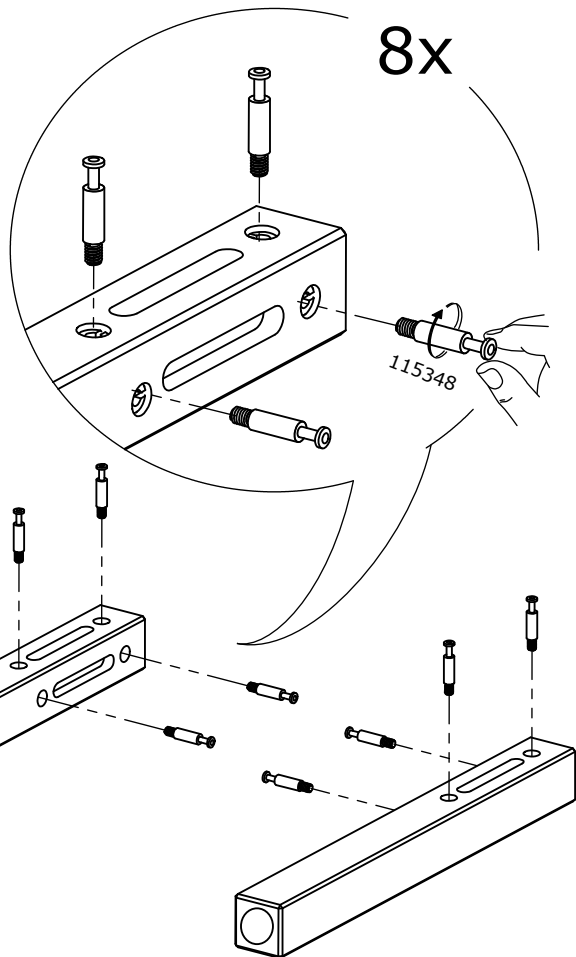
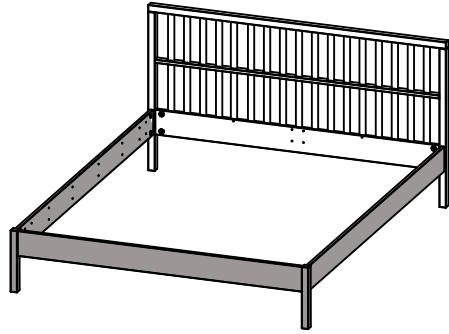
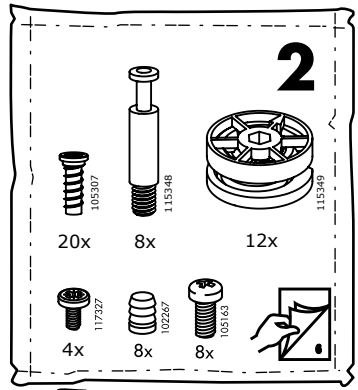


4x

100325

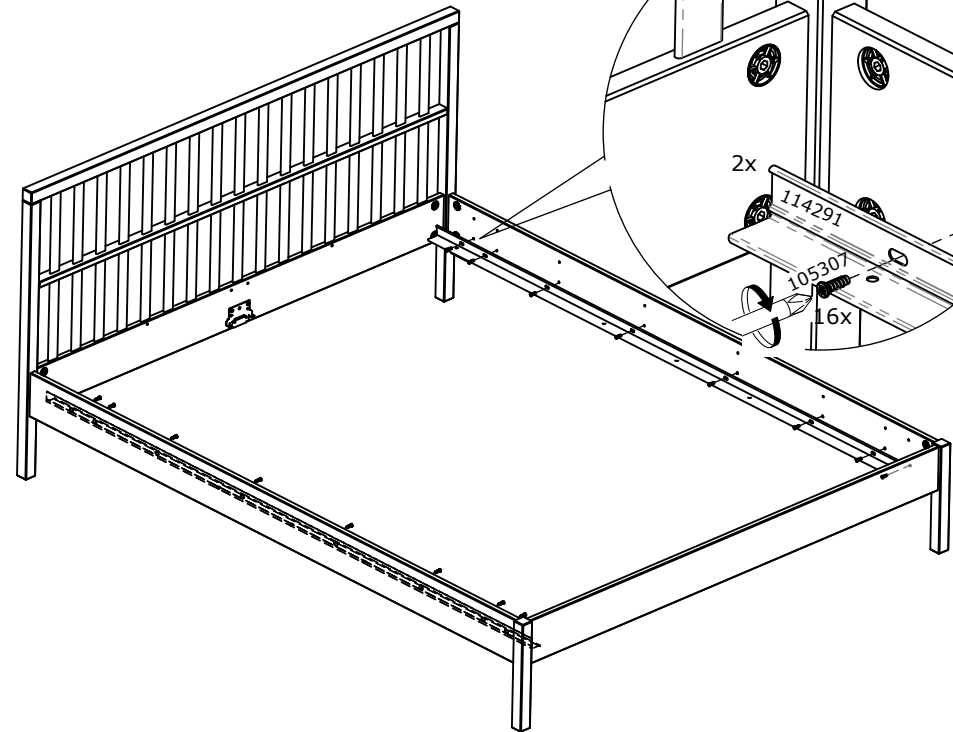
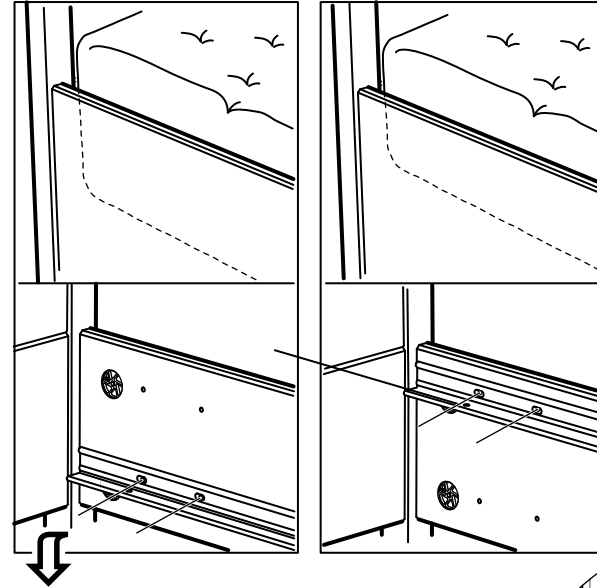
4

7



6

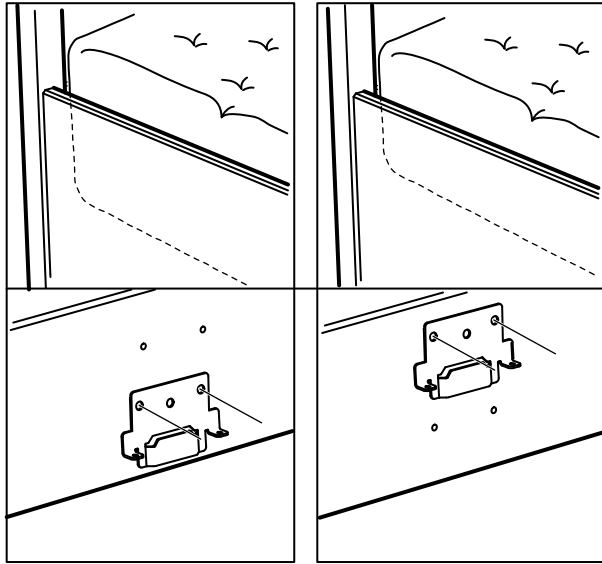
12



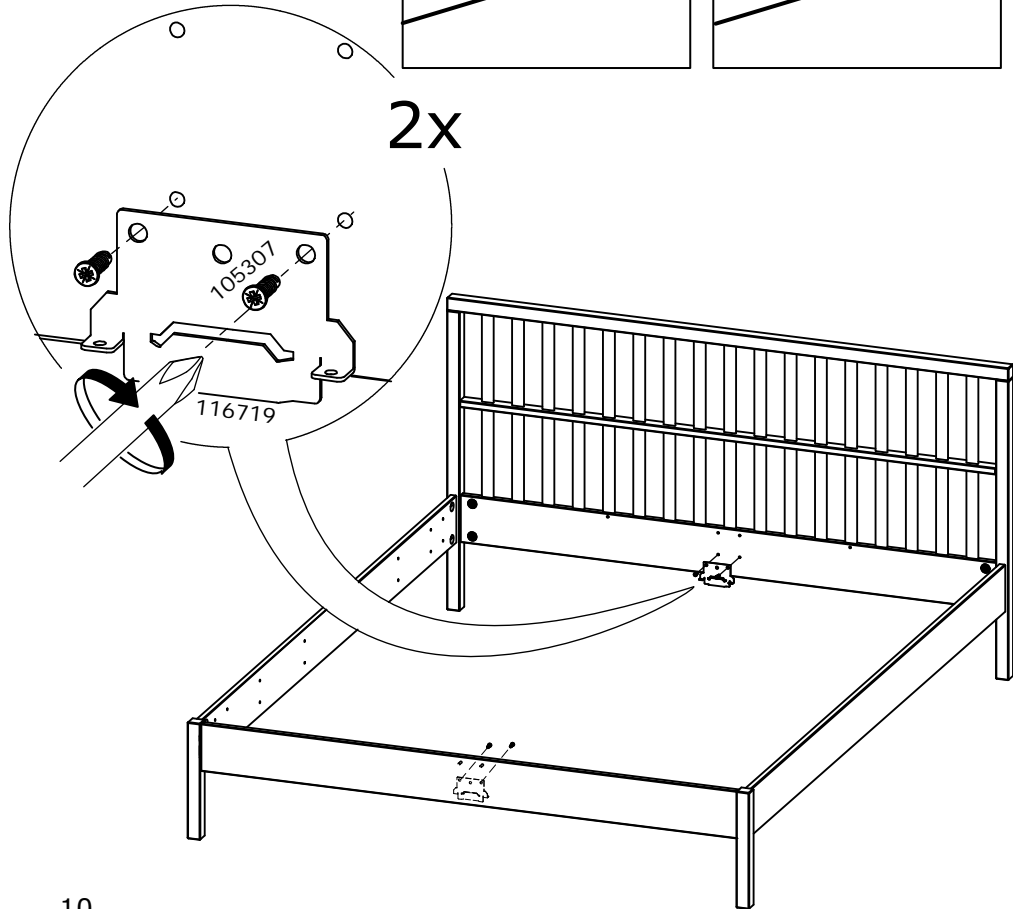
11



11

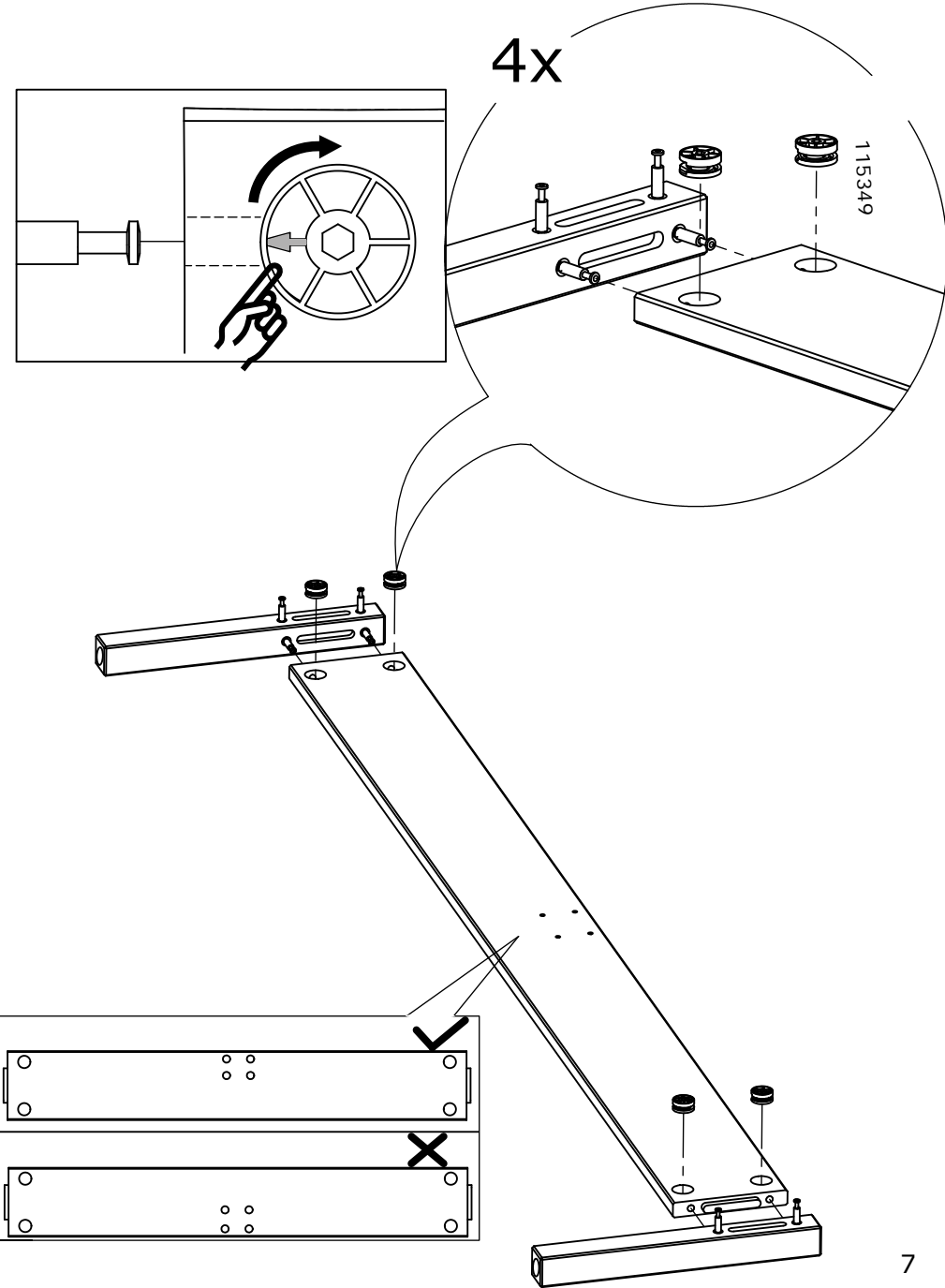


2x



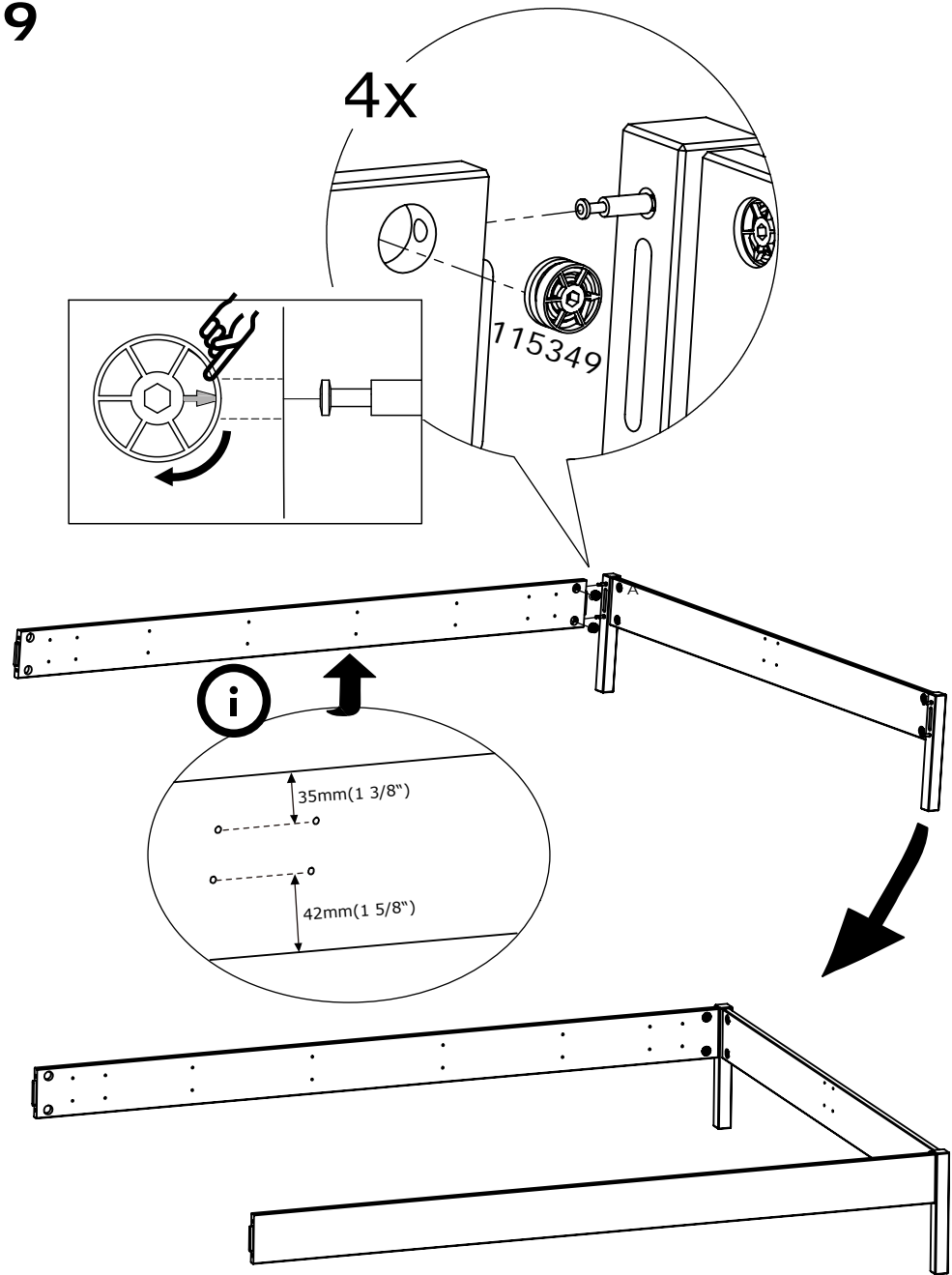
10

8



7

9



10

