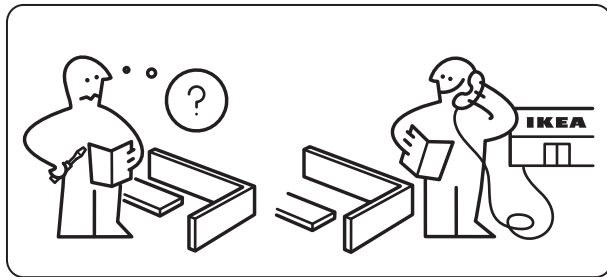
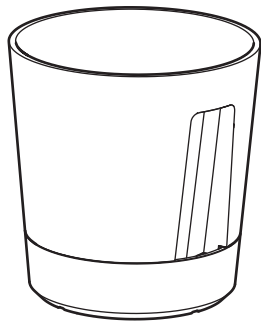
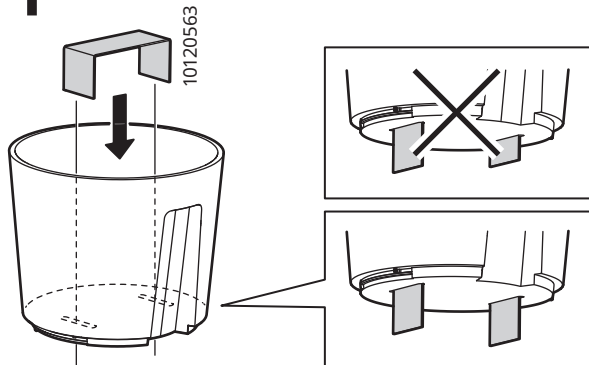


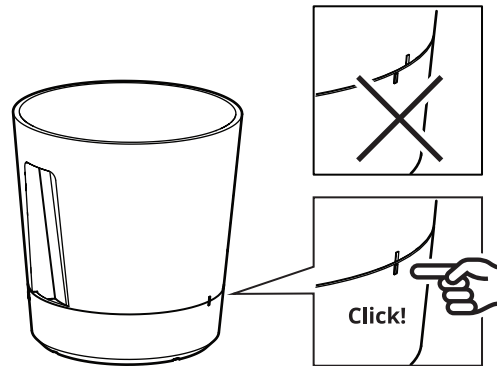
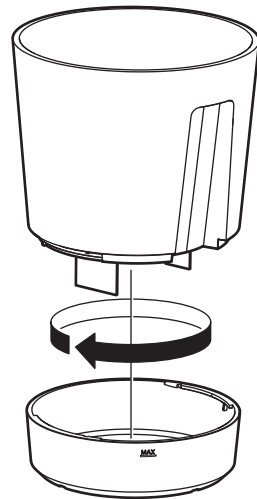
# VÅRDTRÄD



1



2



Design and Quality  
IKEA of Sweden

3

