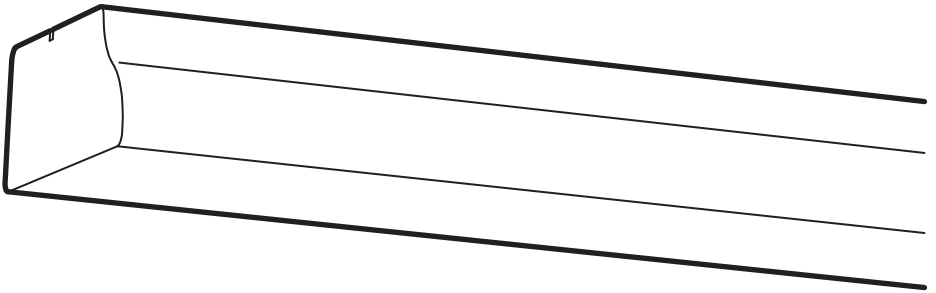
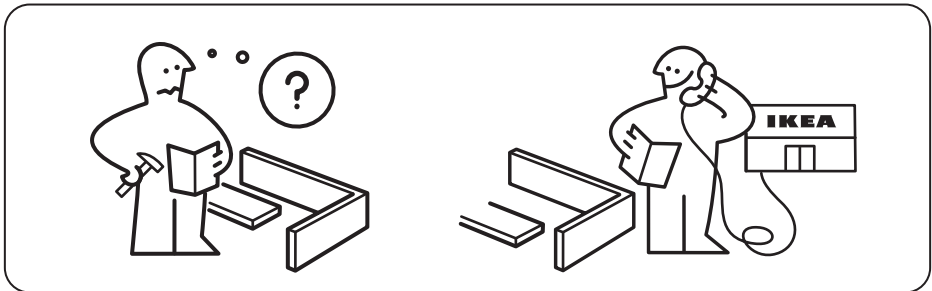
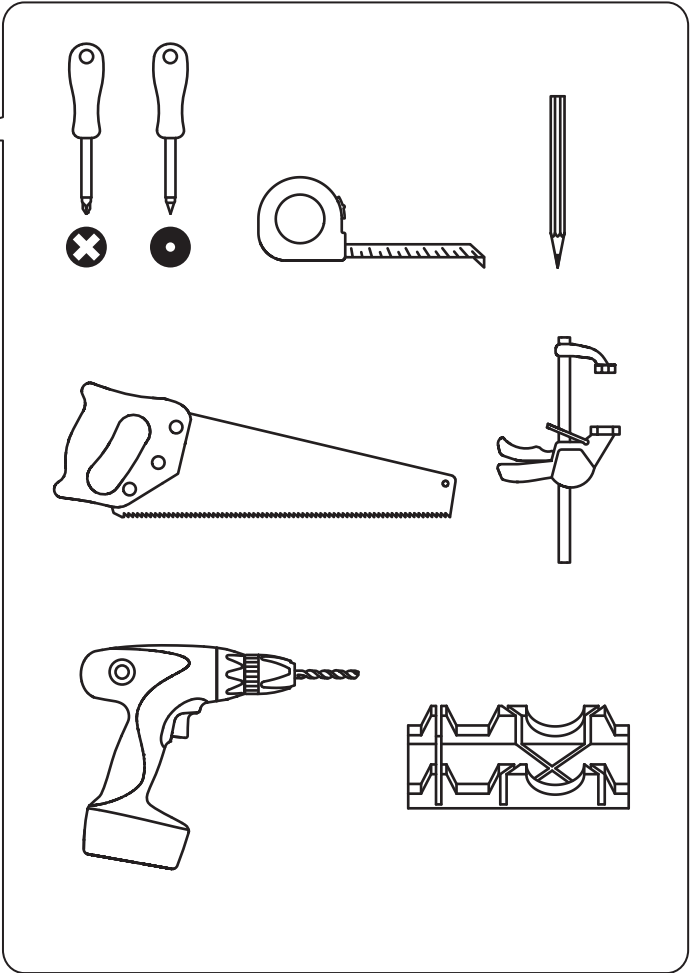


# VEDHAMN

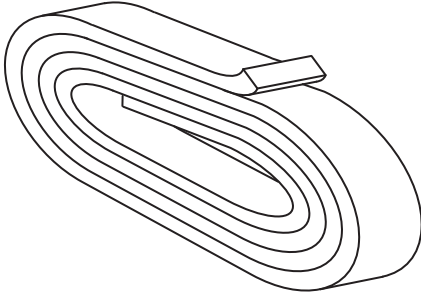


Design and Quality  
IKEA of Sweden

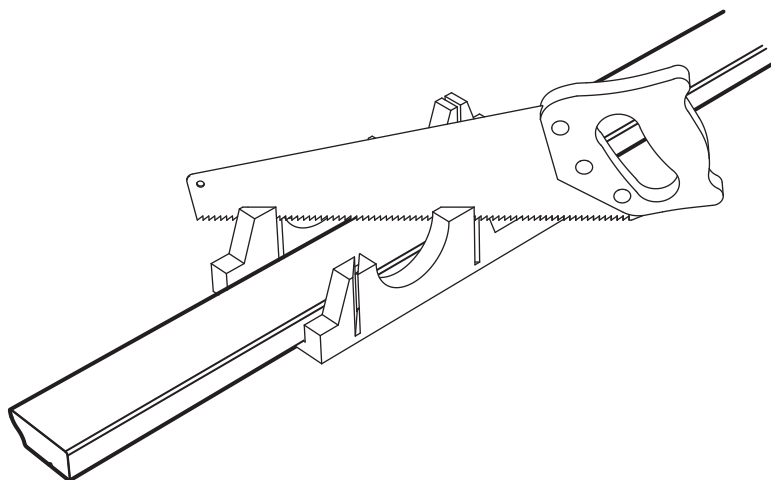
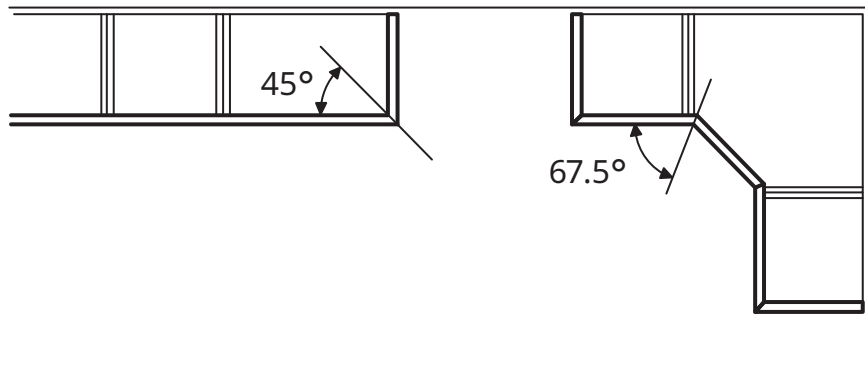


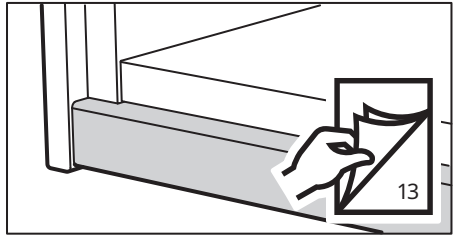
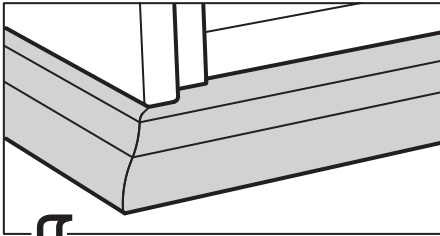
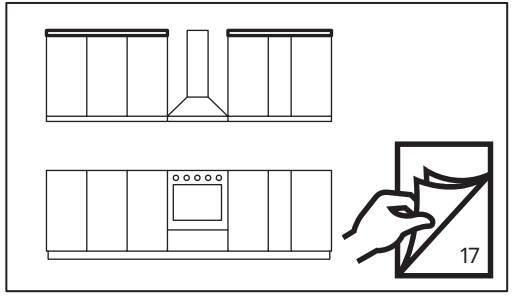
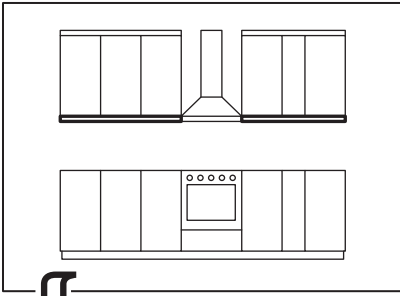


10x

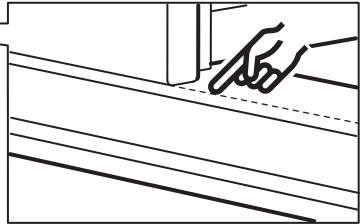
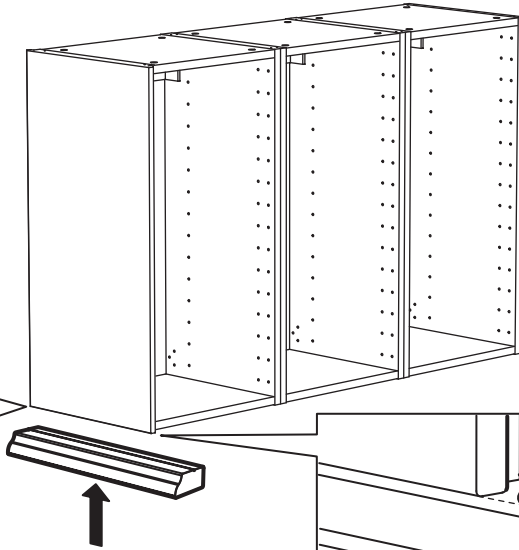
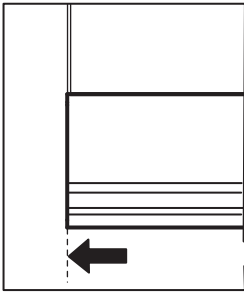


2x

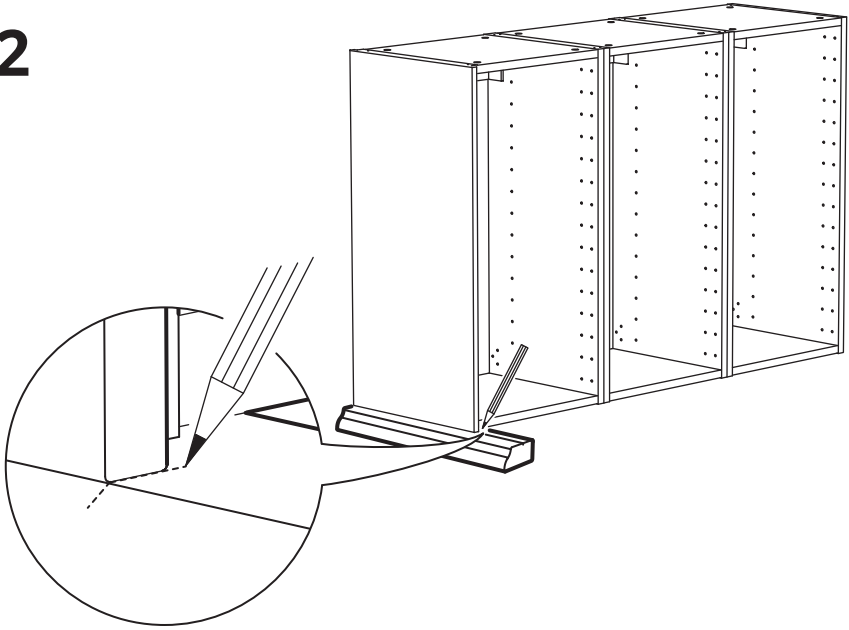




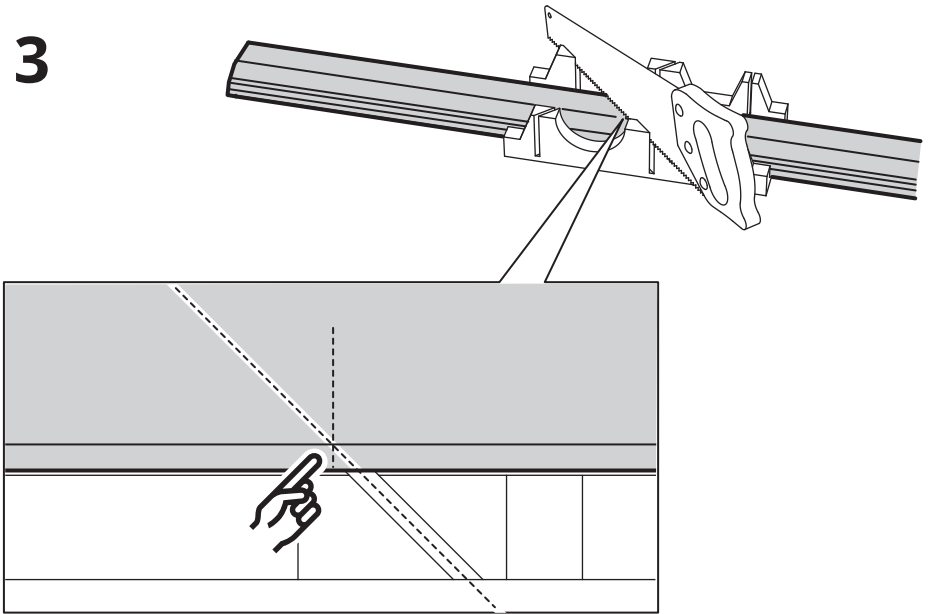
1



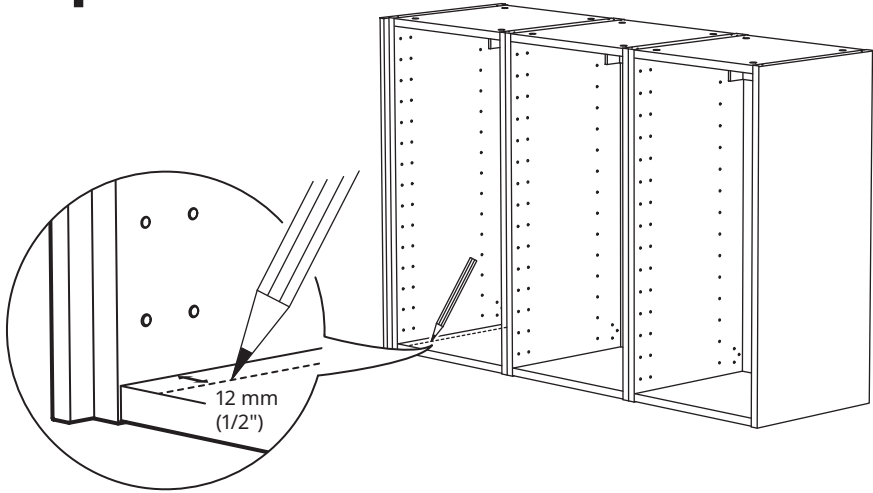
2



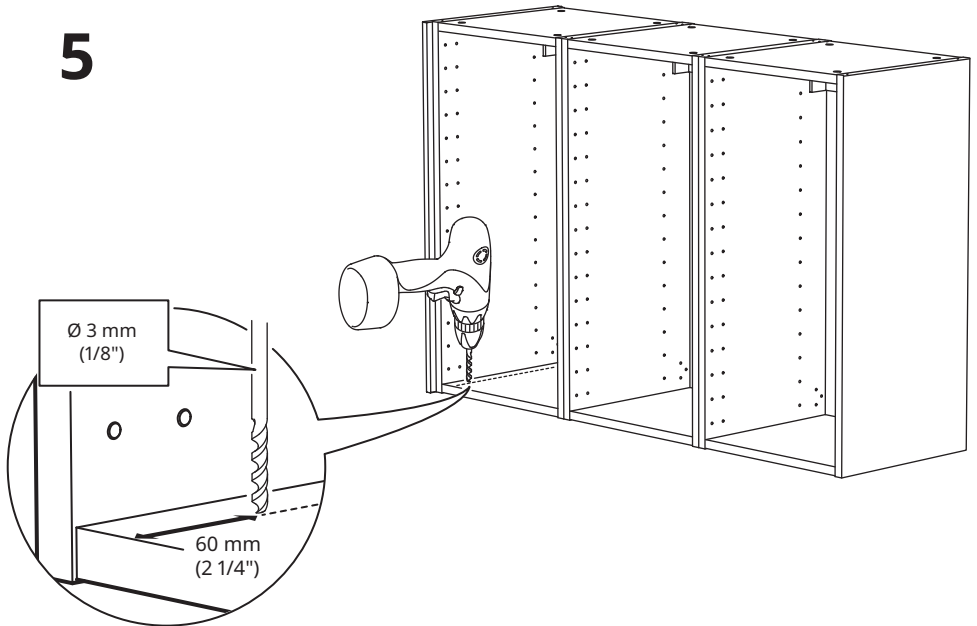
3

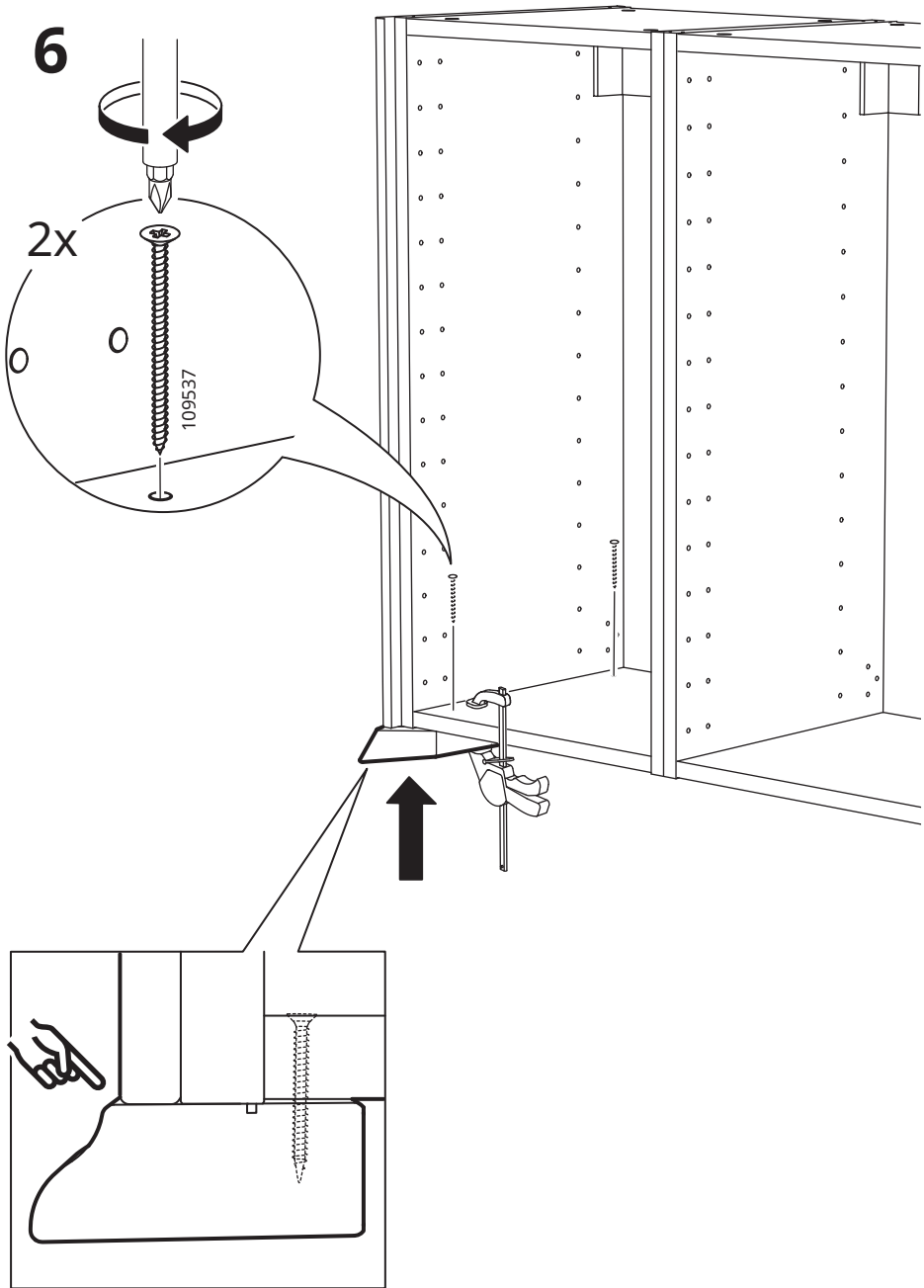


4



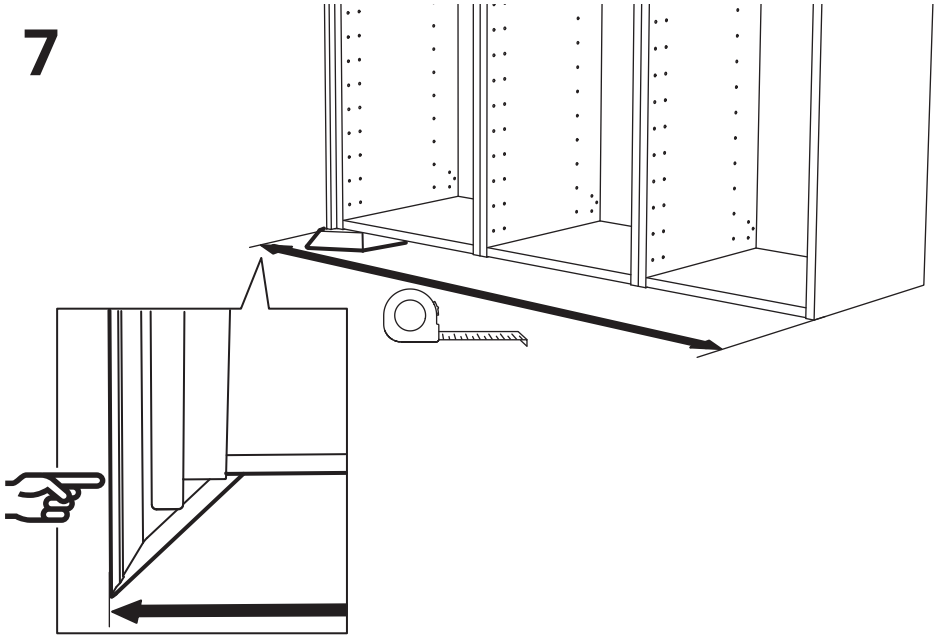
5



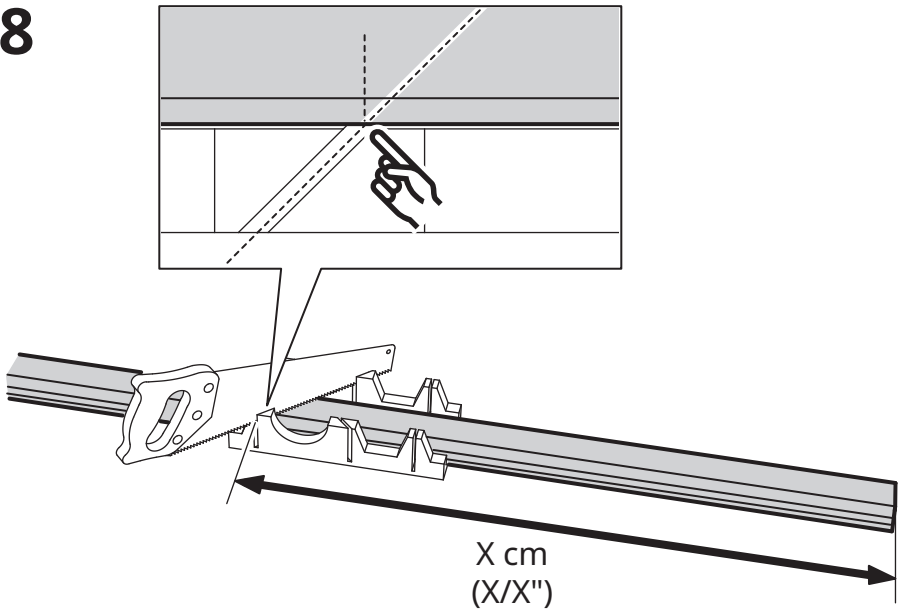




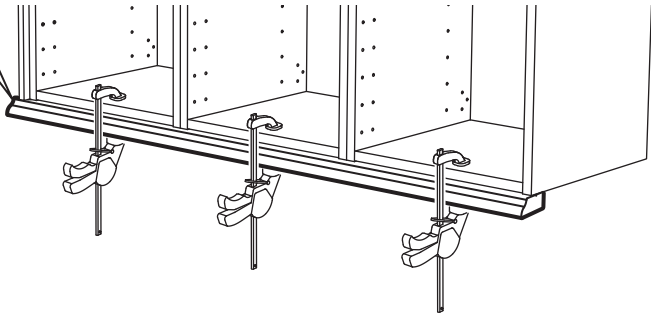
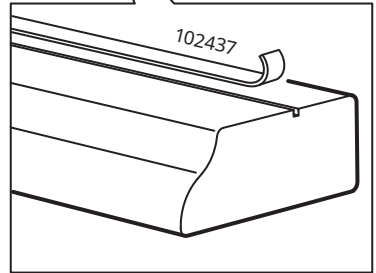
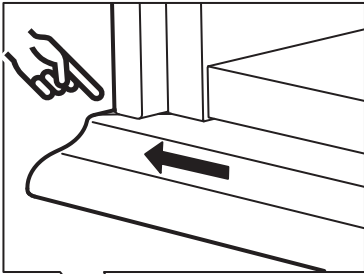
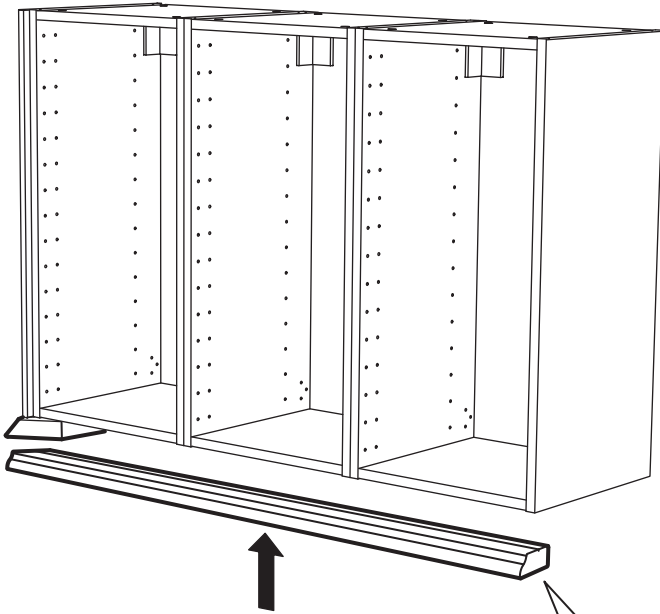
7



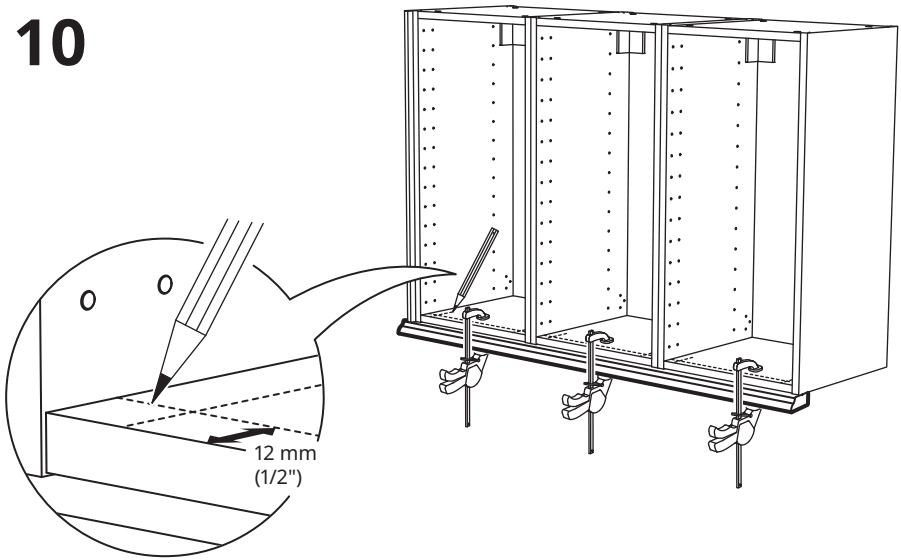
8



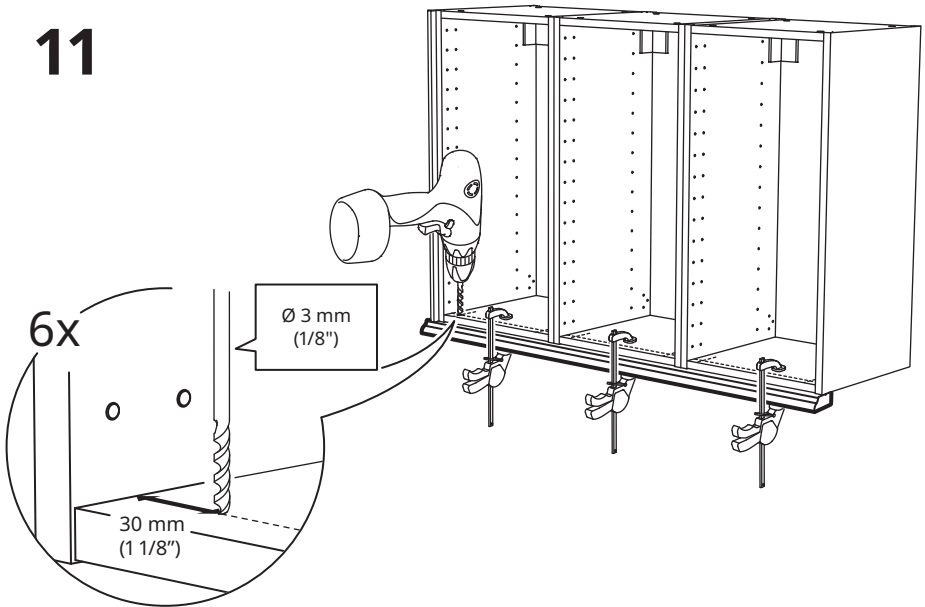
9



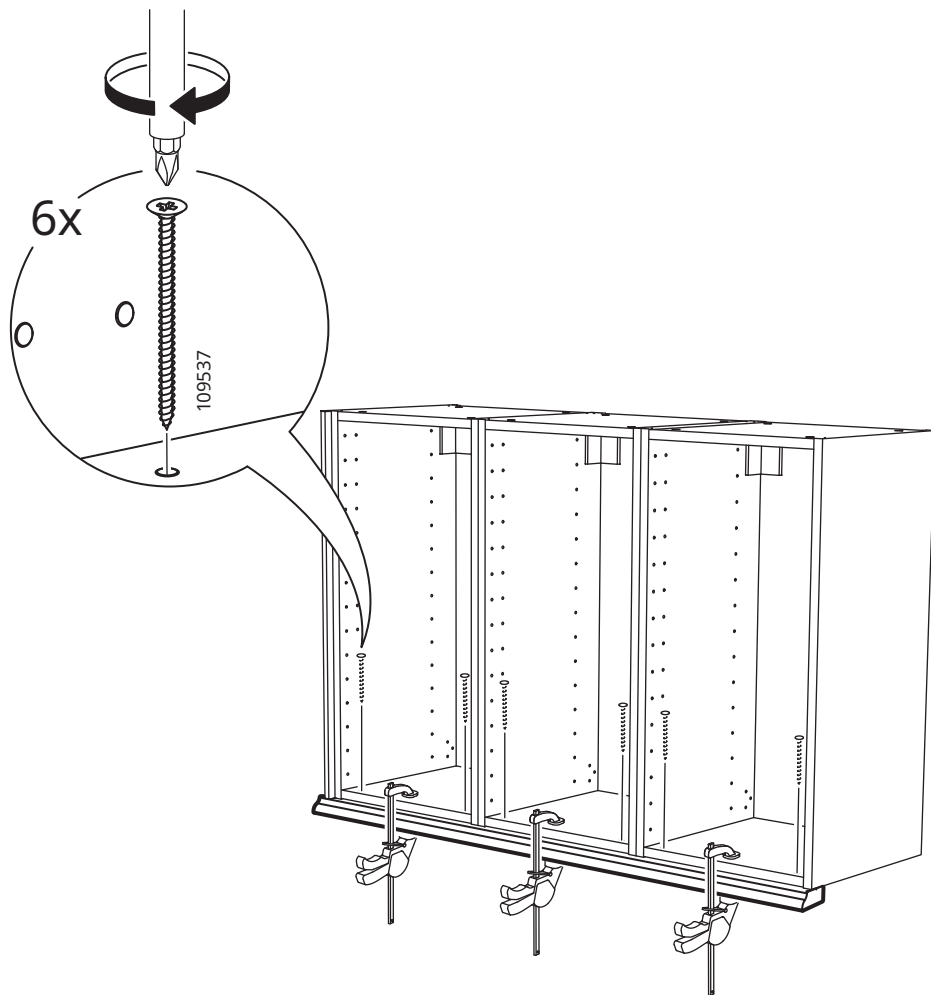
# 10

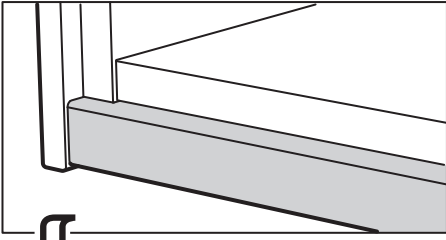


# 11

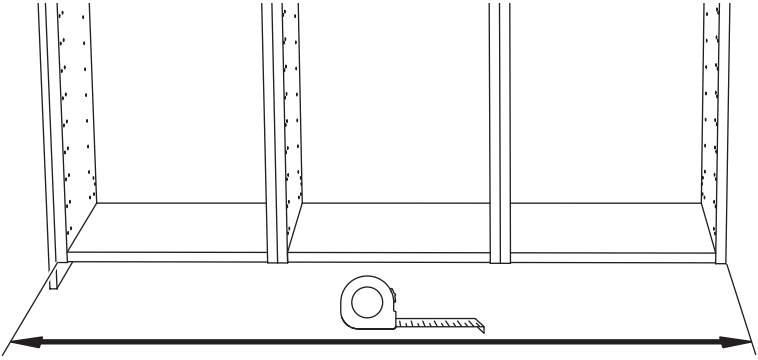


# 12



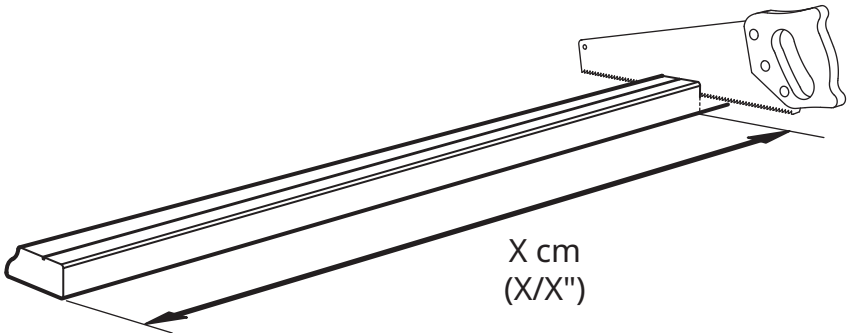


**1**



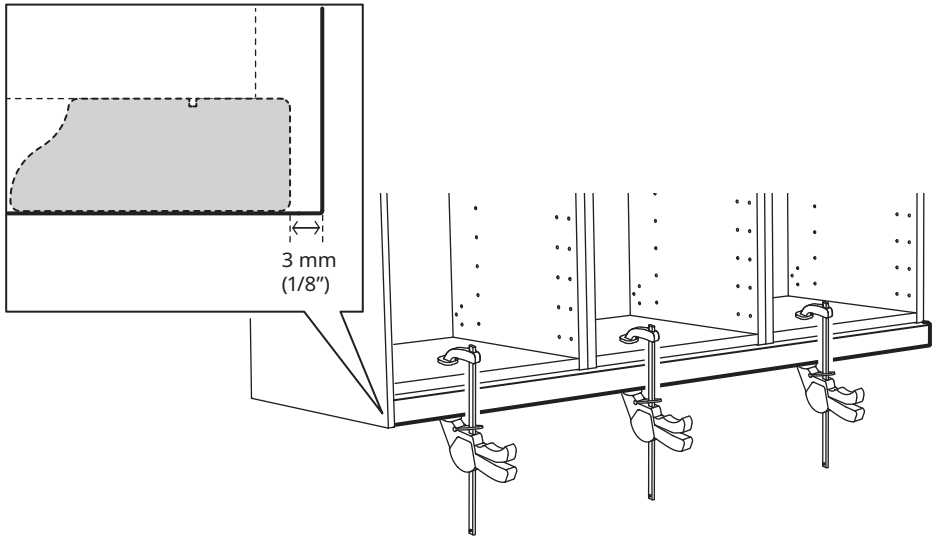
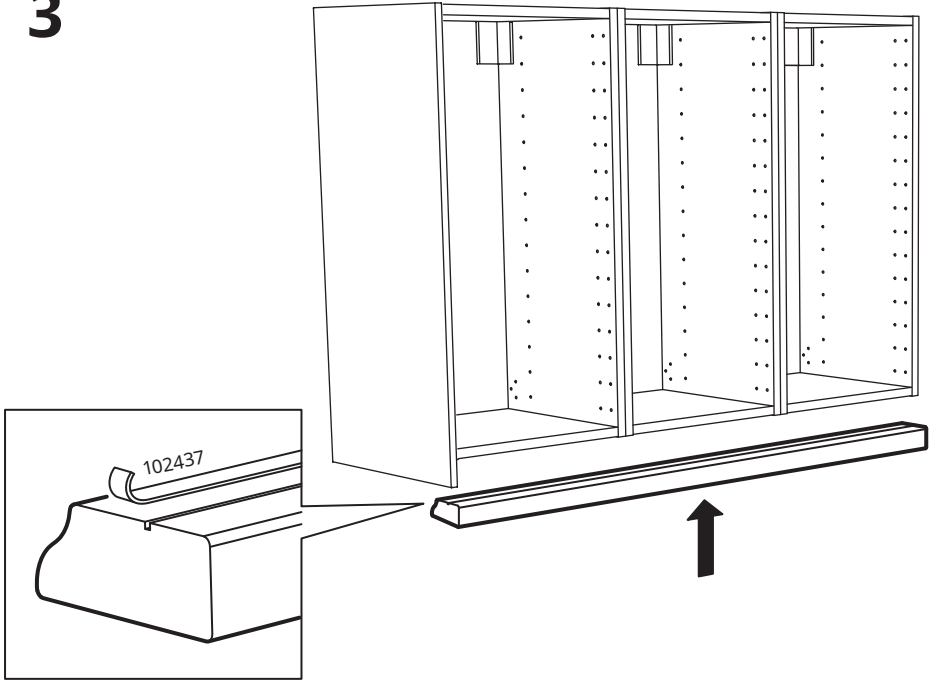
X cm  
(X/X")

**2**

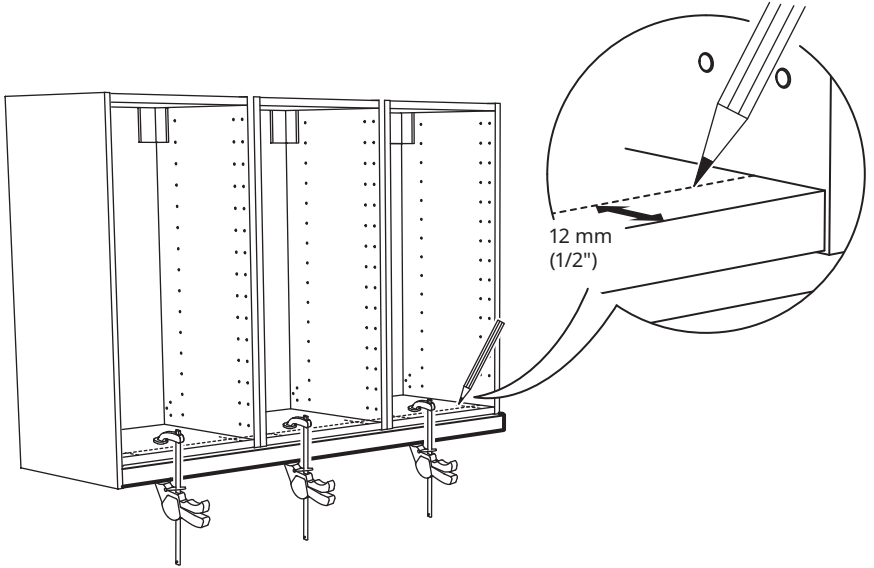


X cm  
(X/X")

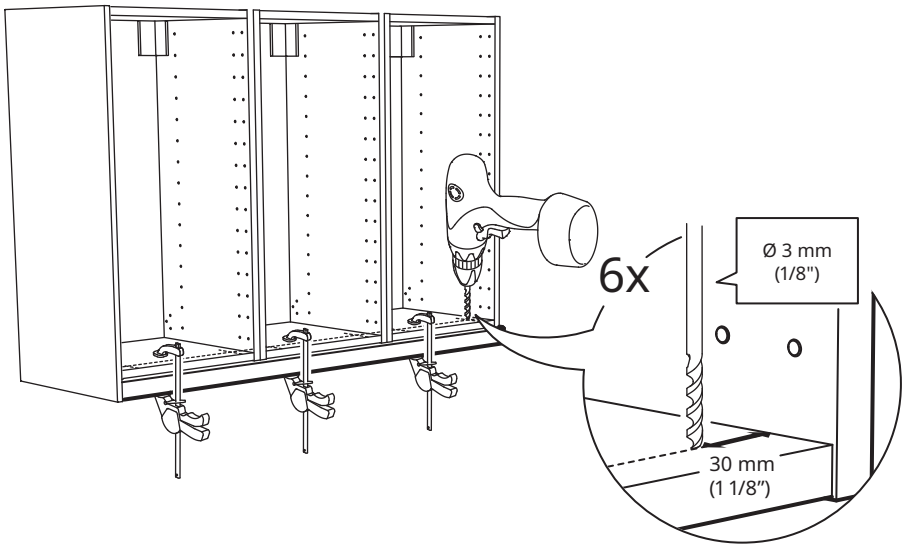
3



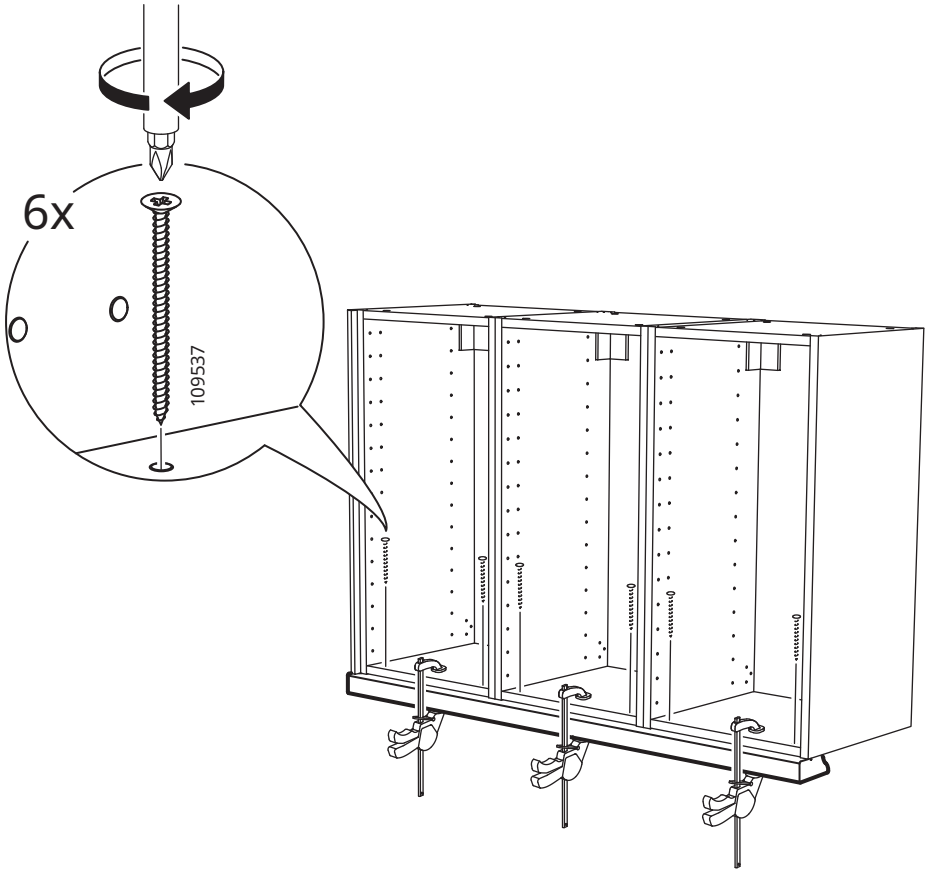
4



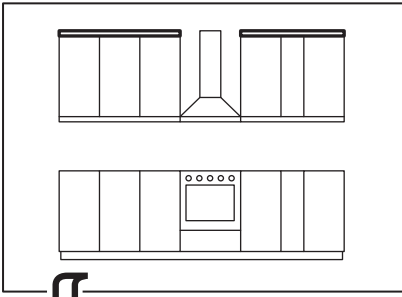
5



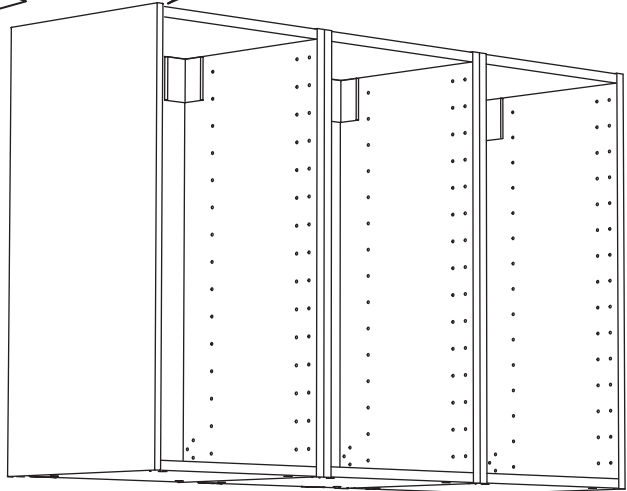
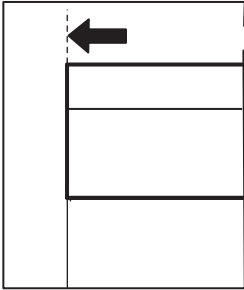
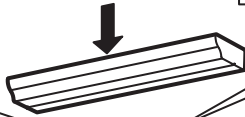
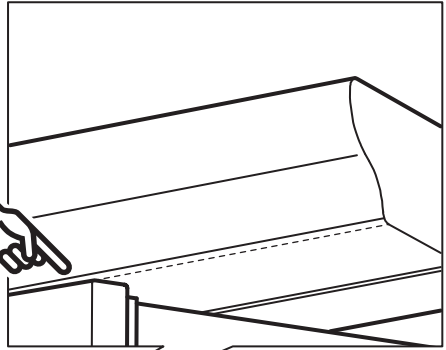
6



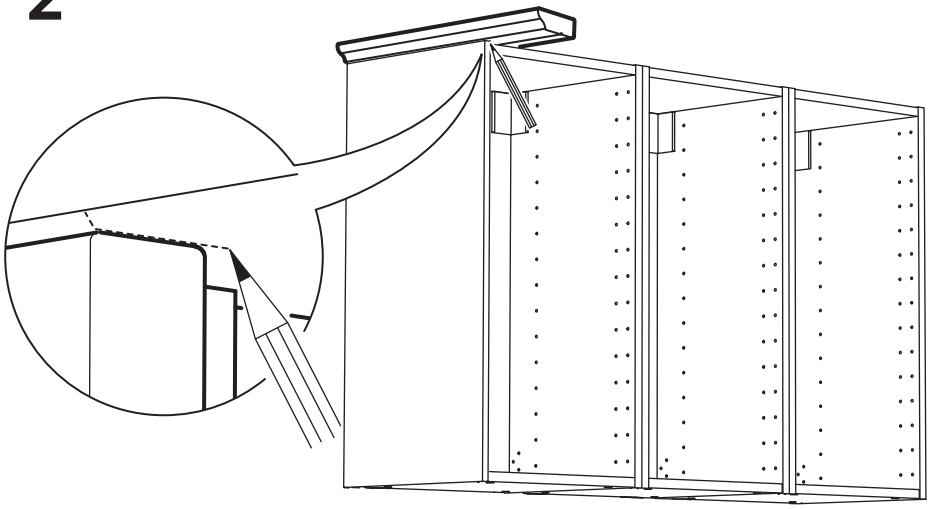




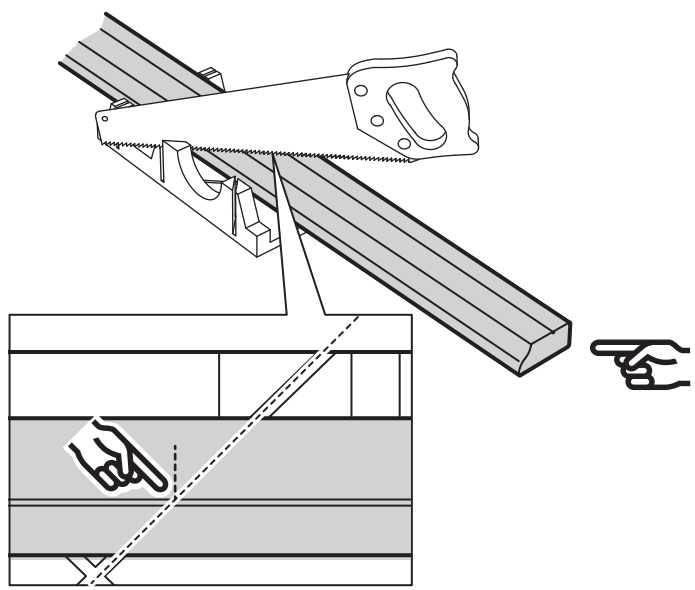
1



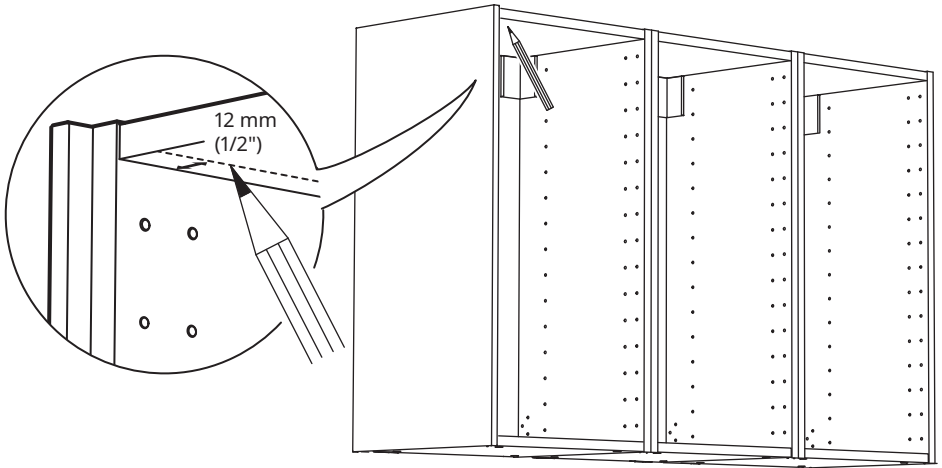
2



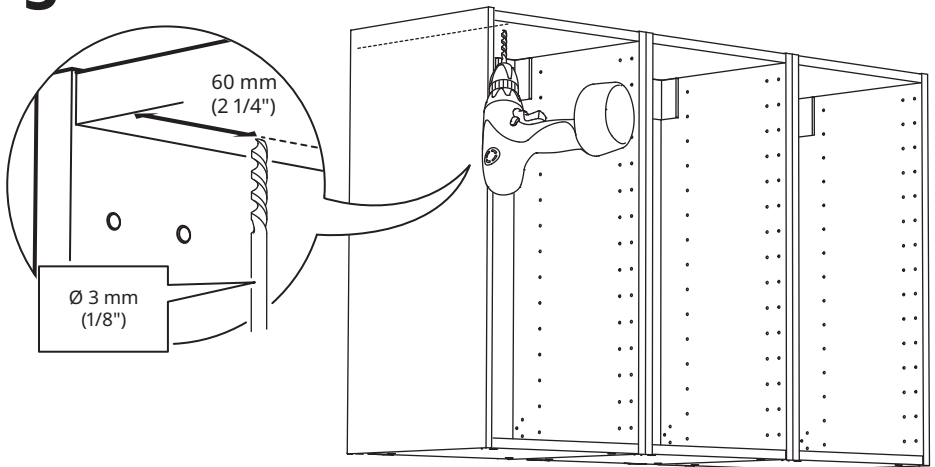
3



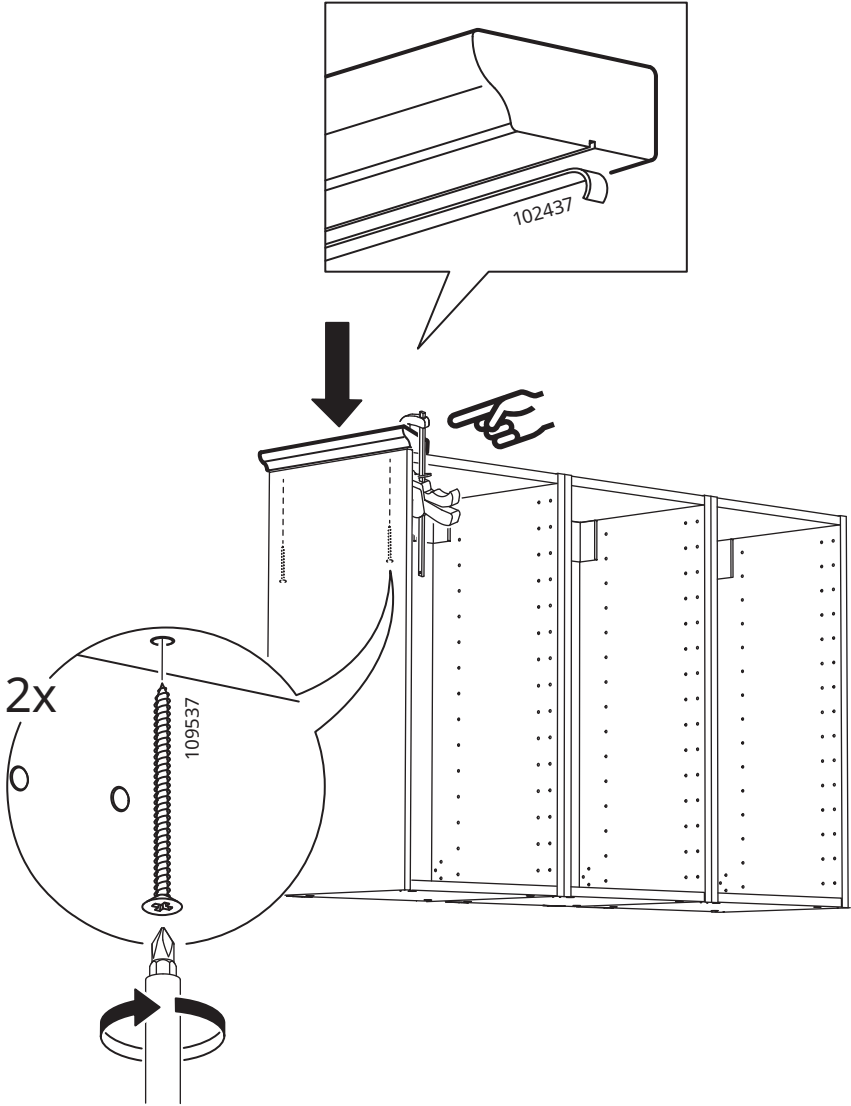
4



5

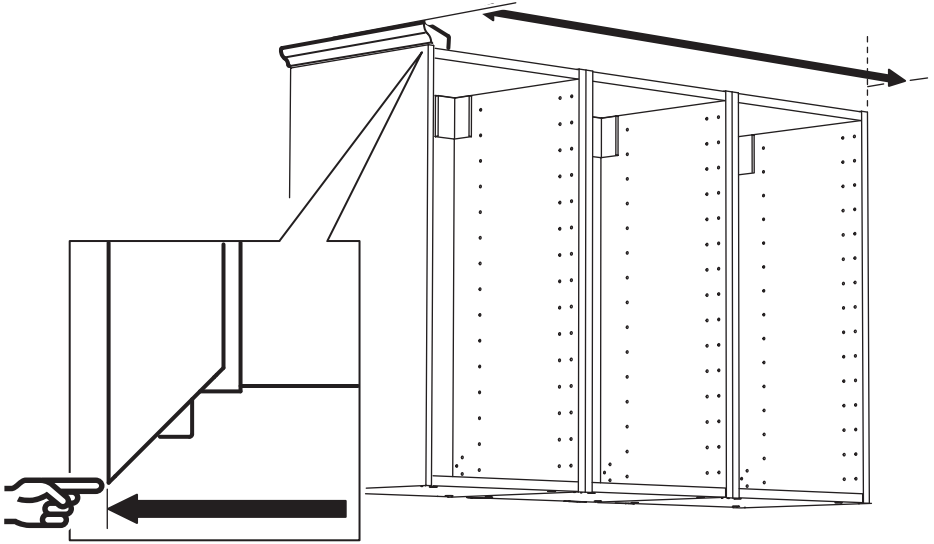
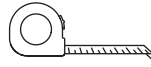


6

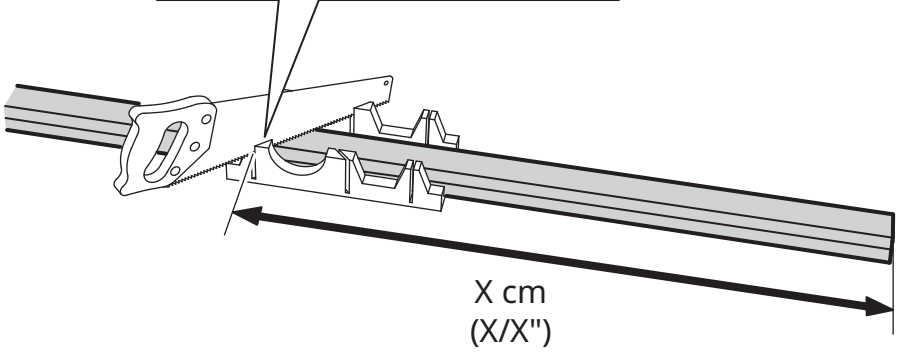
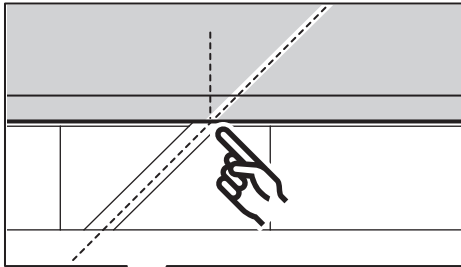


7

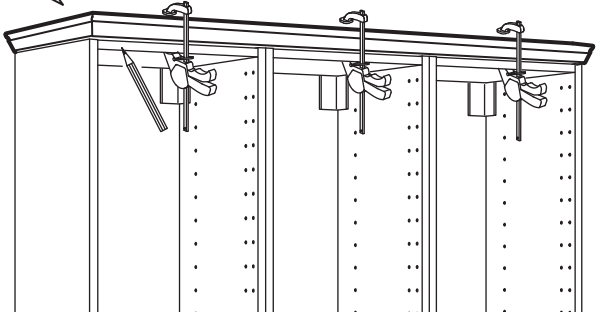
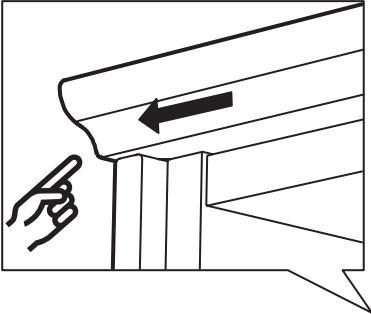
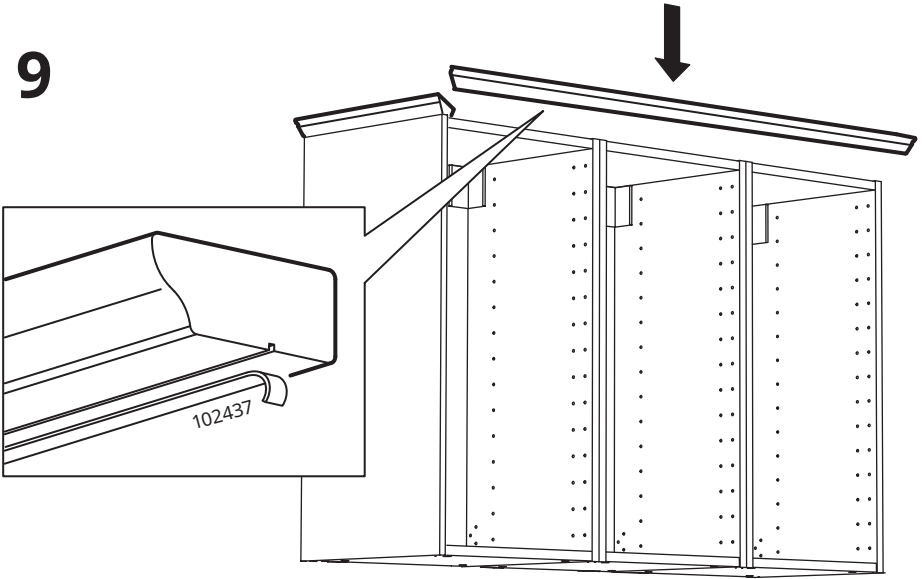
X cm  
(X/X")



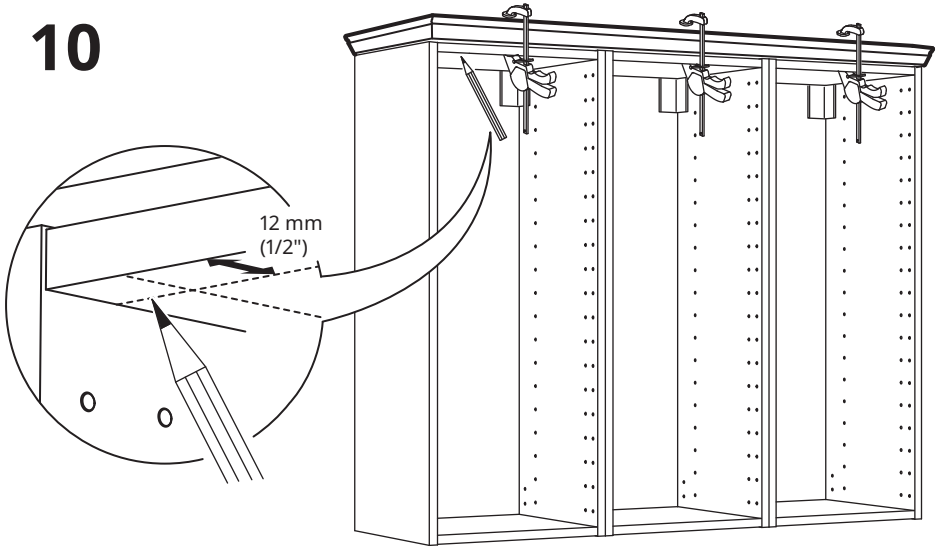
8



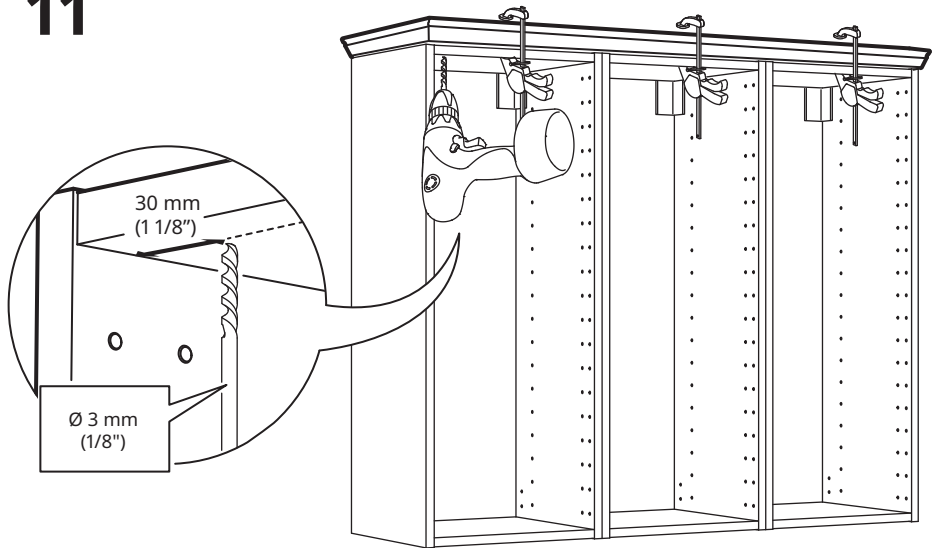
9



10



11



# 12

