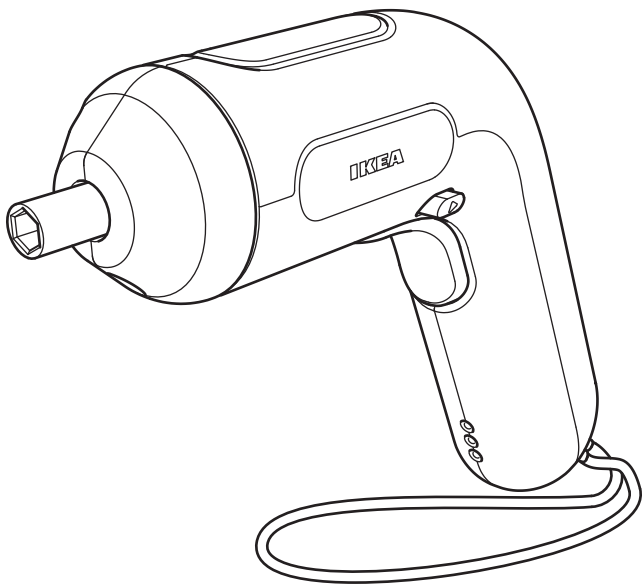
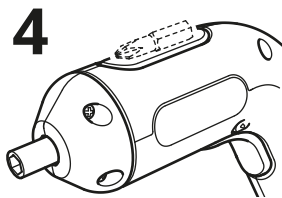
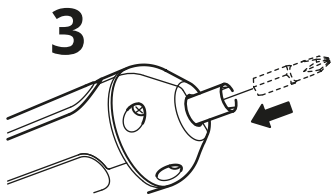
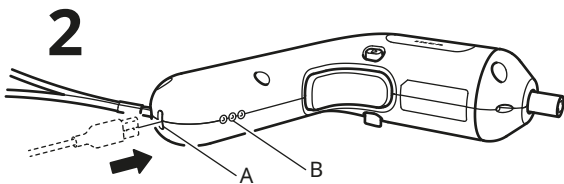
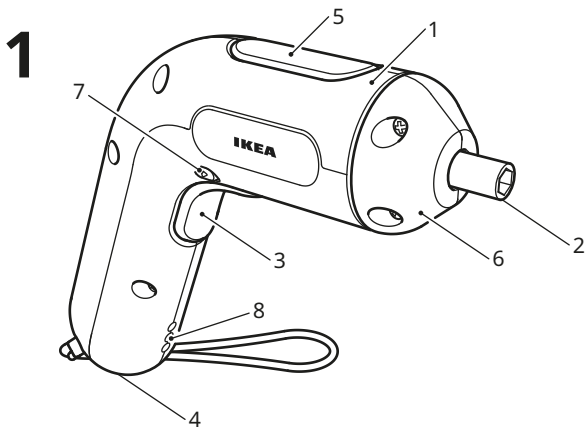


# TRIXIG



Design and Quality  
IKEA of Sweden



<b>English</b>	<b>Original instructions</b>	<b>4</b>
<b>Español</b>	<b>Instrucciones originales</b>	<b>11</b>
<b>Portugues</b>	<b>Instruções originais</b>	<b>19</b>
<b>中文</b>	<b>最初说明</b>	<b>27</b>
<b>繁中</b>	<b>原使用說明</b>	<b>33</b>
<b>한국어</b>	<b>설명서 원문</b>	<b>39</b>
<b>日本語</b>	<b>説明書の原文</b>	<b>45</b>
<b>Bahasa Indonesia</b>	<b>Instruksi asli</b>	<b>52</b>
<b>Bahasa Malaysia</b>	<b>Arahan asal</b>	<b>60</b>
<b>عربي</b>	<b>التعليمات الأصلية</b>	<b>69</b>
<b>ไทย</b>	<b>คำแนะนำการใช้งาน</b>	<b>75</b>
<b>Tiếng Việt</b>	<b>hướng dẫn gốc</b>	<b>82</b>

# English

## TRIXIG Cordless screwdriver 3.6V

### TECHNICAL SPECIFICATIONS

**Model:** TRIXIG

**Type:** P2201

**Voltage:** 3.6 Vdc

**Battery type:** 1.5 Ah/5.4Wh Lithium-Ion

**Charging time:** <300 Min

**Max. hard torque:** approx. 5 Nm

**Max no load speed:** 200/min

**Bit holder:** 6.35 mm (1/4")

**Vibration (according to EN 62841-1, EN 62841-2-2):**

Screwdriving without impact:  $a_h=0.34 \text{ m/s}^2$ ,  $K=1.5 \text{ m/s}^2$ .

**Noise (according to EN 62841-1):**

Noise pressure level  $L_{pA} = 59 \text{ dB (A)}$ ,  $K_{pA} = 3 \text{ dB (A)}$

Noise power level  $L_{wA} = 70 \text{ dB (A)}$ ,  $K_{wA} = 3 \text{ dB (A)}$

### INDOOR USE ONLY.

### Recommended charging ratings:

5.0V d.c. / 1.0-3.0A (type C), charging temperature 0-50°C

### Product features

The numbering of the product features shown refers to the illustration no. 1 on the graphic page.

1. Screwdriver main body
2. Screwdriver bit holder
3. ON/OFF switch
4. USB-C charging socket
5. Magnetic bit holder
6. LED work light
7. Rotation direction switch
8. LED power status indicator

### NOTE!

USB-C cable and USB charger are not included.

### AREAS OF USE

The electric screwdriver is suitable for the insertion and removal of screws.

The tool is to be used only for its prescribed purpose. Any other use is deemed to be a case of misuse.

### GENERAL SAFETY INSTRUCTIONS

#### General safety instructions for power tools



**WARNING! Read all safety warnings, instructions, illustrations and specifications provided with this power tool.** Failure to follow all instructions listed below may result in electric shock, fire and/or serious injury.

## Save all warnings and instructions for future reference

The term "power tool" in the warnings refers to your mains-operated (corded) power tool or battery-operated (cordless) power tool.

### Work area safety

- a. **Keep work area clean and well lit.** Cluttered and dark areas invite accidents.
- b. **Do not operate power tools in explosive atmospheres, such as in the presence of flammable liquids, gasses or dust.** Power tools create sparks which may ignite the dust of fumes.
- c. **Keep children and bystanders away while operating a power tool.** Distractions can cause you to lose control.

### Electrical safety

- a. **Power tool plugs must match the outlet. Never modify the plug in any way. Do not use any adapter plugs with earthed (grounded) power tools.** Unmodified plugs and matching outlets will reduce risk of electric shock.
- b. **Avoid body contact with earthed or grounded surfaces such as pipes, radiators, ranges and refrigerators.** There is an increased risk of electric shock if your body is earthed or grounded.
- c. **Do not expose power tools to rain or wet conditions.** Water entering a power tool will increase the risk of electric shock.
- d. **Do not abuse the cord. Never use the cord for carrying, pulling or unplugging the power tool. Keep the cord away from heat, oil, sharp edges or moving parts.** Damaged or entangled cords increase the risk of electric shock.
- e. **When operating a power tool outdoors, use an extension cord suitable for outdoor use.** Use of a cord suitable for outdoor use reduces the risk of electric shock.
- f. **If operating a power tool in a damp location is unavoidable, use a residual current device (RCD) protected supply.** Use of an RCD reduces the risk of electric shock.

### Personal safety

- a. **Stay alert, watch what you are doing and use common sense when operating a power tool. Do not use a power tool while you are tired or under the influence of drugs, alcohol or medication.** A moment of inattention while operating power tools may result in serious personal injury.
- b. **Use personal protective equipment. Always wear eye protection.** Protective equipment such as dust mask, non-skid safety shoes, hard hat, or hearing protection used for appropriate conditions will reduce personal injuries.
- c. **Prevent unintentional starting: Ensure that the switch is in the off-position before connecting to power source and/or battery pack, picking up or carrying the tool.** Carrying power tools with your finger on the switch or plugging in power tools that have the switch on invites accidents.
- d. **Remove any adjusting key or wrench before turning the power tool on.** A wrench or a key left attached to a rotating part of the power tool may result in personal injury.
- e. **Do not overreach. Keep proper footing and balance at all times.** This enables better control of the power tool in unexpected situations.
- f. **Dress properly. Do not wear loose clothing or jewellery. Keep your hair, clothing and gloves away from moving parts.** Loose clothes, jewellery or long hair can be caught in moving parts.
- g. **If devices are provided for the connection of dust extraction and collection facilities, ensure these are connected and properly used.** Use of these devices can reduce dust related hazards.
- h. **Do not let familiarity gained from frequent use of tools allow you to become complacent and ignore tool safety principles.** A careless action can cause severe injury within a fraction of a second.

### Power tool use and care

- a. **Do not force the power tool. Use the correct power tool for your application.** The correct power tool will do the job better and safer at the rate for which it was designed.
- b. **Do not use the power tool if the switch does not turn it on and off.** Any power tool that cannot be controlled with the switch is dangerous and must be repaired.
- c. **Disconnect the plug from the power source and/or the battery pack before making any adjustments, changing accessories, or storing power tools.** Such preventive safety measures reduce the risk of starting the power tool accidentally.
- d. **Store idle power tools out of the reach of children and do not allow persons unfamiliar with the power tool or these instructions to operate the power tool.** Power tools are dangerous in the hands of untrained users.
- e. **Maintain power tools. Check for misalignment or binding of moving parts, breakage of parts and any other condition that may affect the power tool's operation. If damaged, have the power tool repaired before use.** Many accidents are caused by poorly maintained power tools.
- f. **Keep cutting tools sharp and clean.** Properly maintained cutting tools with sharp cutting edges are less likely to bind and are easier to control.
- g. **Use the power tool, accessories and tool bits etc., in accordance with these instructions and in the manner intended for the particular type of power tool, taking into account the working conditions and the work to be performed.** Use of the power tool for operations different from those intended could result in a hazardous situation.
- h. **Keep handles and grasping surfaces dry, clean and free from oil and grease.** Slippery handles and grasping surfaces do not allow for safe handling and control of the tool in unexpected situations.

### Battery tool use and care

- a. **Recharge only with the charger specified by the manufacturer.** A charger that is suitable for one type of battery pack may create a risk of fire when used with another battery pack.
- b. **Use power tools only with specifically designated battery packs.** Use of any other battery packs may create a risk of injury and fire.
- c. **When battery pack is not in use, keep it away from other metal objects, like paperclips, coins, keys, nails, screws or other small metal objects that can make a connection from one terminal to another.** Shorting the battery terminals together may cause burns or a fire.
- d. **Under abusive conditions, liquid may be ejected from the battery; avoid contact. If contact accidentally occurs, flush with water. If liquid contacts eyes, additionally seek medical help.** Liquid ejected from the battery may cause irritation or burns.
- e. **Do not use a battery pack or tool that is damaged or modified.** Damaged or modified batteries may exhibit unpredictable behaviour, resulting in fire, explosion or risk of injury.
- f. **Do not expose a battery pack or tool to fire or excessive temperatures.** Exposure to fire or a temperature above 130 °C may cause an explosion.
- g. **Follow all charging instructions and do not charge the battery pack or tool outside the temperature range specified in the instructions.** Charging improperly or at temperatures outside the specified range may damage the battery and increase the risk of fire.

### Service

- a. **Have your power tool serviced by a qualified repair person using only identical replacements parts.**  
This will ensure that the safety of the power tool is maintained.
- b. **Never service damaged battery packs.** Service of battery packs should only be performed by the manufacturer or authorised service providers.

## MACHINE-SPECIFIC SAFETY INSTRUCTION

### Safety warnings for drills and screwdrivers

**Hold the power tool by the insulated gripping surfaces when performing an operation where the fastener may contact hidden wiring.** Fasteners contacting a "live" wire may make exposed metal parts of the power tool conductive and could give the operator an electric shock

**Use appropriate detectors to determine if utility lines are hidden in the work area or call your local utility company for assistance.** Contact with electric lines can lead to fire and electric shock. Damaging a gas line can lead to explosion. Penetrating a water line causes property damage or may cause an electric shock.

**Switch off the power tool immediately when the tool becomes blocked or stuck.** Be prepared for high reaction torque that can cause kickback. The tool becomes blocked when:

- the power tool is subjected to overload
- or it becomes wedged in the workpiece.

**Hold the machine with a firm grip.** High reaction torque can briefly occur while driving in and loosening screws.

**Secure the workpiece.** A workpiece clamped with clamping devices or in a vice is held more secure than by hand.

**Keep your workplace clean.** Blends of materials are particularly dangerous. Dust from light alloys can burn or explode.

**Always wait until the machine has come to a complete stop before placing it down.** The tool insert can jam and lead to loss of control over the power tool.

**Avoid unintentional switching on.** Ensure the trigger is in the off position before inserting battery pack. Carrying the power tool with your finger on the trigger or inserting the battery pack into power tools that have the switch on invites accidents.

### Safety Warnings for battery chargers



For indoor use only.

**Keep the battery charger away from rain or moisture.** Penetration of water in the battery charger increases the risk of an electric shock.

**Do not charge other batteries.** The battery charger is suitable only for charging the batteries that were supplied with your power tool. Otherwise there is danger of fire and explosion.

**Keep the battery charger clean.** Contamination can lead to danger of an electric shock.

**Before each use, check the battery charger, cable and plug. If damage is detected, do not use the battery charger. Never open the battery charger yourself. Have repairs performed only by a qualified technician.** Damaged battery chargers, cables and plugs increase the risk of an electric shock.

**Do not operate the battery charger on easily inflammable surfaces (e. g., paper, textiles, etc.) or surroundings.** The heating of the battery charger during the charging process can pose a fire hazard.

**Children should be supervised to ensure that they do not play with the battery charger.**

## VIBRATION AND NOISE INFORMATION

### Vibration and noise level

The vibration and noise emission level stated in this instruction manual has been measured in accordance with a standardised test in EN 62841. It may be used to compare one tool with another and as a preliminary assessment of exposure to vibration and noise when using the tool for the applications mentioned in this manual. However, using the tool for different applications, or with different or poorly maintained accessories, may significantly increase the exposure level.

An estimation of the level of exposure to vibration and noise should also take into account the times when the tool is switched off or when it is running but not being used, as this may significantly reduce the exposure level over the total working period. Protect yourself against the effects of vibration and noise by maintaining the tool and its accessories, keeping your hands warm and organising your work.

### Other risks

**Even when the power tool is used as prescribed, it is not possible to eliminate all other risk factors. The following hazards may arise in connection with the power tool's construction and design:**



Damage to lungs if an effective dust mask is not worn.



Damage to hearing if effective hearing protection is not worn.



Damages to health resulting from vibrations if the power tool is being used over longer period of time or not properly handled and maintained.



**WARNING!** This power tool produces an electromagnetic field during operation. Under some circumstances, this field may interfere with active or passive medical implants. To reduce the risk of serious or fatal injury, we recommend persons with medical implants to consult their physician and the medical implant manufacturer before operating this machine.



## ASSEMBLY

Before any work on the machine (e.g. maintenance, tool change, etc.) as well as during transport and storage, set rotational direction switch to the centre position. Unintentional actuation of the trigger can lead to injuries.

### Charging the screwdriver

First read the safety instructions and then follow the charging instructions.

Connect the USB-C cable end to the USB-C port (Pic. 2) (A) in the screwdriver. Then connect the other USB cable end to a USB-charger or USB-outlet that can provide sufficient power to charge the screwdriver. Make sure that there are no knots or sharp bends in the cable. When the screwdriver is connected to the electricity supply with a USB-C cable, three diodes on the screwdriver (Pic. 2) (B) light up to indicate the charging status:

- Pulsating light - charging in progress

- Steady light - charging completed

After the screwdriver's battery is fully charged and the screwdriver remains connected to power supply, the diodes will stay lit. Under normal conditions of use the screwdriver can be recharged several hundred times.

**ATTENTION!** The recharging process generates heat in the battery. It is not advisable to recharge the battery in temperatures below freezing. The battery will gradually lose its charge over a period of time, even if the tool is not used.

### NOTE!

The battery that is supplied with the screwdriver has been charged for test purposes only and must be fully recharged before first time use.

The lithium-ion battery is protected against deep discharging by the "Electronic Cell Protection (ECP)". When the battery is empty, the machine is switched off by means of a protective circuit: The inserted tool no longer rotates.



**WARNING** Do not continue to press the On/Off switch after the machine has been automatically switched off. The battery can be damaged.



**WARNING!** Recharge the battery on a non-flammable surface. Do not recharge the battery for more than eight hours.

## INSTRUCTIONS FOR USE

### Operation

This basic cordless screwdriver will accept various types and length of screwdriver bits that have a hexagonal shank that is 6.35mm (1/4") across the flats.

### Inserting the screwdriver bits (Pic.3)

Select the correct screwdriver bit for the screws being used. Insert the screwdriver bit into the screwdriver drive, ensuring that it is pushed firmly home.

**Note:** It is advisable to always drill a pilot hole when driving screws with this product.

### Switching ON and OFF

For screwdriving, squeeze the ON/OFF switch (3). Releasing the ON/OFF switch will stop the screwdriver. For screw removal and changing the rotation direction, push the rotation direction switch (7).

### Spindle Auto-Lock

The tool's spindle is automatically locked when the tool is switched off. This enables to use the screwdriver as a manual tool.

### Magnetic bit holder

You can place the bits you are currently using on the magnetic bit holder (5) on top of the screwdriver to keep them close at hand while you are working.

### LED work light

The screwdriver has a built-in LED work light to illuminate the work area. The LED work light lights up every time the trigger switch is squeezed and then turns off when the trigger switch is released.

### Maintenance and cleaning

Keep the screwdriver clean and dry at all times to ensure proper and safe operation. Wipe off any debris using a soft cloth moistened with water. Do not use any cleaning agents or solvents.

For safe and proper working, always keep the machine and ventilation slots clean.

This product is intended for domestic use in the home, not for commercial or qualified measurements carried out by professionals.

**Keep this manual for future use.**

**Manufacturer: IKEA of Sweden AB**

**Address: Box 702, SE-343 81 Älmhult, SWEDEN**



Batteries and rechargeable batteries are not household waste! As a consumer, you are required by law to dispose of all batteries and accumulators, whether they contain harmful substances\* or not, at a collection point in your municipality/neighbourhood or via a commercial entity offering battery disposal so that they can be disposed of in an environmentally sound manner.

\* marked with: Cd = cadmium, Hg = mercury, Pb = lead



The crossed-out wheeled bin symbol indicates that the item should be disposed of separately from household waste. The item should be handed in for recycling in accordance with local environmental regulations for waste disposal. By separating a marked item from household waste, you will help reduce the volume of waste sent to incinerators or land-fill and minimize any potential negative impact on human health and the environment. For more information, please contact your IKEA store.

# Español

## Atornillador sin cable TRIXIG, 3.6 V

### CARACTERÍSTICAS TÉCNICAS

**Modelo:** TRIXIG

**Tipo:** P2201

**Tensión:** 3.6 Vcc

**Tipo de batería:** 1.5 Ah/ 5.4 Wh de iones de litio

**Duración de la carga:** <300 min

**Par máximo:** aprox. 5 Nm

**Velocidad máxima de rotación en vacío:** 200/min

**Portapuntas:** 6.35 mm (1/4")

### Vibración (según las normas EN 62841-1, EN 62841-2-2):

Atornillado sin impacto:  $a_h = 0.34 \text{ m/s}^2$ ,  $K = 1.5 \text{ m/s}^2$ .

### Ruido (según la norma EN 62841-1):

Nivel de presión acústica  $L_{pA} = 59 \text{ dB (A)}$ ,  $K_{pA} = 3 \text{ dB (A)}$

Nivel de presión acústica  $L_{wA} = 70 \text{ dB (A)}$ ,  $K_{wA} = 3 \text{ dB (A)}$

### SOLO PARA INTERIOR.

### Clasificaciones de carga recomendadas:

5.0 Vcc / 1.0-3.0 A (tipo C), temperatura de carga 0-50 °C

### Componentes del producto

La numeración de las características del producto mostrada hace referencia a la ilustración n.º 1 de la página gráfica.

1. Cuerpo principal del destornillador
2. Soporte de broca del destornillador
3. Interruptor ON/OFF de encendido/apagado
4. Toma de carga USB-C
5. Soporte de broca magnético
6. Luz de funcionamiento LED
7. Interruptor de dirección de rotación
8. Indicador LED del estado del nivel de carga

### ¡NOTA!

El cable USB-C y el cargador USB no están incluidos.

### ÁREAS DE USO

Este destornillador eléctrico es apto para introducir y extraer tornillos.

La herramienta debe usarse solo para el propósito previsto. Cualquier otro uso se considera un caso de uso indebido.

## INSTRUCCIONES DE SEGURIDAD GENERALES

### Instrucciones de seguridad generales



**¡ADVERTENCIA!** Lea todas las advertencias de seguridad, instrucciones, ilustraciones y especificaciones proporcionadas junto con esta herramienta eléctrica. El incumplimiento de las instrucciones enumeradas a continuación puede provocar descargas eléctricas, incendio y/o lesiones graves.

**Guarde todas las advertencias e instrucciones para consulta futura.**

El término "herramienta eléctrica" en las advertencias hace referencia a la herramienta eléctrica que funciona conectada a la red eléctrica (con cable) o a la herramienta eléctrica que funciona con batería (inalámbrica).

#### Seguridad eléctrica

- El enchufe de la herramienta eléctrica debe encajar en la toma de corriente. Nunca modifique el enchufe. No utilice adaptadores en herramientas eléctricas con toma de tierra.** La utilización de enchufes sin alterar y de tomas de corrientes adaptadas reduce el riesgo de descarga eléctrica.
- Evita tocar con el cuerpo superficies con toma de tierra como tuberías, radiadores, hornos y frigoríficos.** El riesgo de descarga eléctrica aumenta cuando el cuerpo está en contacto con la tierra.
- No expongas las herramientas eléctricas a la lluvia o a la humedad.** Si el agua penetra en la herramienta eléctrica, aumenta el riesgo de descarga eléctrica.
- Utiliza correctamente el cable. Nunca uses el cable para transportar, tirar o desenchufar la herramienta.** Aleja el cable del calor, del aceite, de partes móviles o punzantes. Los cables dañados o enredados aumentan el riesgo de descarga eléctrica.
- Cuando utilices la herramienta eléctrica en el exterior, usa cables de prolongación aptos para exteriores.** Utilizando cables aptos para uso en exteriores, se reduce el riesgo de descarga eléctrica.
- Si fuese imprescindible utilizar la herramienta eléctrica en un entorno húmedo, es necesario conectarla a través de dispositivo de corriente residual (DCR).** El uso de un DCR reduce el riesgo de descarga eléctrica.

#### Seguridad personal

- Cuando utilices herramientas eléctricas, presta siempre la máxima atención, concéntrate en las operaciones que estás efectuando y aplica el sentido común. No utilices herramientas eléctricas cuando estés cansado, bajos los efectos de las drogas, del alcohol o de medicamentos.** Un momento de distracción durante la utilización de la herramienta, puede causar graves daños personales.
- Utiliza equipos de protección personal.** Ponte siempre protección en los ojos. La utilización de equipos de protección como máscara para el polvo, calzado de seguridad antideslizante, casco o protección para los oídos en las condiciones adecuadas, reduce el riesgo de eventuales daños personales.
- Evita la puesta en marcha accidental. Comprueba que el interruptor esté desconectado antes de conectarla a la toma de corriente y/o acumulador.** Si transportas la herramienta eléctrica sujetándola por el interruptor o conectas la herramienta cuando el interruptor está en la posición de conexión, es posible que se produzcan accidentes.

- d. **Antes de encender la herramienta**, quita cualquier llave de regulación ya que podría causar daños, si permanece unida a alguna parte rotatoria de la herramienta.
- e. **No te balancees**. Mantén siempre una postura y equilibrio correctos, porque te permite controlar mejor la herramienta en situaciones imprevistas.
- f. **Viste una indumentaria adecuada. No lèves joyas ni prendas demasiado amplias**. Mantén el cabello, los guantes y la ropa alejada de las partes en movimiento. Las prendas amplias, las joyas y el cabello podrían engancharse en las partes móviles.
- g. **Si se proporcionan dispositivos para conexión y aparatos para extracción y recogida del polvo, comprueba que están conectados y se utilizan correctamente**. El uso de estos dispositivos reduce el riesgo de los daños causados por el polvo.
- h. **Aunque utilices a menudo este tipo de herramientas, manipúlala con cuidado y respeta las normas de seguridad**. Un mal uso o un instante de falta de atención pueden provocar heridas graves en una milésima de segundo.

### Uso y mantenimiento de la herramienta

- a. **No fuerces las herramientas eléctricas. Utiliza la herramienta adecuada para cada tarea**. La herramienta eléctrica correcta te permite trabajar de forma más eficiente y segura.
- b. **No utilices la herramienta eléctrica si el interruptor no se enciende y apaga**. Cualquier herramienta que el interruptor no controle es peligrosa y debe repararse.
- c. **Desenchufa el aparato y/o desmonta el acumulador antes de regular la herramienta, cambiar un accesorio o guardar el dispositivo**. Estas medidas de seguridad preventivas reducen el riesgo de puesta en marcha accidental del aparato.
- d. **Guarda las herramientas eléctricas fuera del alcance de los niños. No permitas que utilicen estos dispositivos personas que desconocen las herramientas y su funcionamiento**. Una herramienta eléctrica es un peligro en manos de personas inexpertas.
- e. **Cuida la herramienta eléctrica con esmero. Controla si funcionan correctamente, sin atascarse, las partes móviles de la herramienta eléctrica, y si existen partes rotas o deterioradas que pudieran afectar al funcionamiento de la herramienta eléctrica**. Haz reparar estas piezas defectuosas antes de volver a utilizar la herramienta eléctrica. Muchos accidentes se deben a herramientas eléctricas con un mantenimiento deficiente.
- f. **Mantén los útiles limpios y afilados**. Los útiles mantenidos correctamente se dejan guiar y controlar mejor.
- g. **Utiliza la herramienta eléctrica, accesorios, útiles, etc. de acuerdo a estas instrucciones, considerando las condiciones de trabajo y la tarea a realizar**. El uso de herramientas eléctricas para trabajos diferentes de aquellos para los que han sido concebidas puede resultar peligroso.
- h. **Mantén los mangos y las superficies de agarre bien secas, limpias y sin grasa ni aceite**. Las superficies de agarre y los mangos resbaladizos no permiten la manipulación segura y el buen control de la herramienta en caso de situaciones imprevistas.

### Uso y mantenimiento de los acumuladores

- a. **Cargar solamente los acumuladores con el cargador especificado por el fabricante**. Existe riesgo de incendio al intentar cargar acumuladores de un tipo diferente al previsto para el cargador.
- b. **Utiliza solo los acumuladores diseñados específicamente para la herramienta eléctrica**. El uso de otro tipo de acumuladores puede provocar daños e incendios.
- c. **Si no utilizas el acumulador, guárdalo separado de clips, monedas, llaves, tornillos, clavos u otros objetos metálicos que puedan crear la conexión entre terminales**. El cortocircuito de los contactos del acumulador puede causar quemaduras o un incendio.
- d. **El uso inadecuado del acumulador puede provocar fugas de líquido. Evita el contacto con el mismo. En caso de contacto accidental enjuaga con agua limpia. Si el líquido entra en contacto con los ojos, recurre inmediatamente a un médico**. El líquido del acumulador puede provocar quemaduras e irritación.

- e. **No utilice una batería o herramienta que esté dañada o haya sido modificada.** Las baterías dañadas o modificadas pueden presentar un comportamiento impredecible, que provoque incendio, explosión o riesgo de lesiones.
- f. **No exponga la batería o herramienta al fuego o a temperaturas excesivas.** La exposición al fuego o a una temperatura superior a 130 °C puede provocar una explosión.
- g. **Siga todas las instrucciones de carga y no cargue la batería o la herramienta fuera del rango de temperatura especificado en las instrucciones.** La carga incorrecta o a temperaturas fuera del rango especificado puede dañar la batería y aumentar el riesgo de incendio.

### Servicio

- a. **Haz reparar la herramienta eléctrica sólo por un profesional, empleando exclusivamente piezas de repuesto originales.**  
Así se mantiene la seguridad de la herramienta eléctrica.
- b. **Nunca repare baterías dañadas.** La reparación de baterías solo debe ser realizada por el fabricante o los proveedores de servicios autorizados.

## INSTRUCCIONES DE SEGURIDAD ESPECÍFICAS DEL APARATO

### Seguridad para taladros/destornilladores

**Sujete la herramienta eléctrica por las superficies de agarre aisladas cuando realice una tarea durante la cual el sujetador pueda entrar en contacto con cableado oculto.** Si los sujetadores entran en contacto con un cable con corriente, pueden hacer que las partes metálicas expuestas de la herramienta eléctrica sean conductoras y podrían provocar una descarga eléctrica al operario.

**Utiliza aparatos de exploración adecuados para detectar conductores o tuberías ocultas, o consulta a las empresas de suministro local.** El contacto con conductores eléctricos puede provocar un incendio o una descarga eléctrica. Dañar una tubería de gas puede producir una explosión. La perforación de una tubería de agua puede causar daños materiales o una descarga eléctrica.

Apague inmediatamente la herramienta eléctrica cuando se bloquee o atasque. Prepárese para un par de reacción elevado que pueda provocar retroceso. La herramienta se bloquea cuando:

- la herramienta eléctrica se somete a sobrecarga
- o se atasca en la pieza de trabajo.

**Sujeta la herramienta con firmeza.** Al apretar o aflojar tornillos se puede producir una elevada fuerza de reacción.

**Asegura la pieza de trabajo.** Una pieza de trabajo fijada con dispositivos de sujeción o en un tornillo de banco se mantiene sujeta de forma mucho más segura que con la mano.

**Mantén limpio el puesto de trabajo.** La mezcla de diversos materiales es especialmente peligrosa. Las aleaciones ligeras en polvo pueden arder o explotar.

**Antes de depositarla, espera a que se haya detenido por completo la herramienta.** El útil puede engancharse y hacerte perder el control sobre la herramienta eléctrica.

**Evita una puesta en marcha fortuita.** Antes de montar el acumulador, comprueba que el interruptor esté en la posición de desconexión. El transporte de la herramienta sujetándola por el interruptor o la inserción del acumulador estando conectada la herramienta puede provocar un accidente.

## Instrucciones de seguridad para cargadores



Usar únicamente en el interior.

**No expongas la herramienta eléctrica a la lluvia o humedad.** Existe el peligro de recibir una descarga eléctrica si penetra el agua en el cargador.

**No cargues otro tipo de acumuladores.** El cargador es adecuado solo para cargar los acumuladores que se suministran con la herramienta eléctrica. En caso contrario existe el riesgo de provocar un incendio o explosión.

**Mantén limpio el cargador,** ya que la suciedad puede provocar una descarga eléctrica.

**Antes de cada uso, comprueba el cargador, el cable y el enchufe. Si uno de estos elementos no estuviera en buen estado, no utilices el cargador.** Nunca abras el acumulador. Haz reparar la herramienta solo por técnicos cualificados. Los cargadores, cables y enchufes en mal estado aumentan el riesgo de descarga eléctrica.

**No manipules el cargador sobre superficies que se inflamen con facilidad (p. ej. sobre papel, tejido, etc.).** El calor que desprende el cargador durante el proceso de carga puede crear un riesgo de incendio.

**Se debe supervisar a los niños para asegurar que no juegan con el cargador.**

## INFORMACIÓN SOBRE VIBRACIONES Y RUIDOS

### Nivel de ruido y vibración

El nivel de emisión de ruido y vibración indicado en este manual de instrucciones se ha medido de conformidad con una prueba estandarizada en EN 62841. Se puede utilizar para comparar una herramienta con otra y como evaluación preliminar de la exposición a vibraciones y ruidos cuando se utiliza la herramienta para las aplicaciones mencionadas en este manual. No obstante, el uso de la herramienta para aplicaciones diferentes, o con accesorios distintos o sometidos a un mantenimiento deficiente, puede aumentar significativamente el nivel de exposición.

Una estimación del nivel de exposición a las vibraciones y al ruido también debe tener en cuenta los momentos en que la herramienta está apagada o cuando está en marcha pero no se utiliza, ya que esto puede reducir significativamente el nivel de exposición durante todo el período de trabajo. Protéjase frente a los efectos de la vibración y el ruido con un buen mantenimiento de la herramienta y sus accesorios, manteniendo las manos calientes y organizando bien su trabajo.

### Otros riesgos

**Incluso cuando la herramienta eléctrica se utilice según lo prescrito, no es posible eliminar todos los demás factores de riesgo. Los peligros siguientes pueden presentarse en relación con la fabricación y el diseño de la herramienta eléctrica:**



Daños en los pulmones si no se utiliza una mascarilla eficaz contra el polvo.



Daños auditivos si no se utiliza protección auditiva eficaz.



Daños en la salud como resultado de las vibraciones si la herramienta eléctrica se utiliza durante un período de tiempo prolongado o no se manipula y mantiene de manera adecuada.



**¡ADVERTENCIA!** Esta herramienta eléctrica produce un campo electromagnético durante su funcionamiento. En algunas circunstancias, este campo puede interferir con implantes médicos activos o pasivos. Para reducir el riesgo de lesiones graves o letales, recomendamos a las personas con implantes médicos que consulten a su médico y al fabricante del implante médico antes de hacer funcionar esta máquina.

## MONTAJE

Antes de realizar cualquier tarea con la herramienta (mantenimiento, cambio de accesorios, etc.), o en caso de transporte y almacenamiento, coloca el selector de sentido de giro en la posición central. El accionamiento accidental del interruptor puede causar lesiones.

## Carga del atornillador

Lea primero las instrucciones de seguridad y luego siga las instrucciones de carga. Conecte el extremo del cable USB-C al puerto USB-C (fig. 2) (A) del destornillador. A continuación, conecte el otro extremo del cable USB a un cargador USB o una toma USB que pueda proporcionar potencia suficiente como para cargar el destornillador. Asegúrese de que el cable no tenga nudos ni dobleces extremas.

Cuando el destornillador está conectado a la fuente de alimentación con un cable USB-C, se encienden tres diodos en el destornillador (fig. 2) (B) para indicar el estado de carga:

- Luz intermitente: carga en curso

- Luz fija: carga completada

Una vez que la batería del destornillador esté completamente cargada y mientras el destornillador permanezca

conectado a la fuente de alimentación, los diodos permanecerán encendidos. En condiciones normales de uso, el destornillador se puede recargar varios centenares de veces.

**ATENCIÓN:** La batería se calienta durante la recarga. Se desaconseja cargar la batería a temperaturas bajo cero. La batería se descarga progresivamente a lo largo del tiempo, aunque no se utilice la herramienta.

**NOTA:** La batería que se suministra con el atornillador está parcialmente cargada para poder hacer comprobaciones, pero debe cargarse por completo antes de utilizarse por primera vez.



El sistema de protección electrónica de celdas (ECP) evita que la batería de iones de litio se descargue por completo. Cuando la batería se vacía, la herramienta se detiene gracias a un circuito de protección: ningún accesorio insertado puede girar.



**ADVERTENCIA:** No continúes presionando el interruptor de encendido/apagado después de que la herramienta se haya desconectado automáticamente. La batería podría dañarse.



**ADVERTENCIA:** Recarga la batería sobre una superficie no inflamable. No cargues la batería durante más de ocho horas.

## INSTRUCCIONES DE USO

### Funcionamiento

Este destornillador sin cables básico se adapta a cabezales de distintos tipos y distintas longitudes que tengan una espiga hexagonal de 6,35 mm entre las superficies planas.

### Cómo insertar las brocas (dib. 3)

Seleccionar el cabezal adecuado para los tornillos que se van a utilizar. Introducir el cabezal en el destornillador, cerciorándose de que quede firmemente sujeto. Nota: al atornillar tornillos con este destornillador, siempre es recomendable hacer un taladro de prueba.

### Encendido y apagado

Para atornillar, pulse el interruptor ON/OFF (3). Al soltar el interruptor ON/OFF, el destornillador se detendrá. Para quitar un tornillo y cambiar la dirección de rotación, pulse el interruptor de dirección de rotación (7).

### Eje con autobloqueo

El eje de la herramienta se bloquea automáticamente cuando se apaga y permite que se utilice el destornillador de forma manual.

### Soporte magnético

Puedes colocar las puntas que quieras usar en el soporte magnético (5) encima del atornillador para tenerlas a mano cuando estés usándolo.

### Luz LED

El atornillador cuenta con una luz LED integrada para iluminar la zona de trabajo. La luz LED se enciende cada vez que se aprieta el interruptor de encendido y se apaga cuando se suelta.

### Mantenimiento y limpieza

Mantén siempre limpio y seco el atornillador para trabajar de forma segura y eficaz. Límpialo con un paño suave humedecido para eliminar cualquier resto. No utilices detergentes ni disolventes.

Mantén limpia la herramienta y las aberturas de ventilación para trabajar con eficacia y seguridad.

Este producto se ha diseñado para uso doméstico, no para uso comercial ni para realizar mediciones en el ámbito profesional.

**Conserva este manual para futuras consultas.**

**Fabricante: IKEA of Sweden AB**

**Dirección: Box 702, SE-343 81 Älmhult (SUECIA).**



Las pilas y baterías recargables no son residuos domésticos. Como consumidor, la ley le exige que deseche todas las pilas y acumuladores, tanto si contienen sustancias nocivas\* como si no, en un punto de recogida de su municipio/localidad o a través de una entidad comercial que ofrezca eliminación de baterías, para que puedan eliminarse de manera ambientalmente responsable.

\* marcadas con: Cd = cadmio, Hg = mercurio, Pb = plomo



La imagen del cubo de basura tachado indica que el producto no debe formar parte de los residuos habituales del hogar. Se debe reciclar según la normativa local medioambiental de eliminación de residuos. Cuando separas los productos que llevan esta imagen, contribuyes a reducir el volumen de residuos que se incineran o se envían a vertederos y minimizas el impacto negativo sobre la salud y el medio ambiente. Para más información, ponte en contacto con tu tienda IKEA.

# Portugues

## Chave de parafusos sem fios TRIXIG de 3.6V

### ESPECIFICAÇÕES TÉCNICAS

**Modelo:** TRIXIG

**Tipo:** P2201

**Tensão:** 3.6 Vcc

**Tipo de bateria:** 1.5 Ah/ 5.4 Wh íões de lítio

**Tempo de carregamento:** <300 Min

**Rotação máx:** aprox. 5 Nm

**Velocidade máx. em vazio:** 200/min

**Suporte de broca:** 6.35 mm (1/4")

### Vibração (em conformidade com EN 62841-1, EN 62841-2-2)

Aparafusamento sem impacto:  $ah=0.34m/s^2$ ,  $K=1.5m/s^2$ .

### Ruído (em conformidade com EN 62841-1)

Nível de pressão de ruído  $L_{pA} = 59dB (A)$ ,  $K_{pA} = 3dB (A)$

Nível de pressão de ruído  $L_{wA} = 70dB (A)$ ,  $K_{wA} = 3dB (A)$

### APENAS PARA USO NO INTERIOR.

### Classificações de carregamento recomendadas:

5.0 Vcc / 1.0-3.0A (tipo C), temperatura de carregamento 0-50°C

### Caraterísticas do produto

A numeração das funcionalidades do produto mostradas refere-se à ilustração n.º 1 na página com a imagem.

1. Corpo principal da chave de fendas
2. Suporte de brocas de chave de fendas
3. Interruptor LIGAR/DESLIGAR
4. Tomada de carregamento USB-C
5. Suporte de broca magnética
6. Luz de trabalho LED
7. Interruptor de direção da rotação
8. Indicador LED do estado do nível de carga

### OBSERVAÇÃO!

O cabo USB-C e o carregador USB não estão incluídos.

### ÁREAS DE UTILIZAÇÃO

O aparafusador eléctrico é próprio para a introdução e remoção de parafusos.

A ferramenta deve ser utilizada apenas para a finalidade indicada. Qualquer outra utilização é considerada um caso de uso indevido.

## INSTRUÇÕES GERAIS DE SEGURANÇA

### Instruções gerais de segurança



**AVISO!** Leia todas as advertências de segurança, instruções, ilustrações e especificações fornecidas com esta ferramenta eléctrica. O não cumprimento de todas as instruções abaixo indicadas pode resultar em choque eléctrico, incêndio e/ou ferimentos graves.

### Guarde todas as advertências e instruções para referência futura

O termo "ferramenta eléctrica" nos avisos refere-se à sua ferramenta eléctrica com cabo para ligar à rede eléctrica ou à ferramenta eléctrica operada por bateria (sem fios).

### Segurança da área de trabalho

- Mantenha a área de trabalho arrumada e bem iluminada.** Áreas desorganizadas e mal iluminadas são mais propícias a acidentes.
- Não utilize ferramentas eléctricas em ambientes explosivos, nem na presença de líquidos inflamáveis, gases e pó.** As ferramentas eléctricas produzem faíscas que podem inflamar o pó dos vapores.
- Mantenha as crianças e as pessoas presentes afastadas enquanto utiliza uma ferramenta eléctrica.** As distrações podem fazer com que perca o controlo.

### Segurança eléctrica

- As fichas de ferramentas eléctricas devem encaixar na tomada. Nunca modifique a ficha. Não use adaptadores de ficha em ferramentas eléctricas com ligação à terra.** As fichas não modificadas e as tomadas correspondentes reduzirão o risco de choque eléctrico.
- Evite o contacto com superfícies com ligação à terra, tais como tubos, radiadores, extensões e frigoríficos.** Existe um aumento do risco de choque eléctrico se o seu corpo estiver ligado à terra.
- Não exponha ferramentas eléctricas à chuva ou humidade.** A entrada de água na ferramenta aumentará o risco de choque eléctrico.
- Não force o cabo. Nunca use o cabo para carregar, puxar ou desligar a ferramenta.** Mantenha o cabo longe do calor, óleo, extremidades afiadas ou partes móveis. Os cabos danificados ou emaranhados aumentam o risco de choque eléctrico.
- Ao utilizar ferramentas eléctricas ao ar livre, use um cabo de extensão apropriado para uso no exterior.** O uso de um cabo apropriado para áreas exteriores reduz o risco de choque eléctrico.
- Se for imprescindível utilizar a ferramenta eléctrica num local húmido, é necessário ligá-la através de um dispositivo de protecção diferencial residual (RCD).** A utilização de um RCD reduz o risco de choque eléctrico.

### Segurança pessoal

- Fique atento, observe o que está a fazer e use o bom senso ao utilizar uma ferramenta eléctrica. Não utilize uma ferramenta eléctrica quando estiver cansado ou sob a influência de drogas, álcool ou medicamentos.** Um momento de desatenção enquanto utiliza uma ferramenta eléctrica pode resultar numa lesão corporal grave.
- Use equipamento de segurança. Use sempre óculos de protecção.** O equipamento de segurança como máscara contra pó, sapatos de segurança antiderrapantes, capacete ou protecção auricular usados em condições apropriadas reduzirão os ferimentos pessoais.

- c. **Evite ligações acidentais. Verifique se o interruptor está na posição de desligado antes de ligar a ferramenta à electricidade e/ou à bateria, de lhe pegar ou de a transportar.** Pegar em ferramentas eléctricas com o dedo no interruptor ou ligar à electricidade ferramentas com o interruptor ligado é propício a acidentes.
- d. **Remova qualquer chave de ajuste antes de ligar a ferramenta eléctrica,** já que se estiver ligada a uma parte rotativa da ferramenta pode provocar lesões corporais.
- e. **Não se estique. Mantenha sempre os pés firmes e o equilíbrio.** Isso permite-lhe controlar melhor a ferramenta em situações inesperadas.
- f. **Utilize vestuário adequado. Não use roupas largas nem jóias. Mantenha o cabelo, roupas e luvas afastados das peças móveis.** Roupas largas, jóias ou cabelo comprido podem ficar presos nas peças móveis.
- g. **Se forem fornecidos dispositivos para ligação a instalações de extracção e recolha de pó, garanta que estas estão ligadas e são usadas correctamente.** O uso destes dispositivos pode reduzir os riscos relacionados com o pó.
- h. **A confiança que se ganha após um uso frequente das ferramentas não deve levar a uma utilização negligente nem a ignorar os princípios de segurança.** Um ato desatento pode causar lesões graves numa fração de segundos.

### Instruções de utilização e manutenção

- a. **Não force a ferramenta eléctrica. Use a ferramenta eléctrica correcta para a sua aplicação.** A ferramenta eléctrica correcta fará melhor o trabalho e de forma mais segura para o que foi concebida.
- b. **Não use a ferramenta eléctrica se o interruptor não ligar e desligar.** Qualquer ferramenta eléctrica que não possa ser controlada com o interruptor é perigosa e deve ser reparada.
- c. **Desligue a ficha da tomada e/ou da bateria antes de fazer quaisquer ajustes, trocar acessórios ou guardar ferramentas eléctricas.** Tais medidas de segurança preventivas reduzem o risco de ligar a ferramenta eléctrica acidentalmente.
- d. **Guarde as ferramentas eléctricas fora do alcance das crianças e não permita que pessoas não familiarizadas com a mesma ou com estas instruções a utilizem.** As ferramentas eléctricas são perigosas nas mãos de utilizadores inexperientes.
- e. **Faça a manutenção das ferramentas eléctricas.** Verifique se há desalinhamento de peças móveis, quebra de peças ou qualquer outra condição que possa afectar o funcionamento da ferramenta eléctrica. Se estiver danificada, a ferramenta eléctrica deve ser reparada antes de ser usada. Muitos acidentes são causados por ferramentas eléctricas sem manutenção.
- f. **Mantenha as ferramentas de corte sempre afiadas e limpas.** Ferramentas de corte com lâminas afiadas sujeitas a manutenção são menos propensas a dobrar e são mais fáceis de controlar.
- g. **Utilize a ferramenta eléctrica, acessórios, brocas, etc., de acordo com as instruções e da forma pretendida para o determinado tipo de ferramenta, tendo em conta as condições de trabalho e o trabalho a realizar.** A utilização da ferramenta eléctrica para operações diferentes das concebidas pode resultar em situações perigosas.
- h. **Mantenha as pegas e as superfícies de contacto secas, limpas e sem restos de óleo e gordura.** As pegas e as superfícies de contacto escorregadias inviabilizam um manuseamento seguro e o controlo da ferramenta em situações inesperadas.

### Instruções de utilização e manutenção da bateria

- a. **Recarregue apenas com o carregador especificado pelo fabricante.** Um carregador que é apropriado para um tipo de bateria pode criar risco de incêndio, quando utilizado noutra bateria.
- b. **Utilize apenas baterias especificamente desenhadas para a ferramenta eléctrica.** A utilização de outros tipos de bateria pode provocar danos e incêndios.

- c. **Se não utilizar a bateria, guarde-a afastada de outros objectos de metal, por exemplo, clips, moedas, chaves, parafusos, pregos ou outros objectos metálicos que possam criar uma ligação entre terminais.** O curto-circuito dos contactos da bateria pode causar queimadura ou um incêndio.
- d. **A utilização inadequada da bateria pode provocar fugas de líquido. Evite o contacto com o mesmo. Em caso de contacto accidental, lave com água.** Se o líquido tiver entrado em contacto com os olhos, consulte de imediato o seu médico. O líquido da bateria pode causar queimaduras ou irritação.
- e. **Não utilize uma bateria ou uma ferramenta danificada ou modificada.** As pilhas danificadas ou modificadas podem apresentar comportamentos imprevisíveis, podendo originar incêndios, explosões ou ferimentos.
- f. **Não exponha uma bateria ou ferramenta ao fogo ou a temperaturas excessivas.** A exposição ao fogo ou a uma temperatura superior a 130 °C pode provocar uma explosão.
- g. **Respeite todas as instruções de carregamento e não carregue a bateria ou ferramenta fora do intervalo de temperatura especificado nas instruções.** O carregamento incorreto ou a temperaturas fora do intervalo especificado pode danificar a bateria e aumentar o risco de incêndio.

### Serviço

- a. **A ferramenta eléctrica só deve ser reparada por um profissional, e utilizando exclusivamente peças de reposição idênticas.**  
Isto vai assegurar que a segurança da sua ferramenta eléctrica vai ser mantida.
- b. **Nunca execute tarefas de manutenção em baterias danificadas.** As tarefas de manutenção das baterias só deve ser efetuado pelo fabricante ou por prestadores de serviços autorizados.

### INSTRUÇÕES DE SEGURANÇA ESPECÍFICAS DA FERRAMENTA

#### Avisos de segurança - berbequins/aparafusadoras

**Segure a ferramenta eléctrica pelas superfícies isoladas quando efetuar uma operação em que o dispositivo de fixação possa entrar em contacto com fios ocultos.** Os dispositivos de fixação que entrem em contacto com um fio sob tensão podem tornar condutivas as partes metálicas expostas da ferramenta eléctrica e causar um choque eléctrico ao operador

**Utilize detectores apropriados para determinar se existem cabos ocultos na área de trabalho ou contacte a companhia de electricidade/gás para obter ajuda.** O contacto com cabos eléctricos pode provocar incêndio e choques eléctricos. Danos em tubos de gás podem provocar explosão. A perfuração de um cano de água pode causar danos materiais ou choques eléctricos.

Desligue imediatamente a ferramenta eléctrica quando esta ficar bloqueada ou presa. Esteja preparado para um binário de alta reação que possa causar coices. A ferramenta fica bloqueada quando:

- a ferramenta eléctrica é sujeita a sobrecarga
- ou fica encravado na peça de trabalho.

**Segure a máquina com firmeza.** A rotação a grande velocidade pode ocorrer por instantes durante o aparafusamento ou desaparafusamento.

**Fixe a peça a trabalhar.** Uma peça presa com dispositivos de aperto ou com torno de bancada fica mais firme do que se segurar apenas com as mãos.

**Mantenha o seu local de trabalho limpo.** Misturas de material são especialmente perigosas. Pó de metal leve pode incendiar-se ou explodir.

**Espere a ferramenta eléctrica pare completamente, antes de pousá-la.** A ranhura pode emperrar e levar à perda de controlo da ferramenta.

**Evite a ligação involuntária. Certifique-se de que o interruptor está na posição off antes de introduzir a bateria.** Pegar em ferramentas eléctricas com o dedo no interruptor ou ligar à electricidade ferramentas com o interruptor ligado é propício a acidentes.

### Avisos de segurança para carregadores



**Não usar no exterior.**

**Mantenha o carregador afastado de chuva ou humidade.** A infiltração de água num carregador aumenta o risco de choque eléctrico.

**Não carregar acumuladores de outras marcas.** O carregador só é apropriado para carregar as baterias que acompanham a ferramenta. Caso contrário, há risco de incêndio e explosão.

**Manter o carregador limpo.** Há risco de choque eléctrico devido a sujidade.

**Antes de cada utilização é necessário verificar o carregador, o cabo e a ficha. Não utilize o carregador se verificar que está danificado.** Não abra o carregador e só permita que seja reparado por pessoal qualificado. Carregadores, cabos e fichas danificados aumentam o risco de choque eléctrico.

**Não use o carregador sobre uma base facilmente inflamável (por ex.: papel, tecidos, etc.) ou em ambiente combustível.** Existe perigo de incêndio devido ao aquecimento do carregador durante o carregamento.

**As crianças devem ser vigiadas e deve assegurar-se de que não brincam com o carregador.**

### INFORMAÇÃO SOBRE VIBRAÇÃO E RUÍDO

#### Nível de vibração e ruído

O nível de vibração e emissão de ruído indicado neste manual de instruções foi medido de acordo com um ensaio normalizado de acordo com a norma EN 62841. Pode utilizar-se para comparar uma ferramenta com outra e como uma avaliação preliminar da exposição à vibração e ruído ao utilizar a ferramenta para as aplicações mencionadas neste manual. No entanto, a utilização da ferramenta para diferentes aplicações, ou com acessórios diferentes ou com uma manutenção indevida, pode aumentar significativamente o nível de exposição.

Uma estimativa do nível de exposição à vibração e ao ruído deve também ter em conta os tempos em que a ferramenta é desligada ou quando está em funcionamento, mas não está a ser utilizada, uma vez que tal pode reduzir significativamente o nível de exposição durante o período total de trabalho. Proteja-se contra os efeitos das vibrações e do ruído efetuando a devida manutenção da ferramenta e dos seus acessórios, mantendo as mãos quentes e organizando o seu trabalho.

## Outros riscos

Mesmo quando a ferramenta elétrica é utilizada como indicado, não é possível eliminar todos os restantes fatores de risco. Podem surgir os seguintes riscos relacionados com a construção e conceção da ferramenta elétrica:



Danos nos pulmões se não for usada uma máscara eficaz contra o pó.



Danos auditivos se não for usada uma proteção auditiva eficaz.



Danos para a saúde resultantes de vibrações se a ferramenta elétrica estiver a ser utilizada durante um período de tempo mais longo ou não for manuseada e mantida corretamente.



**AVISO!** Esta ferramenta elétrica produz um campo eletromagnético durante o funcionamento. Em algumas circunstâncias, este campo pode interferir com implantes médicos ativos ou passivos. Para reduzir o risco de ferimentos graves ou fatais, recomendamos que as pessoas com implantes médicos consultem o seu médico e o fabricante de implantes médicos antes de operarem esta máquina.

## MONTAGEM

Antes de qualquer procedimento à ferramenta (por ex.: manutenção, mudança de acessórios, etc.), bem como durante o transporte e arrumação, coloque o comutador Avançar/Retroceder na posição central. Se o botão On/Off for ligado involuntariamente, há o perigo de lesões.

## Carregar a aparafusadora

Leia primeiro as instruções de segurança e siga as instruções de carregamento. Ligue a extremidade do cabo USB-C à porta USB-C (Pic. 2) (A) na chave de fendas. Em seguida, ligue a outra extremidade do cabo USB a um carregador USB ou a uma tomada USB que possa fornecer energia suficiente para carregar a chave de fendas. Certifique-se de que não existem nós ou curvas afiadas no cabo.

Quando a chave de fendas está ligada à alimentação elétrica com um cabo USB-C, três díodos na chave de fendas (Imagem 2) (B) acendem-se a indicar o estado de carregamento:

- Luz pulsante - carregamento em curso
- Luz constante - carregamento concluído

Após a bateria da chave de fendas estar completamente carregada e a chave de fendas permanecer

ligada à alimentação, os díodos permanecerão acesos. Em condições normais de utilização, a chave de fendas pode ser recarregada várias centenas de vezes.

**ATENÇÃO!** O processo de carregamento gera calor na bateria. Não é aconselhável carregar a bateria em ambientes com temperaturas negativas. A bateria irá perder a carga com o tempo, mesmo que a ferramenta não seja usada.



## **ATENÇÃO!**

A bateria fornecida com a aparafusadora foi carregada numa situação de teste, pelo que tem de ser completamente carregada antes da primeira utilização.

**A bateria de íões de lítio está protegida dos descarregamentos totais pela "Electronic Cell Protection (ECP)".** Quando a bateria estiver vazia, a máquina desliga-se mediante um circuito protetor: a ferramenta inserida deixa de girar.



**ATENÇÃO!** Não continue a carregar no botão On/Off depois de a máquina se desligar automaticamente. Pode danificar a bateria.



**ATENÇÃO!** Carregue a bateria numa superfície que não seja inflamável. Não deixe a bateria a carregar mais de 8 horas.

## **INSTRUÇÕES DE UTILIZAÇÃO**

### **Funcionamento**

Este aparafusador sem fios aceita vários tipos e comprimentos de brocas com uma haste hexagonal de 6,35 mm (1/4") entre as superfícies planas.

### **Introdução da broca (Imagem 3)**

Escolha a broca adequada para os parafusos a utilizar. Insira a broca no aparafusador, verificando se está bem introduzida.

**Nota:** aconselhamos a fazer sempre um orifício guia ao aparafusar com este produto.

### **LIGAR e DESLIGAR**

Para aparafusar, aperte o interruptor ON/OFF (3). A libertação do interruptor ON/OFF irá parar a chave de fendas. Para a remoção do parafuso, e para mudar a direção de rotação, empurre o interruptor de direção de rotação (7).

### **Bloqueio automático do fuso**

O fuso do aparafusador bloqueia automaticamente quando a ferramenta é desligada. Isto permite usar o aparafusador manualmente.

### **Suporte para brocas magnético**

Podem colocar as brocas que estão a utilizar atualmente no suporte para brocas magnético (5) sobre a aparafusadora para que estas estejam à mão enquanto trabalha.

### **Ponteiro luminoso LED**

A aparafusadora tem um ponteiro luminoso LED para iluminar a área de trabalho. O ponteiro luminoso LED liga-se sempre que a alavanca é premida e, em seguida, desliga-se quando a alavanca é libertada.

### **Manutenção e limpeza**

Mantenha a aparafusadora sempre limpa e seca para trabalhar de forma segura e eficaz. Limpe o aparelho com um pano suave, humedecido com água. Não utilize detergentes de limpeza.

Para um funcionamento adequado e em segurança, mantenha sempre a ferramenta e as ranhuras de ventilação limpas.

Este produto destina-se a utilização doméstica, não se destina a medições comerciais ou oficiais realizadas por profissionais.

**Guarde este manual para consulta futura.**

**Fabricante: IKEA of Sweden AB**

**Endereço: Box 702, SE-343 81 Älmhult, SUÉCIA**



As pilhas e baterias recarregáveis não são lixo doméstico! Enquanto consumidor, está obrigado por lei a eliminar todas as pilhas e acumuladores, quer contenham substâncias nocivas\* ou não, num ponto de recolha do seu município/bairro ou através de uma entidade comercial que ofereça a eliminação de baterias para que possam ser eliminadas de forma ecológica.

\* marcado com: Cd = cádmio, Hg = mercúrio, Pb = chumbo



O símbolo do caixote do lixo com o sinal de proibição indica que esse artigo deve ser separado dos resíduos domésticos convencionais. Deve ser entregue para reciclagem de acordo com as regulamentações ambientais locais para tratamento de resíduos. Ao separar um artigo assinalado dos resíduos domésticos, ajuda a reduzir o volume de resíduos enviados para os incineradores ou aterros, minimizando o potencial impacto negativo na saúde pública e no ambiente. Para mais informações, contacte a loja IKEA perto de si.

# 中文

## TRIXIG 缙克西 无线螺丝刀 3.6V

### 技术参数

型号: TRIXIG 缙克西

型号: P2201

电压: 3.6 Vdc.

电池类型: 锂电池1.5Ah / 5.4Wh

充电时间: < 300分钟

最大硬扭矩: 大约 5 Nm

最大空转速度: 200/min

钻套: 6.35mm (1/4英寸)

振动 (符合EN 62841-1和EN 62841-2-2相关规定):

钻拧螺丝, 不产生影响:  $a_{hv}=0.34m/s^2$ ,  $K=1.5m/s^2$ 。

噪音 (符合EN 62841-1相关规定):

噪音声压等级  $L_{pA} = 59dB (A)$ ,  $K_{pA} = 35dB (A)$

噪音声功率等级  $L_{WA} = 70dB (A)$ ,  $K_{WA} = 3dB (A)$

仅限室内使用。

建议充电额定值:

直流 5.0V/ 1.0-3.0A (Type-C), 充电温度 0-50°C

### 产品功能

所示产品功能编号对应图形页面上的插图 1。

1. 电动螺丝刀主体
2. 电动螺丝刀钻头支架
3. 开关
4. USB-C 充电插口
5. 磁性钻头支架
6. LED 工作指示灯
7. 转动方向切换开关
8. LED 电源状态指示灯

### 注意!

本品不含 USB-C 电缆和 USB 充电器。

### 用途

电动螺丝刀适用于拧入或取出螺丝。

此工具仅可用于规定用途, 若被用于其它用途均视为滥用。

### 一般安全说明

#### 电动工具 - 一般安全说明



警告! 请阅读此电动工具提供的安全警告、说明、插图和规格。不遵守下列说明可能会导致触电、火灾和/或严重伤害。

请妥善保存所有警告和说明以备将来参考

警告中提及的术语“电动工具”是指电源供电（有线）电动工具或电池供电（无线）电动工具。

### 工作区域安全

- 工作区域需保持干净且光线充足，以免因环境杂乱和光线不足而发生危险。
- 电动工具产生的火花可能引起火灾，因此不可在含有易燃液体、气体或灰尘的爆炸性环境下使用电动工具。
- 操作电动工具时需避免任何人站在一旁观看，以免使用者因分心而发生危险。

### 电气安全

- 电动工具插头需符合插座规格，且不可任意更换插头。接地式电动工具不可使用转接器插头。使用正常插头及适合插座，可降低触电危险的发生。
- 须避免身体接触如水管、暖气、炉具和冰箱等接地表面，以免造成触电危险。
- 不可将电动工具置于潮湿环境，以免湿气侵入造成触电危险。
- 不可以拉扯电线的方式搬移电动工具或拔掉插头。电线须远离热源、油、锐利边缘或工具的活动零件，以避免因电线受损或缠绕而造成触电危险。
- 在户外操作电动工具时，需使用户外用延长线，以降低触电危险。
- 需在潮湿地点使用电动工具时，请使用漏电断路器(RCD)。使用漏电断路器可减少触电危险。

### 个人安全

- 操作电动工具时须格外专注，并保持警觉。当感觉疲劳或因药物、酒精而导致精神不济时，不可使用电动工具，以免造成严重伤害。
- 操作电动工具时需戴上护目镜，并使用安全装备，如防尘口罩、防滑安全鞋、安全帽或耳罩，以降低受伤的危險。
- 在电源开启状态下，搬移电动工具或插上插头，都可能会造成受伤的危險。为避免意外的发生，插上插头或装入电池前须确认电源关闭。
- 开启电源前，先拆下可调整键或扳手。若未将旋转零件上的扳手或调整键拆下，可能会造成伤害。
- 不可过度使用。操作电动工具时保持稳固和平衡，有助于在突发状况下有效控制工具。
- 操作电动工具时需穿着适当服装，不可穿着宽松衣物或配戴饰品。操作时，务必让头发、衣物和手套远离活动零件。由于宽松衣物、饰品或头发容易被活动零件夹住，
- 如果电动工具内建可连接吸尘和收集设备的装置，需确认装置稳固连接和正确使用。使用这些装置可降低因灰尘而引起的危險。
- 不可让经常使用的熟悉度让你变得自满，忽略工具的安全原则。粗心的动作会立即造成严重伤害。

### 电动工具的使用和保养

- 不可错误使用电动工具，需依不同物品材质使用正确的电动工具。正确的电动工具可使工作事半功倍，更加安全。
- 如果电源无法正常开关，不可使用电动工具。无法正常操作的电动工具须立即维修，以免发生危險。
- 调整设定、更换配件或存放电动工具前，须先拔掉插头或取下电池。此种安全预防方法，可降低误启电动工具的危險。
- 电动工具不用时需存放在孩童接触不到的地方。不可让不熟悉电动工具或操作说明的人接触电动工具，以免发生危險。
- 保养电动工具。检查活动零件是否调整错误或链接固定、零件是否破损，以及可能影响电动工具操作的其他状况。如有损坏，使用前，应立即让专人维修。须定期保养电动工具，以免使用时发生意外。
- 为保持切割工具的锐利度和清洁，可适当的磨利切割刀缘，减缓紧度，方便使用。
- 依照说明书，以及特殊电动工具的使用方法，并考虑工作状况和物品材质，使用电动工具、配件和工具。如用作其他用途，可能造成危險。
- 使把手和抓握表面保持干燥、干净，避免沾染油脂。光滑的把手和抓握表面，让你在意外的状况下不易操作和控制工具。

## 电池式电动工具使用与保养说明

- a. 仅能用产品提供的充电器充电。须使用适合充电器类型的电池，以免造成危险。
- b. 仅能使用适合的电池，以免造成伤害和起火的危险。
- c. 电池不使用时，须放在远离回形针、硬币、钥匙、铁钉、螺丝等可能连接电池两端的地方。电池短路可能造成烧伤或火灾。
- d. 不可任意使用充电器，以免因电池破裂而接触到有毒物质。如果不小心接触到有毒物质，立即冲水清洗。因电池内的有毒物质会造成过敏或烧伤，如果眼睛不小心接触到，须立即就医。
- e. 请勿使用损坏或改装的电池组或工具。损坏或改装的电池可能会带来不可预测的行为，从而导致火灾、爆炸或受伤风险。
- f. 请勿将电池组或工具置于火中或温度过高的环境中。置于火中或温度高于 130°C 的环境中可能会导致爆炸。
- g. 请遵循所有充电说明，不要在说明规定的温度范围之外为电池组或工具充电。充电不当或在规定温度范围之外充电可能会损坏电池并增加火灾风险。

## 服务

- a. 须由合格的修护人员来维修电动工具，并只能使用相同的替换零件。  
如此能确保电动工具的安全性。
- b. 切勿维修损坏的电池组。仅可由制造商或授权服务提供商对电池进行维修。

## 与机器相关的安全说明

### 钻头与螺丝刀安全警告

如果在操作过程中紧固件可能接触隐藏的电线，则需要抓持电动工具的绝缘部分。紧固件接触“带电”的电线可能会使电动工具裸露的金属部件导电，并可能使操作员触电

使用适合的侦测器，以便找出隐藏在工作场所的电源线，或向当地的供电单位索取相关资料。电动工具须避免接触到下列物品：电线，输气管道和水管，以免引起火灾、爆炸和造成触电。

当电动工具被阻塞或卡住时，请立即将其关闭。为可能会导致反冲的高反作用扭矩做好准备。在以下情况下，本工具会被阻塞：

- 电动工具过载
- 或者被嵌入工件。

**务必握紧电动工具。**在拧紧和旋松螺丝时，可能出现短暂的强大反冲。

**固定部件。**使用固定装置或老虎钳固定部件，会比用手持握更牢固。

**工作场所须保持干净。**不同材质经钻孔后所产生的粉尘经过混合后容易产生化学反应，十分危险。轻合金粉尘容易着火或引起爆炸。

**等待电动工具完全静止后才能放下。**电动工具上的工具可能在工作中卡住，而使你无法控制电动工具。

**避免不小心打开电动工具。**插入电池前确保开关处于关闭状态。搬动电动工具时手指放在开关上，或在开关打开时插入电池都可能引发事故。

## 电池充电器安全警告



仅供室内使用。

不要让电池充电器淋雨或暴露于潮湿的环境中，水分渗入充电器中会增加触电的危险。

不可用来替其他电池充电，电池充电器只适用于此电动工具的电池，以免造成起火和爆炸的危险。

电池充电器须保持干净。污垢会造成触电的危险。

每次使用前，先检查电池充电器、电线和插头是否受损。若发现损坏，请立即停止使用。不可自行拆解电池充电器、电线和插头，须交由专业维修人员进行维修。使用受损的电池充电器、电线和插头会增加触电的危险。

不可在易燃表面或附近（如纸、纺织品等）操作电池充电器，以免因充电时，电池充电器过热而造成起火的危险。

不使用的电池充电器须存放在儿童接触不到的地方。

### 振动和噪声说明

#### 振动和噪声水平

我们已根据 EN 62841 中所列的标准化测试对本说明手册中提及的振动和噪声发射水平进行了检测。它可用于将一种工具与另一种工具进行比较，还可作为将该工具用于本手册所提及的用途时暴露于振动和噪音的程度的初步评估。但是，将本工具用于不同的用途，或者使用不同或维护不善的配件，可能会显著增加暴露水平。

对振动和噪音暴露水平的评估还应考虑工具关闭或运行但未使用的时间，因为这可能会显著降低整个工作期间的暴露水平。通过维护工具及其配件、保持双手温暖和统筹工作来保护自己免受振动和噪声的影响。

#### 其它风险

即使按规定使用本电动工具，也不可能消除所有其它风险因素。本电动工具的结构和设计可能会带来以下危险：



如不佩戴有效的防尘口罩，会对肺部造成损害。



如不佩戴有效的听力保护装置，会对听力造成损害。



如果本电动工具被长时间使用或未被正确处理和维修，则振动会对健康造成损害。



**警告！** 此电动工具在操作过程中会产生电磁场。在某些情况下，该电磁场可能会干扰主动或被动医疗植入物。为了降低严重或致命伤害的风险，我们建议使用医疗植入物的人员在操作本工具之前咨询他们的医生和医疗植入物制造商。

## 组装

使用（维修、更换工具等）以及运输和存放机器前，请将旋转方向开关置于中央位置。不小心启动电源开关可能会导致受伤。

### 首先阅读安全说明，然后按照充电说明进行操作。

将 USB-C 电缆一端连接至电动螺丝刀的 USB-C 端口（如图 2 所示）(A)。然后将 USB 电缆的另一端连接至能够提供足够功率的 USB 充电器或 USB 插座，为电动螺丝刀充电。确保电缆没有打结或严重弯折。

当电动螺丝刀通过 USB-C 电缆连接至电源时，螺丝刀上的三个二极管（如图 2 所示）(B) 会亮起，以指示充电状态：

- 闪动 - 正在充电

- 常亮 - 充电完成

如果电动螺丝刀电池充满电后

仍与电源连接，则二极管保持点亮状态。在正常使用条件下，本电动螺丝刀可以充电数百次。

**注意：**螺丝刀/钻头随附的电池仅经过充电测试，未充满电，因此，首次使用前需完全充电。

TRIXIG 维克西 电动螺丝刀/电钻和TRIXIG 维克西 电池组是配套的，不可分开使用。

切勿使用此电池组为其他制造商的无线工具供电。

锂离子电池带有“电子电池保护(ECP)”系统，可防止深度放电。电池没电时，设备通过保护电路关闭：插入的工具不再旋转。



**警告** 设备自动关闭后，请勿继续按On/Off（开/关）按钮。电池可能会损坏。



**警告！** 请在不易燃的表面上为电池充电。电池充电时间勿超过八小时。

## 使用说明

### 操作

此无线螺丝刀适用于任何类型和长度的扁平直径为6.35mm(1/4")的六角螺丝刀钻头。

### 安装螺丝刀钻头（图3）

根据所用的螺丝，选择正确的螺丝刀钻头。将螺丝刀钻头装入螺丝刀中，确保紧紧固定。注意：使用此产品拧螺丝时，建议先钻试验孔。

**注意：**操作时，电机外壳的沟槽可能产生火花。使用时产生火花是正常现象，这是因为电机内侧的零件相互摩擦所造成，电动工具的功能不会受到影响。电动工具产生的火花可能引起火灾，切勿在含有易燃液体、气体或灰尘的环境下使用电动工具。

## 打开和关闭

如想使用，请按下开关 (3)。松开开关，电动螺丝刀将会停止工作。如想拆卸螺钉和改变转动方向，请按下转动方向切换开关 (7)。

## 轴自动锁

工具关闭后，轴会自动锁上。这样，螺丝刀可以变成手动工具。

## 磁性钻套

你可以将当前使用的刀头放置在螺丝刀顶部的磁性钻套上(5)，方便在工作时随手拿起。

## LED工作灯

螺丝刀内置LED工作灯，可照亮工作区域。每次按压触发开关时LED工作灯亮起，松开触发开关时LED工作灯熄灭。

## 维护和清洁

请始终保持螺丝刀洁净干燥，以确保正确、安全的操作。请使用柔软的湿布擦拭碎屑。请勿使用任何清洁剂或溶剂清洁。

为确保安全和正常工作，请始终保持设备和通风槽清洁。

中文本产品仅供家庭使用，不适用于需由专业人员进行的商业测量或合格测量。

请保留本手册以备将来使用。

制造商：IKEA of Sweden AB

地址：Box 702, SE-343 81 Älmhult, SWEDEN

消费者若使用电源适配器充电，则应购买配套使用获得CCC认证并满足标准的电源适配器。



电池和充电电池非生活垃圾！作为消费者，您需要依法在您所在市政当局/社区的收集点，或通过提供电池处理服务的商业实体，处理所有电池和蓄电池，而无论其是否含有害物质\*。这样有助于以环保的方式处理它们。

\* 表示含有：Cd = 镉，Hg = 汞，Pb = 铅



带十字的垃圾桶标志代表该产品必须与家用垃圾分开处理。同时对产品的处理必须符合当地关于废物处理的相关规定。每做一次分类，就减少了送入焚烧炉和垃圾填埋场垃圾的数量，进而将不利于人类身体健康和环境的负面影响最小化。想了解更多，请联系当地宜家商场。



# 繁中

## TRIXIG 電動起子機 3.6V

### 技術規格

型號：TRIXIG

類型：P2201

電壓：3.6 Vdc

電池類型：1.5 Ah / 5.4Wh 鋰電池

充電時間：少於300分鐘

最大扭矩：大約 5 Nm

空載最大轉速：200/min

螺絲起子頭接桿：6.35公釐 (1/4英吋)

### 振動程度 (依據EN 62841-1及EN 62841-2-2相關規定)：

無衝擊力驅動：ah=0.34 m/s<sup>2</sup>, K=1.5 m/s<sup>2</sup>.

### 噪音程度 (依據EN 62841-1相關規定)：

音壓位準L<sub>pA</sub> = 59 dB (A), K<sub>pA</sub> = 3 dB (A)

聲功率位準L<sub>wA</sub> = 70 dB (A), K<sub>wA</sub> = 3 dB (A)

僅適合室內使用。

### 建議充電額定值：

5.0V 直流 / 1.0-3.0A (C型) ，充電溫度0-50°C

### 產品部位名稱

所示產品功能的編號是指圖形頁面上的插圖 1。

- 1.螺絲刀主體
- 2.螺絲刀頭支架
- 3.ON/OFF 開關
- 4.USB-C 充電插座
- 5.磁性鑽頭支架
- 6.LED工作燈
- 7.旋轉方向開關
8. LED電源狀態指示燈

### 注意！

不包括USB-C電纜和USB充電器。

### 使用區域

電鎖適用於鎖緊和拆卸螺絲。

該工具只能用於其規定目的。任何其他使用均被視為濫用。

## 一般安全說明

### 電動工具 - 一般安全說明



**警告！** 請閱讀此電動工具提供的所有安全警告、說明、插圖和規格。不遵守下面列出的所有說明可能會導致觸電、火災和/或嚴重傷害。

請保存所有警告和說明以備將來參考

警告中的術語「電動工具」是指您的電源供電（有線）電動工具或電池供電（無繩）電動工具。

#### 工作區域安全

- 工作區域需保持乾淨及光線充足，以免因環境雜亂和光線不足而發生危險。
- 電動工具產生的火花可能引起火災，因此不可在含有易燃液體、氣體或灰塵的爆炸性環境下使用電動工具。
- 操作電動工具時需避免任何人站在一旁觀看，以免使用者因分心而發生危險。

#### 電氣安全

- 電動工具插頭需符合插座規格，且不可任意更換插頭。接地式電動工具不可使用轉接器插頭。使用正常插頭及適合插座，可降低觸電危險的發生。
- 須避免身體接觸如水管、暖氣、爐具和冰箱等接地表面，以免造成觸電危險。
- 不可將電動工具置於潮濕環境，以免溼氣侵入造成觸電危險。
- 不可以拉扯電線的方式搬移電動工具或拔掉插頭。電線須遠離熱源、油、銳利邊緣或工具的活動零件，以避免因電線損害或纏繞而造成觸電危險。
- 在戶外操作電動工具時，需使用戶外用延長線，以降低觸電危險。
- 需在潮溼地點使用電動工具時，請使用漏電斷路器(RCD)。使用漏電斷路器可減少觸電危險。

#### 個人安全

- 操作電動工具時須格外專注，並保持警覺。當感覺疲勞或因藥物、酒精而導致精神不濟時，不可使用電動工具，以免造成嚴重傷害。
- 操作電動工具時須戴上護目鏡，並使用安全裝備，如防塵口罩、防滑安全鞋、安全帽或耳罩，以降低受傷的危險。
- 在電源開啟狀態下，搬移電動工具或插上插頭，都可能會造成受傷的危險。為避免意外的發生，插上插頭或裝入電池前須確認電源關閉。
- 開啟電源前，先折下可調整鍵或扳手。若未將旋轉零件上的扳手或調整鍵折下，可能會造成傷害。
- 不可過度使用。操作電動工具時保持穩固和平衡，有助於在突發狀況下有效控制工具。
- 操作電動工具時需穿著適當服裝，不可穿著寬鬆衣物或配戴飾品。由於寬鬆衣物、飾品或頭髮容易被活動零件夾住，操作時，務必讓頭髮、衣物和手套遠離活動零件。
- 如果電動工具內建可連接吸塵和收集設備的裝置，需確認裝置穩固連接和正確使用。使用這些裝置可降低因灰塵而引起的危險。
- 不可讓經常使用的熟悉度讓你變得自滿，忽略工具的安全原則。粗心的動作會立即造成嚴重傷害。

#### 電動工具使用與保養說明

- 不可錯誤使用電動工具，需依不同物品材質使用正確的電動工具。正確的電動工具可使工作事半功倍，更加安全。
- 如果電源無法正常開關，不可使用電動工具。無法正常操作的電動工具須立即維修，以免發生危險。
- 調整設定、更換配件或存放電動工具前，須先拔掉插頭或取下電池。如此的安全預防方法，可降低誤啟電動工具的危險。

- d. 電動工具不用時需存放在孩童接觸不到的地方。不可讓不熟悉電動工具或操作說明的人接觸電動工具，以免發生危險。
- e. 保養電動工具。檢查活動零件是否調整錯誤或連結固定，零件是否破損及可能影響電動工具操作的其他狀況。如果發現電動工具受損，使用前需維修工具。須定期保養電動工具，以免使用時發生意外。
- f. 為保持切割工具的銳利度和清潔，可適當的磨利切割刀緣，減緩緊度，方便使用。
- g. 依照說明書，以及特殊電動工具的使用方法，並考慮工作狀況和物品材質，使用電動工具、配件和工具。錯誤的使用方式，可能會造成危險的發生。
- h. 使把手和抓握表面保持乾燥、乾淨，避免沾染油脂。光滑的把手和抓握表面，讓你在意外的狀況下不易操作和控制工具。

#### 電池式電動工具使用與保養說明

- a. 僅能用產品提供的充電器充電。須使用適合充電器類型的電池，以免造成危險。
- b. 僅能使用適合的電池，以免造成傷害和起火的危險。
- c. 電池不使用時，須放在遠離迴紋針、硬幣、鑰匙、鐵釘、螺絲等可能連接電池兩端的地方。電池短路可能造成燒傷或火災。
- d. 不可任意使用充電器，以免因電池破裂而接觸到有毒物質。如果不小心接觸到有毒物質，立即沖水清洗。因電池內的有毒物質會造成過敏或燒傷，如果眼睛不小心接觸到，須立即就醫。
- e. 請勿使用損壞或改裝的電池組或工具。損壞或改裝的電池可能會表現出不可預測的行為，從而導致火災、爆炸或受傷風險。
- f. 請勿將電池組或工具暴露在火中或溫度過高的環境中。暴露於火中或溫度高於130°C可能會導致爆炸。
- g. 請遵循所有充電說明，不要超出說明中指定的溫度範圍為電池組或工具充電。充電不當或在超出指定範圍的溫度下充電可能會損壞電池並增加火災風險。

#### 服務

- a. 須由合格的修護人員來維修電動工具，並只能使用相同的替換零件。  
如此能確保電動工具的安全性。
  - b. 切勿維修損壞的電池組。電池組的服務只能由製造商或授權服務提供者進行。
- 特殊安全說明**

#### 電鑽起子機之安全警告

在工作中緊固件可能接觸隱藏電線的情況下，請握住電動工具的絕緣抓握面。若緊固件接觸「帶電」電線可能會使電動工具的裸露金屬部件導電，並可能使操作人員觸電。

使用適合的偵測器，以便找出隱藏在工作場所的的電源線，或向當地的供電單位索取相關資料。電動工具須避免接觸到下列物品：電線、瓦斯管和水管，以免引起火災、爆炸和造成觸電。

當工具被阻滯或卡住時，立即關閉電動工具。要準備好應對可能導致反沖的高反作用扭矩。在以下情況下，該工具將被停止：

- 電動工具過載
- 或者它被卡在工件中。

**務必握緊電動工具。**在轉入和轉出螺絲時，可能出現短暫的強大回擊。

**固定機器部件。**使用固定裝置或老虎鉗固定機器部件，會比用手持握更牢固。

**工作場所須保持乾淨。**不同材質經鑽孔後所產生的粉塵經過混合後容易產生化學反應，十分危險。輕合金粉塵容易著火或引起爆炸。

等待機器完全靜止後才能放下。機器上的工具可能在工作中卡住，而使你無法控制電動工具。

安裝電池前，先確定起停開關在關的位置，以預防意外啟動電動工具。攜帶電動工具時，請勿將手指置於起停開關，或安裝電池時未關閉電動工具開關，以免造成危險。

### 電池充電器之安全警告



僅適合室內使用。

不要讓電池充電器淋雨或暴露於潮溼的環境中，水分滲入充電器中會增加觸電的危險。

電池充電器只適用於此電動工具的電池，不可用來替其他電池充電，以免造成起火和爆炸的危險。

電池充電器須保持乾淨。污垢會造成觸電的危險。

每次使用前，先檢查電池充電器、電線和插頭是否受損。若發現損壞，請立即停止使用。不可自行拆解電池充電器、電線和插頭，須交由專業維修人員進行維修。使用受損的電池充電器、電線和插頭會增加觸電的危險。

不可在易燃表面或附近(如紙、布織品等)操作電池充電器，以免因充電時，電池充電器過熱而造成起火的危險。

不使用的電池充電器須存放在兒童接觸不到的地方。

### 振動和噪聲資訊

#### 振動和噪音水平

本說明手冊中規定的振動和噪音排放水平，已根據EN 62841中的標準化測試進行測量。其可用於將一種工具與另一種工具進行比較，並作為將該工具按本手冊做應用時暴露於振動和噪音的初步評估。但是，將該工具用於不同的應用，或者使用不同或維護不善的配件，可能會顯著增加暴露水平。

對振動和噪音暴露水平的估計還應考慮工具關閉或運轉但未使用的時間，因為這可能會顯著降低整個工作期間的暴露水平。通過維護工具及其配件、保持雙手溫暖和妥善編排工作來保護自己免受振動和噪音的影響。

#### 其他風險

即使按規定使用電動工具，也不可能消除所有其他風險因素。電動工具的結構和設計可能會出現以下危險：



如果不佩戴有效的防塵口罩，會對肺部造成損害。



如果不佩戴有效的聽力保護裝置，會對聽力造成損害。



如果電動工具長時間使用或未正確處理和維護，則振動會對健康造成的損害。



**警告！** 該電動工具在操作過程中會產生電磁場。在某些情況下，該磁場可能會干擾主動或被動醫療植入物。為了降低嚴重或致命傷害的風險，我們建議使用醫療植入物的人在操作本機之前諮詢他們的醫生和醫療植入物製造商。

### 組裝說明

在電動工具上進行任何維護的工作(如維修、更換工具等)，以及搬運和收納此機器之前，正逆轉開關須設定在中間位置，以免意外啟動電源造成傷害。

### 首先閱讀安全說明，然後按照充電說明進行操作。

將USB-C電纜端連接到USB-C埠(圖2)(A)，埠口在螺絲刀中。然後將另一根USB電纜端連接到可以提供足夠電量為螺絲刀充電的USB充電器或USB插座。確保電纜沒有打結或急劇彎曲。

當螺絲刀通過USB-C電纜連接到電源時，螺絲刀上的三個二極體(圖2)(B)點亮以指示充電狀態：

- 燈閃亮 - 充電進行中

- 常亮 - 充電完成

螺絲刀電池充滿電且螺絲刀仍然

連接著電源，二極體持續亮著。在正常使用條件下，螺絲刀可以充電數百次。

**注意：**電動起子機/電鑽所附的電池，為供檢測使用僅部份充電，初次使用前須先將充電電池完全充電。

TRIXIG電池專為TRIXIG電動起子機/電鑽而設。

電池不適用於其他品牌的無線工具。

此鋰電池配備電子保護裝置(ECP)，可防止電池過度放電。電池電量用盡後，保護開關會自動關閉電動工具，安裝在機器上的工具會停止轉動。



**警告！** 機器自動關閉電源後，不可持續按壓電源開關，以免損害電池。



**警告！** 請在非易燃表面上替電池充電。充電時間不可超過8小時。

### 使用說明

#### 操作說明

此電鑽適用多種類型及長度的六角形螺絲起子頭(直徑6.35公釐)。

#### 安裝螺絲起子頭(圖3)

選擇適合螺絲類型的螺絲起子頭。將螺絲起子頭安裝至電鑽上，並確認穩固安裝。注

意：建議用電鑽鎖螺絲時，先鑽出導洞，以便鎖入螺絲。

## 打開ON和關閉OFF

當擰螺絲時，擠壓ON/OFF開關（3）。鬆開ON/OFF開/關將停止螺絲刀。要卸下螺釘和改變旋轉方向，請按下旋轉方向開關（7）。

## 轉軸自動鎖

關閉電鑽電源開關時，轉軸會自動上鎖，如此可將電鑽當做手動工具使用。

## 磁性起子頭接桿

電動起子機上附磁性起子頭接桿(5)，可放上正在使用的起子頭，方便隨時拿取使用。

## LED照明燈

電動起子機內置LED照明燈，可照亮工作範圍。扣動開關扳機點亮照明燈，釋放開關扳機燈就會熄滅。

## 保養與清潔

電動起子機必須保持乾淨及乾燥，以確保可正常及安全操作。清潔時可用軟布沾水擦掉碎屑。不可使用任何清潔劑或溶劑。

機器及其散熱孔務必保持乾淨，以確保可正常及安全操作。

繁中此產品僅供居家使用，不適用於商業用途或專業測量。

請保留本手冊以備將來使用。

製造商：IKEA of Sweden AB

地址：Box 702, SE-343 81 Älmhult, SWEDEN (瑞典)

## 注意！

取得審驗證明之低功率射頻器材，非經核准，公司、商號或使用者均不得擅自變更頻率、加大功率或變更原設計之特性及功能。

低功率射頻器材之使用不得影響飛航安全及干擾合法通信；經發現有干擾現象時，應立即停用，並改善至無干擾時方得繼續使用。

前述合法通信，指依電信管理法規定作業之無線電通信。

低功率射頻器材須忍受合法通信或工業、科學及醫療用電波輻射性電機設備之干擾。



切勿將電池和充電電池當生活垃圾處理！作為消費者，法律要求您在所在市政當局/社區的收集點或通過提供電池處理的商業實體處置所有電池和蓄電池，無論它們是否含有有害物質\*，以便以環保的方式處理它們。

\* 標有：Cd=鎘，Hg=汞，Pb=鉛



垃圾桶畫叉圖案表示產品不可當作家庭廢棄物丟棄。產品須依當地廢棄物規定丟棄處理。與家庭廢棄物分開擺放，可幫助減少送往焚化爐或掩埋場的廢棄物數量，並降低可能危害人體健康和環境的機會。請向IKEA客服部取得更多相關資訊。

# 한국어

## TRIXIG 트릭시그 무선 전동 드라이버 3.6V

### 기술 사양

모델: TRIXIG 트릭시그

유형: P2201

전압: 3.6 Vdc.

배터리 종류: 1.5Ah / 5.4Wh 리튬이온

충전 시간: 300분 미만

최대 경회전력: 약 5 Nm

최대 무부하속도: 200/min

비트 홀더: 6.35mm(1/4인치)

### 진동(EN 62841-1, EN 62841-2-2 기준):

무진동 전동 드라이버 사용 시:  $a_h = 0.34 \text{ m/s}^2$ ,  $K = 1.5 \text{ m/s}^2$ .

### 소음(EN 62841-1 기준):

음압레벨  $L_{pA} = 59 \text{ dB(A)}$ ,  $K_{pA} = 3 \text{ dB(A)}$

음향파워레벨  $L_{wA} = 70 \text{ dB(A)}$ ,  $K_{wA} = 3 \text{ dB(A)}$

### 실내전용

### 권장 충전 등급:

5.0V d.c./ 1.0-3.0A (유형 C), 충전 온도 0-50°C

### 부품

표시된 제품 기능의 번호는 그래픽 페이지의 그림 번호 1을 나타냅니다.

1. 드라이버 본체
2. 드라이버 비트 홀더
3. 온/오프 스위치
4. USB-C 충전 콘센트
5. 마그네틱 비트 홀더
6. LED 작업등
7. 회전 방향 스위치
8. LED 전원 상태 표시등

### 참고!

USB-C 케이블 및 USB 충전기는 포함되어 있지 않습니다.

### 사용 용도

나사를 끼우고 빼는 작업에 적합합니다.

이 공구는 규정된 목적으로만 사용해야 합니다. 다른 용도로 사용하는 것은 오용의 경우로 간주됩니다.

### 일반 안전 사항

### 전동공구 관련 일반 안전 사항



경고! 이 전동 공구와 함께 제공된 안전 경고, 지침, 그림 및 사양을 모두 읽으십시오. 아래 나열된 모든 지침을 따르지 않으면 감전, 화재 및/또는 심각한 부상이 발생할 수 있습니다.

## 나중에 참조할 수 있도록 모든 경고 및 지침을 저장하십시오.

경고에서 "전동 공구"라는 용어는 주전원으로 작동되는(유선) 전동 공구 또는 배터리로 작동되는(무선) 전동 공구를 의미합니다.

### 작업 공간 안전

- 작업 공간을 깨끗하고 밝게 유지해 주세요. 지저분하고 어두운 곳은 사고가 일어나기 쉽습니다.
- 폭발의 위험이 있는 곳에서 전동공구를 작동하면 안됩니다. 가연성 액체, 가스나 먼지가 있는 곳을 피하세요. 전동공구를 사용중 스파크가 발생하면 연기나 먼지에 불이 붙을 수도 있습니다.
- 전동공구를 사용할 때는 어린이와 구경하는 사람들이 가까이 오지 못하도록 하세요. 집중력이 흐려지면 통제력도 떨어집니다

### 전기 안전

- 전동공구의 플러그는 콘센트에 잘 맞아야 합니다. 플러그를 어떤 방법으로도 개조하지 마세요. 접지 전동공구에는 아답터 플러그를 사용하지 마세요. 개조하지 않은 오리지널 플러그와 이에 알맞는 콘센트를 사용해야 감전사고를 예방할 수 있습니다.
- 파이프, 방열기, 레인지와 냉장고와 같은 접지면과의 신체 접촉을 피하세요. 사용자의 몸이 접지 상태일 경우 감전의 위험이 증가합니다.
- 전동공구를 비가 오는 곳이나 습한 곳에 두지 마세요. 제품에 물이 닿으면 감전의 위험이 증가합니다.
- 코드를 잘못된 방법으로 사용하지 마세요. 전동공구의 전선을 잡아 당기고 플러그를 뺄 때 코드를 당겨 뽑으면 안됩니다. 코드는 열, 기름, 날카로운 끝과 움직이는 부품에서 멀리해 주세요. 손상되거나 꼬인 코드는 감전의 위험을 증가시킵니다.
- 전동공구를 실외에서 사용할 때는 실외에서 사용하기 적합한 연장 코드를 사용하세요. 실외에서 사용 가능한 연장코드는 감전의 위험을 줄여줍니다.
- 습한 곳에서는 제품 사용이 불가피한 경우, 누전차단 기능의 장치 (RCD)와 함께 사용해야 합니다. RCD를 사용하면 감전의 위험이 줄어듭니다.

### 개인 안전

- 전동공구를 사용할 때는 항상 주의를 기울이고, 똑바로 주시하고 상시적으로 사용하도록 하세요. 피곤하거나 약물, 술 또는 의약품의 영향이 있는 경우 전동 공구를 사용하지 마세요. 잠시라도 주의를 잃으면 심각한 부상을 입을 수도 있습니다.
- 안전 장비를 사용하세요. 눈에도 보호 장비를 착용하세요. 방진마스크, 미끄럼방지 신발, 헬멧, 귀마개 등과 같은 보호장비를 사용해야 부상을 예방할 수 있습니다.
- 의도하지 않은 공구 시동을 예방하세요. 플러그를 꽂기 전, 전지를 연결하기 전, 공구를 들어올리거나 옮길 때 등 스위치가 꺼져 있는 상태인지 확인하세요. 손가락을 스위치에 건 상태에서 공구를 옮긴다거나 스위치가 켜진 상태에서 플러그를 끼우는 행동은 사고를 불러일으킵니다.
- 전동공구를 켜기 전에 조정 키나 렌치를 치우세요. 렌치나 키가 공구의 회전 부분에 달려 있을 경우 부상이 발생할 수 있습니다.
- 몸을 무리하게 뺏지 마세요. 안정된 자세와 균형을 유지하세요. 예상하지 못한 상황에서 전동공구에 대한 제어력이 떨어지지 않도록 하세요.
- 옷을 적절하게 입어야 합니다. 헐렁한 옷이나 액세서리를 착용하지 마세요. 머리, 옷과 장갑을 움직이는 부품에서 멀리 하세요. 헐렁한 옷, 액세서리, 긴 머리등은 움직이는 부품에 걸려 얽힐 수 있습니다.
- 통지 배출 및 집진 장비와 연결하는 장치가 있을 경우 정확하게 연결한 후 올바르게 사용하세요. 이 장치들을 통해 위험요소를 가진 먼지들을 제거할 수 있습니다.
- 공구를 자주 사용하여 친숙한 사용자는 공구 안전 원칙을 준수하지 않을 수 있습니다. 부주의한 행동은 순식간에 심각한 부상을 초래할 수 있습니다.

### 전동공구의 사용과 관리

- 전동공구에 무리한 힘을 가하지 마세요. 작업용도에 알맞는 공구를 사용하세요. 용도에 맞는 공구를 사용해야 효과적이고 안전한 작업이 가능합니다.
- 전원 스위치가 작동하지 않으면 제품을 사용하지 마세요. 스위치로 조작이 불가능한 전동공구는 위험하니 반드시 수리를 받으세요.



- c. 설정을 조정하거나, 부품을 교환하거나 보관 할 때는 플러그를 뽑아주세요. 이와 같은 안전 조치는 전동 공구가 의도치 않게 시동되는 것을 방지해줍니다.
- d. 사용하지 않는 전동공구는 어린이의 손이 닿지 않는 곳에 보관하세요. 조작 방법에 익숙하지 않은 사람이 전동공구를 작동하지 못하게 해주세요. 숙달되지 않은 사용자에게 전동 공구는 위험할 수 있습니다.
- e. 전동공구를 잘 관리하세요. 부품 파손, 구동 부위의 고정 상태, 구동 부위의 정렬 상태 등을 확인하고 기타 공구의 작동에 영향을 줄 수 있는 다른 환경도 점검하세요. 고장이 발견되면 사용하기 전에 수리를 받으세요. 많은 사고가 제대로 관리되지 않은 공구 때문에 발생합니다.
- f. 절단 도구는 날카롭고 청결하게 유지하세요. 날카로운 절단면을 가진 잘 정비된 절단 도구는 움직임이 무뎠지 않고 제어하기도 쉽습니다.
- g. 전동공구와 액세서리, 톨비트 등을 관련 작업 조건과 작업특성을 고려해 본 설명서에 따라 사용하고 해당 전동공구에 맞게 사용하세요. 작업의 목적과 다른 공구를 사용하면 위험한 상황이 생길 수도 있습니다.
- h. 손잡이는 건조하고 깨끗하며 미끄럽지 않아야 합니다. 미끄러운 손잡이와 표면으로 인해 예기치 않은 상황에서 안전 사고가 일어날 수 있습니다.

### 전지의 사용과 관리

- a. 제조사에서 명시한 충전기만 사용하여 충전 하세요. 한 전지 제품에 안전한 충전기가 다른 전지에 사용했을 때는 화재가 일어날 수도 있습니다.
- b. 전동공구 전용의 전지만 사용하세요. 다른 제품을 사용할 경우, 부상과 화재의 위험이 있습니다.
- c. 전지를 사용하지 않을 때는 클립, 동전, 열쇠, 못, 나사, 기타 작은 금속 물건 등의 금속 물건들에서 멀리해 주세요. 전지 단자끼리 합선될 경우, 화상 또는 화재가 발생할 수 있습니다.
- d. 올바르게 사용하지 않을 경우, 전지의 액체가 흘러 나올 수도 있습니다. 액체와의 접촉을 피하세요. 만약 사고로 접촉되었을 경우 즉시 물로 행구어 내세요. 전지액이 눈과 접촉하면 치료를 받아야 합니다. 이 액체는 염주과 화상을 유발할 수 있습니다.
- e. 손상되거나 개조된 배터리 팩이나 도구를 사용하지 마십시오. 손상되거나 개조된 배터리는 예측할 수 없는 동작을 나타내어 화재, 폭발 또는 부상 위험을 초래할 수 있습니다.
- f. 배터리 팩이나 공구를 불이나 과도한 온도에 노출시키지 마십시오. 화재 또는 130°C 이상의 온도에 노출되면 폭발을 일으킬 수 있습니다.
- g. 모든 충전 지침을 따르고 지침에 지정된 온도 범위를 벗어나 배터리 팩이나 공구를 충전하지 마십시오. 부적절하게 충전하거나 지정된 범위를 벗어난 온도에서 충전하면 배터리가 손상되고 화재의 위험이 높아질 수 있습니다.

### 서비스

- a. 반드시 동일한 교체용 부품을 사용하여 전문 기술자에게 서비스를 받으세요. 이렇게 해야만 전동 공구의 안전이 확보될 수 있습니다.
- b. 손상된 배터리 팩을 수리하지 마십시오. 배터리 팩 수리는 제조업체 또는 공인 서비스 제공업체에서만 수행해야 합니다.

### 기계 관련 안전 사항

#### 드릴/드라이버 관련 안전 사항

패스너가 숨겨진 배선과 접촉할 수 있는 작업을 수행할 때는 전동 공구의 절연 그림 표면을 잡으십시오. "전류가 흐르는" 와이어와 접촉하는 패스너는 전동 공구의 노출된 금속 부분을 전도성으로 만들어 작업자가 감전될 수 있습니다.

작업 시 에너지 배선이나 배관 등이 매립되어 있는지 확인하려면 적절한 탐지기를 사용하거나 지역 에너지 관할 기관에 문의하세요. 전선과 닿으면 화재나 감전의 위험이 있습니다. 가스관이 손상되면 폭발로 이어질 수 있으며, 수도관이 파열되면 재산 피해와 감전의 위험이 있습니다.

공구가 차단되거나 움직이지 않는 경우 즉시 전동 공구를 끄십시오. 반동을 유발할 수 있는 높은 반응 토크에 대비하십시오. 이 도구는 다음과 같은 경우 차단됩니다.

- 전동 공구에 과부하가 걸렸을 때
- 또는 공작물에 끼었을 때.

**공구를 꼭 잡아야 합니다.** 나사를 조이거나 풀 때 강한 반동이 잠깐 발생할 수 있습니다.

**작업물을 잘 고정하세요.** 조임쇠 장치나 바이스에 작업물을 고정시키는 것이 손으로 고정하는 것보다 안정적입니다.

**작업장을 청결하게 유지하세요.** 소재가 혼합되면 특히 위험할 수 있습니다. 경금속 분진은 화재나 폭발을 일으킬 수 있습니다.

**사용하던 공구는 동작을 완전히 멈춘 후에 내려 놓아야 합니다.** 그렇지 않을 경우, 툴 홀더가 걸릴 수 있고 전동 공구를 통제하기 어려워 집니다.

**실수로 전원을 켜지 않도록 주의하세요.** 전지팩을 끼우기 전에는 트리거가 Off 위치에 있는지 확인해야 합니다. 트리거에 손가락을 건 채로 공구를 운반하거나, 전원이 켜진 공구에 전지팩을 끼우는 행위 등은 사고를 일으킬 수 있습니다.

## 충전기 관련 안전 경고



실내 전용

**충전기를 비나 습기로부터 보호하세요.** 충전기에 물이 들어가면 감전의 위험이 커집니다.

**다른 전지를 전용 충전기에 충전하지 마세요.** 해당 제품은 전동 공구와 함께 제공된 전지 전용 충전기입니다. 화재나 폭발의 위험이 있을 수 있으니 유의하세요.

**전지 충전기를 청결하게 유지하세요.** 깨끗하지 않은 상태에서는 감전의 위험이 있습니다.

**사용하기 전 반드시 충전기, 전선, 플러그를 확인하세요.** 고장이 발견되면 충전기 사용을 즉시 중단하세요. 충전기 본체를 임의로 개봉하지 마세요. 해당 제품은 전문 기술자만이 수리할 수 있습니다. 충전기, 전선, 플러그가 파손되면 감전의 위험이 있습니다.

**전지 충전기를 가연성 물건(종이, 텍스타일 등) 근처에서 사용하지 마세요.** 전지 충전기의 발열로 인한 화재의 위험이 있으니 주의하세요.

**아이들이 충전기를 갖고 놀지 못하도록 해주세요.**

## 진동 및 소음 정보

### 진동 및 소음 수준

이 사용 설명서에 명시된 진동 및 소음 방출 수준은 EN 62841의 표준화된 테스트에 따라 측정되었습니다. 이 설명서에 언급된 응용 분야에 공구를 사용할 때 이 수준은 한 공구를 다른 공구와 비교하고 진동 및 소음에 대한 노출에 대한 예비 평가로 사용할 수 있습니다. 그러나 다른 응용 분야에 공구를 사용하거나 다른 액세서리 또는 제대로 관리되지 않은 액세서리와 함께 사용하면 노출 수준이 크게 높아질 수 있습니다.

진동 및 소음에 대한 노출 수준을 추정할 때는 공구가 꺼져 있거나 작동 중이지만 사용하지 않는 시간도 고려해야 하며, 이는 전체 작업 기간 동안 노출 수준을 크게 줄일 수 있기 때문입니다. 공구와 액세서리를 유지 관리하고 손을 따뜻하게 유지하고 작업을 정돈하여 진동 및 소음의 영향으로부터 자신을 보호하십시오.

## 다른 위험

전동 공구를 정해진 대로 사용하더라도 다른 위험 요소를 모두 제거 할 수는 없습니다. 전동 공구의 구성 및 설계와 관련하여 다음과 같은 위험이 발생할 수 있습니다.



효과적인 방진 마스크를 착용하지 않으면 폐가 손상됩니다.



효과적인 청력 보호구를 착용하지 않으면 청력이 손상됩니다.



전동 공구를 장기간 사용하거나 적절하게 취급 및 유지 관리하지 않을 경우 진동으로 인해 건강이 손상됩니다.



**경고!** 이 전동 공구는 작동 중에 전자기장을 생성합니다. 경우에 따라 이 전자기장은 능동 또는 수동 의료용 이식 장치의 기능을 방해할 수 있습니다. 심각하거나 치명적인 부상의 위험을 줄이려면 의료용 이식 장치를 사용하는 사람이 이 기계를 작동하기 전에 의사 및 의료용 이식 장치 제조업체와 상의하는 것이 좋습니다.

## 조립

전동 공구를 정비(관리, 도구 교체 등)하거나 이동, 수납하기 전에는 회전 방향 스위치가 중간에 위치하는지 반드시 확인해주세요. 실수로 작동되면 부상의 위험이 있습니다.

## 먼저 안전 지침을 읽은 다음 충전 지침을 따르십시오.

USB-C 케이블 끝을 드라이버의 USB-C 포트에 연결합니다 (그림. 2) (A). 그런 다음 다른 USB 케이블 끝을 드라이버를 충전하기에 충분한 전원을 공급할 수 있는 USB 충전기 또는 USB 콘센트에 연결합니다. 케이블에 매듭이 생기거나 심하게 구부러진 곳이 없는지 확인하십시오.

드라이버가 USB-C 케이블로 전원 공급 장치에 연결되면 드라이버의 3개의 다이오드(그림. 2) (B)가 켜져 다음과 같이 충전 상태를 표시해 줍니다.

- 깜빡이는 빛 - 충전 진행 중

- 계속 켜져 있는 빛 - 충전 완료

드라이버의 배터리가 완전히 충전되고 드라이버가 계속

전원 공급 장치에 연결되어 있으면 다이오드가 계속 켜집니다. 정상적인 사용 조건에서 드라이버는 수백 번 재충전 할 수 있습니다.

**주의:** 제품과 함께 제공된 배터리는 테스트 용도로만 충전되어 있으며, 처음 사용 전 완충해야 합니다.

TRIXIG 트릭시그 전동 드라이버/드릴과 TRIXIG 트릭시그 배터리팩은 함께 사용하도록 설계되었습니다.

이 배터리팩으로 다른 제조업체의 무선 공구에 전원을 공급하지 마세요.

리튬이온 배터리는 '전자셀보호장치(Electronic Cell Protection, ECP)'에 의해 완전 방전되지 않습니다. 배터리가 완전 방전되면 보호 회로로 인해 공구의 전원이 꺼져 더 이상 작동되지 않으며, 끼워진 도구도 회전을 멈춥니다.



**경고** 공구의 전원이 자동으로 꺼진 후에 켜/끔 스위치를 계속 누르고 있지 마세요. 배터리가 손상될 수 있습니다.



**경고** 불연성 표면에서 배터리를 충전하세요. 배터리는 8시간 이상 충전하면 안 됩니다.

## 사용 방법

### 작동

본 기본 무선 드라이버 제품은 여러 길이와 종류의 6각형 몸체(6.35 mm)를 가진 비트를 끼울 수 있습니다.

### 비트 끼우기 (그림 3)

나사에 알맞는 비트를 선택하세요. 비트를 드라이버의 드라이브 끝까지 잘 끼워 넣으세요.

**주의:** 이 제품으로 나사를 끼우려면 먼저 파일릿 홀을 뚫는 것이 좋습니다.

### 켜기 및 끄기

드라이버를 작동하려면 온/오프 스위치(3)를 누르십시오. 온/오프 스위치를 놓으면 드라이버가 중지됩니다. 나사를 풀기 위해 회전 방향을 변경하려면 회전 방향 스위치(7)를 누르십시오.

### 축 자동 잠김

전원이 꺼지면 축도 자동적으로 잠깁니다. 이렇게 해서 드라이버를 수동으로 사용하는 것도 가능합니다.

### 자석 비트 홀더

사용 중인 비트를 전동 드라이버 위쪽에 있는 마그네틱 비트 홀더에(5) 끼우고 작업하는 동안 가까이에 두고 사용할 수 있습니다.

### LED 작업등

전동 드라이버에는 작업 영역을 비추는 LED 작업등이 장착되어 있습니다. 트리거 스위치를 누를 때마다 LED 작업등이 켜지고 트리거 스위치에서 손을 떼면 꺼집니다.

### 관리 및 세척

제품을 청결하게 유지하고 물에 젖지 않도록 해야 정상적으로 안전하게 작동합니다. 부드러운 천에 물을 묻혀 이물질들을 닦아내세요. 세제나 용액을 사용하지 마세요.

안전하고 올바른 작동을 위해 반드시 공구와 환기구를 청결하게 유지해주세요.

한국어본 제품은 가정용으로, 전문가가 수행하는 상업적 또는 공인된 측정에 사용하도록 제작되지 않았습니다.

나중에 사용할 수 있도록 이 설명서를 보관하십시오.

제조업체: **IKEA of Sweden AB**

주소: **Box 702, SE-343 81 Älmhult, SWEDEN**



배터리와 충전식 배터리는 가정 쓰레기가 아닙니다! 소비자는 법에 따라 유해 물질\*이 포함되어 있는지 여부에 관계없이 모든 배터리 및 축압기를 지방 자치 단체/이웃의 수거 장소 또는 배터리 폐기를 제공하는 상업 기관을 통해 폐기하여 환경적으로 건전한 방식으로 폐기할 수 있도록 해야 합니다.

\* 다음과 같이 표시: Cd = 카드뮴, Hg = 수은, Pb = 납



바퀴달린 통과 엑스포시는 제품을 일반 가정용 쓰레기와는 분리하여 배출해야 한다는 것을 알려주는 표시입니다. 거주 지역의 분리 배출관련 환경 규정에 따라 재활용을 해야 하는 제품입니다. 이렇게 표시된 제품들을 일반 가정용 쓰레기와 구분하는 작업을 통해, 소각장이나 매립지로 보내는 쓰레기의 양을 줄이는 데 기여하고, 인류의 건강과 환경에 미치는 잠재적인 악영향을 최소화할 수 있습니다. 자세한 사항은 이케아 매장으로 문의해 주세요.

# 日本語

## TRIXIG/トリクシグ コードレススクリウドライバー 3.6V

### 仕様

型式：TRIXIG/トリクシグ

タイプ：P2201

電圧：3.6 Vdc.

バッテリータイプ：1.5Ah/5.4Wh リチウムイオンバッテリー

充電時間：30分以内

最大ハードトルク：約5 Nm

最大回転数（無負荷時）：200/min

ビットホルダー：6.35mm (1/4")

振動（EN 62841-1、EN 62841-2-2に準拠）：

ドライバー（インパクト式でない）： $a_n=0.34\text{m/s}^2$ 、 $K=1.5\text{m/s}^2$

騒音（EN 62841-1に準拠）：

騒音プレッシャーレベル  $L_{pA}=59\text{dB}$  (A)、 $K_{pA}=3\text{dB}$  (A)

騒音パワーレベル  $L_{wA}=70\text{dB}$  (A)、 $K_{wA}=3\text{dB}$  (A)

室内専用。

推奨充電定格：

5.0V DC / 1.0～3.0A (タイプC)、充電温度 0～50°C

### 本製品の機能

表示されている製品機能の番号は、図ページの写真1に対応しています。

1. ドライバー本体
2. ドライバービットホルダー
3. オン/オフスイッチ
4. USB-C充電ソケット
5. 磁気ビットホルダー
6. LEDランプ
7. 回転方向スイッチ
8. LEDバッテリー残量インジケーター

### ご注意！

USB-CケーブルとUSB充電器は付属しておりません。

### 用途

この工具は、所定の目的にのみ使用してください。その他の用途での使用は、誤用と見なされます。この電動ドライバーは、ネジの取り付け・取り外し作業に適しています。

### 安全上のご注意

#### 電動工具の使用に関する安全上のご注意



警告！ この電動工具に付属のすべての安全上の警告、指示、図、仕様をお読みください。以下のすべての指示に従わないと、感電や火災が発生したり、重篤なけがを負ったりする恐れがあります。

すべての警告と指示は、後で参照できるよう保管してください

この警告にある「電動工具」という用語は、主電源操作型（コード付き）電動工具またはバッテリー駆動型（コードレス）電動工具を指します。

### 作業環境に関する安全上の注意事項

- 作業場は整理整頓し、明るくしてください。作業場が暗かったり、散らかっていると事故の原因になります。
- 可燃性の液体やガス、粉じんのところで電動工具を使用したり、充電したりしないでください。電動工具から発生する火花が液体やガス、粉じんに引火し、爆発するおそれがあります。
- 電動工具の使用中は、そばに子どもや作業者以外の人を近づけないでください。気が散ると、事故やケガを引き起こしやすくなります。

### 電気に関する安全上の注意事項

- 電動工具のプラグは、コンセントに適合している必要があります。プラグは絶対に改造しないでください。アース（接地）して使用する電動工具の電源コードのプラグにさらにアダプタープラグを使用しないでください。感電の危険を減らすため、プラグとコンセントが適合しているか確認し、プラグは絶対に改造しないでください。
- 感電事故を防ぐため、電動工具の使用中は、身体をアース（接地）されているものに接触させないようにしてください（例えばパイプ、暖房器具、電子レンジ、冷蔵庫などの外枠）。
- 雨のあたる場所や湿気の高い場所では使用しないでください。電動工具の内部に水が入ると、感電の危険があります。
- 電源コードを乱暴に扱わないでください。コードを持って電動工具を運んだり、コードを引っ張ってコンセントから抜かないでください。コードを熱源や油、刃物、工具の可動部などに近づけないでください。コードが損傷したり、からまると、感電の危険があります。
- 電動工具を屋外で使用する場合は、屋外用延長コードをお使いください。感電の危険を減らせます。
- どうしても湿度の高い場所で電動工具を使って作業しなければならない場合は、漏電遮断機（RCD）をご使用ください。漏電遮断機を使用することで感電の危険性を減らせます。

### 事故防止のための注意事項

- 電動工具を使用する際は、取扱方法や作業手順、周りの状況などに十分注意して慎重に作業してください。疲れている場合や、薬を服用している場合、お酒を飲んだ場合には、電動工具を使用しないでください。集中力が欠けると、重大なケガにつながるおそれがあります。
- ケガを防ぐため、作業時には安全保護具と保護メガネを着用してください。状況に応じて、防塵マスクや滑り止め付き安全靴、ヘルメット、防音保護具を着用してください。
- 不意な始動を避けるため、プラグを電源に差し込む際やバッテリーパックを装着する際、電動工具をつかんだり持ち運ぶ際は、あらかじめ電動工具のスイッチが切れていることを確認してください。スイッチに指を掛けて運んだり、スイッチが入った状態でプラグを電源に差し込まないでください。事故につながるおそれがあります。
- スイッチを入れる前に、調節キーやレンチはすべて取り外してください。電動工具の回転部分にキーやレンチをつけたままにすると、ケガをするおそれがあります。
- 無理な姿勢で作業をしないでください。常に足元をしっかりとらせ、バランスを保つようにしてください。予期しない状況でも電動工具を制御しやすくなります。
- 作業はきちんとした服装で行ってください。だぶだぶの衣服やアクセサリは、工具の回転部に巻き込まれるおそれがあるので、着用しないでください。衣服や手袋、髪の毛などが工具の回転部に巻き込まれないよう注意してください。
- 工具を集じん機に接続する場合は、工具と集じん機が正しく接続されているか、また集じん機が正しく作動しているか確認してください。集じん機を使用することで、粉じんや削りくずの飛散を防ぐことができ、より安全に作業できます。
- 工具を頻繁に使って扱いに慣れてきても、楽観的になって安全原則を無視しないでください。不注意な行動は瞬時に重大なケガにつながる危険があります。

## 電動工具の使用に関する注意事項

- a. 電動工具の無理な使い方はしないでください。用途に適した電動工具を使用してください。用途に合った工具を適切に使用することで、効率よく安全に作業ができます。
- b. **スイッチのオン/オフができない場合は使用しないでください。**スイッチが故障したまま使うと大変危険です。必ず修理をしてください。
- c. **不意な始動を防ぐため、電動工具の調整や保管、アクセサリーの交換の際には、必ず電源からプラグを抜き、バッテリーパックを取り外してください。**
- d. **電動工具を使用しないときは、おさまの手の届かない場所に保管してください。**電動工具の扱いに慣れていない人や、この取扱説明書の注意事項を理解していない人には操作させないでください。初心者がひとりで操作すると危険です。
- e. **電動工具は定期的にお手入れや点検を行ってください。**可動部分のかみ合わせや締め付け具合、部品の破損など、作動に影響を及ぼすすべての箇所に異常がないか確認してください。破損箇所や故障箇所のある場合は、修理してから使用してください。お手入れや点検を怠ると、事故につながるおそれがあります。
- f. **刃のついたパーツは常に手入れをして、よく切れる状態を保ってください。**刃の切れ味がよいと、材料にひっかかりにくくなり、作業がしやすくなります。
- g. **電動工具やアクセサリー、ツールビットは使用上の注意に従って正しくお使いください。**アクセサリーやツールビットは各電動工具に対応したものをお使いください。電動工具を使用する際は、あらかじめ作業環境を整え、慎重に作業を行ってください。電動工具を本来の用途以外に使用すると、重大なケガにつながる危険があります。
- h. **ハンドルや把持面は、常に乾いていてきれいな、油脂の付着していない状態を維持してください。**ハンドルや把持面がすべりやすいと、予期せぬ状況で工具を安全に操作・制御できません。

## バッテリーパックの使用に関する注意事項

- a. **バッテリーパックを充電する際は、必ずメーカー指定の充電器を使用してください。**指定充電器以外の充電器を使用すると、火災につながるおそれがあります。
- b. **電動工具には指定の専用バッテリーパック以外は使用しないでください。**指定外のバッテリーパックを使用するとケガや火災の原因となります。
- c. **バッテリーパックを保管する際は、クリップやコイン、鍵、釘、ネジなどの金属と接触させないようにしてください。**金属でバッテリーパックのプラス極とマイナス極が接続されると、バッテリーパックがショートしてヤケドや火災につながるおそれがあります。
- d. **バッテリーパックを誤って使用すると、液漏れするおそれがあります。**漏れた液には直接触れないでください。万が一皮膚についた場合は、すぐに水で洗い流してください。目に入った場合は、すぐに水で洗ってから、医師の診察を受けてください。炎症やヤケドを引き起こすおそれがあります。
- e. **破損または改造されたバッテリーパックや工具は使用しないでください。**破損または改造されたバッテリーは、予期しない動作により火災、爆発、けがの危険をもたらす恐れがあります。
- f. **バッテリーパックや工具を火や過度の高温にさらさないでください。**火や130°Cを超える高度にさらされると、爆発を引き起こす恐れがあります。
- g. **すべての充電手順に従ってください。**バッテリーパックや工具は、手順で指定された温度の範囲外では充電しないでください。不適切に、または指定された範囲外の温度で充電すると、バッテリーが破損し、火災の危険性が高まる恐れがあります。

## サービス

- a. **修理は必ず専門店に依頼し、交換部品は純正品のみをご使用ください。**  
本製品を安全にお使いいただくために、必ずこの注意事項を守ってください。
- b. **破損したバッテリーパックは絶対に修理しないでください。**バッテリーパックの修理は、必ず製造元または認定サービス代理店のみが行ってください。

## 製品仕様および安全上のご注意

### スクリュードライバー/ドリルの使用に関する安全上のご注意

作業中に留め具が表面から見えない配線に接触する恐れがある場合は、絶縁されたグリップ部を持って電動工具を使用してください。留め具が通電中の配線に接触すると、電動工具の金属表面が導電性を持ち、使用者が感電する恐れがあります。

専用の検知器を使って、作業する箇所に電気配線やガス管、水道管などがいないか確認してください。この作業に関してご不明な点がある場合は、お近くの専門業者にお問い合わせください。電気配線に接触すると、火災や感電につながるおそれがあります。ガス管を破損すると、爆発を引き起こすおそれがあります。水道管を破損すると、家財の水濡れや感電につながるおそれがあります。

電動工具がロックしたり動かなくなったりした場合は、直ちに電源を切りってください。反動の原因となるような高い反作用トルクに注意してください。工具は、次の場合に動かなくなります。

- ・ 過負荷となった場合
- ・ 対象物に挟まった場合

工具はしっかりと持ってください。ネジの取り付け・取り外しの作業中に突然キックバックが起きるおそれがあります。

材料はしっかりと固定してください。クランプや万力を使うと、手で押さえるよりも、安全にしっかりと固定できます。

作業場は常に整理整頓してください。さまざまな原材料が散らかった作業場では、原材料が混ざって思わぬ事故につながる危険があります。軽合金から発生する粉じんが可燃性のガスなどに引火すると、爆発の危険もあります。

必ず工具が完全に停止したことを確認してから、工具を材料から外して降ろしてください。工具が動いているうちに外そうとすると、ビットが材料に挟まり、工具を制御できなくなる危険があります。

不意な始動を避けるため、バッテリーパックを装着する前にトリガーがしっかりとロックされていることを確認してください。トリガーに指を掛けて運んだり、スイッチが入った状態でバッテリーパックを装着しないでください。これらの行為は事故の原因となります。

### バッテリー充電用ACアダプターの使用に関する安全上のご注意



室内専用。

雨のあたる場所や湿気の高い場所では使用・保管しないでください。ACアダプターの内部に水が入ると、感電の危険性が高まります。

このACアダプターで他のバッテリーを充電しないでください。このACアダプターは、本電動工具に内蔵のバッテリーの充電にのみ使用できます。指定された用途以外に使用すると、火災や破裂の危険があります。

ACアダプターはいつもきれいな状態でご使用ください。ゴミやホコリが付着すると、感電の危険があります。



雨のあたる場所や湿気の高い場所では使用・保管しないでください。ACアダプターの内部に水が入ると、感電の危険性が高まります。

このACアダプターで他のバッテリーを充電しないでください。このACアダプターは、本電動工具に内蔵のバッテリーの充電にのみ使用できます。

指定された用途以外に使用すると、火災や破裂の危険があります。

ACアダプターはいつもきれいな状態でご使用ください。ゴミやホコリが付着すると、感電の危険があります。

子どもがACアダプターで遊ばないように注意してください。

## 振動・騒音情報

### 振動・騒音レベル

本書に記載の振動・騒音レベルは、EN62841で標準化された試験により測定されています。この情報は、ある工具を別の工具と比較する際に、また、本書に記載の用途で工具を使用する際の振動と騒音への暴露の予備評価として、使用できます。ただし、他の用途に工具を使用する場合、別の付属品を使用する場合、保守が不十分な場合などは、暴露レベルが大幅に増加する恐れがあります。

振動・騒音への暴露レベルを推定する際は、工具の電源が切られていた時間や、工具を使用せずに電源を入れたままにしていた時間も考慮する必要があります。工具とその付属品を保守し、手を冷やさず、作業の段取りを整えることで、振動や騒音の影響から身を守ってください。

### その他の危険

電動工具を指示どおりに使用しても、他のすべての危険を排除することはできません。電動工具の構造と設計に関連して、次の危険が発生する恐れがあります。



効果的な防塵マスクを着用しない場合、肺の損傷。



効果的な聴覚保護具が着用されていない場合、聴覚障害。



電動工具を長期間使用している場合や適切に取り扱い保守していない場合、振動による健康被害。



**警告！** この電動工具の動作中は、電磁界が発生します。この電磁界は、状況によっては医療用インプラントに能動的または受動的に干渉する恐れがあります。重篤なけがや致命傷を防止するため、医療用インプラントを使用している方は、この工具を操作する前に医師および医療用インプラントの製造元に相談するよう推奨します。

### 工具の取り扱い

工具を取り扱う際（メンテナンスやツールの交換など）や、移動・保管する際は、正逆転切替スイッチを真ん中で止めてトリガーをロックしてください。誤ってトリガーを押し、工具が不意に始動するとケガをする危険があります。

まず安全上の注意をお読みのうえ、充電手順に従ってください。

USB-CケーブルをドライバーのUSB-Cポート(写真2)(A)に接続します。次に、USBケーブルのもう一方の端を、ドライバーの充電時に十分な電力を供給できるUSB用充電器かUSB用コンセントに接続します。ケーブルに結び目や極端な湾曲がないことを確認します。

ドライバーをUSB-Cケーブルで電源に接続すると、ドライバーの3つのLEDランプ(写真2)(B)がつき、次のように充電状態を示します。

- 点滅：充電中

- 点灯：充電完了

ドライバーのバッテリーが完全に充電された後もドライバーを

電源に接続したままにすると、LEDランプは点灯したままになります。通常の使用条件下では、ドライバーは数百回充電できます。

**注意：**付属のバッテリーは、お買い上げ時にはテスト用の電力しか充電されていません。初めてご使用になる前に、必ずフル充電してください。

TRIXIG/トリクシング バッテリーパックは、TRIXIG/トリクシング 電動ドライバー/ドリル専用です。

このバッテリーパックは、ほかのメーカーのコードレスツールには絶対使用しないでください。

本製品のリチウムイオンバッテリーには、バッテリーの過負荷を防ぐ「電子セル保護システム(ECP機能)」が付いています。バッテリーが空になると、保護回路により電源が自動的に切れ、ビットの回転が止まります。



**警告：**電源が自動的に切れたあとに電源スイッチ(トリガー)を押し続けしないでください。バッテリーが損傷するおそれがあります。



**警告：**充電は、まわりに燃えやすいものがない安全な場所で行ってください。バッテリーは8時間以上充電しないでください。

## 使用方法

### 機能

このコードレススクレイドライバーは、六角二面幅が6.35mm(1/4")のさまざまな種類のドライバービットを取り付けられます。

### ドライバービットの取り付け(図3)

使用するネジに合ったドライバービットを選んで、本体の先端部分の取り付け位置(ビットホルダー)に差し込んでください。このとき、ビットがしっかりと奥まで入ったことを確認してください。

**注意：**本製品でネジを取り付ける時には、先に下穴を開けると作業がしやすくなります。

### 電源のオンとオフ

ドライバーとして使用する場合は、オン/オフスイッチ(3)を握って押します。オン/オフスイッチを離すと、ドライバーは停止します。ネジを外すのに回転方向を変えるには、回転方向スイッチ(7)を押します。

### 回転軸オートロック機能

本製品の回転軸部分はスイッチを切ると自動的にロックされます。手動のドライバーとして使うこともできます。

## マグネットビットホルダー

ドライバー/ドリル上部のマグネットビットホルダーで (5)、使用しているビットを作業中に手元に置いておくことができます。

## LEDワークライト

ワークエリアを照らすLEDワークライトを内蔵しています。トリガースイッチを握るたびにLEDワークライトが点灯し、トリガースイッチを放すと消えます。

## メンテナンスとお手入れ

本製品を正しく安全にお使いいただくために、常に汚れなく乾いた状態で使用・保管してください。水で湿らせた柔らかい布でゴミや汚れを拭き取ってください。洗剤や溶剤は使用しないでください。

正しく安全に作業を行うため、本体と通風口はいつもきれいにしてください。

日本語本製品は業務用ではなく、家庭で使用することを想定しています。商業用、または専門業者による計測などには使用できません。

本書は後日参照できるよう保管してください。

製造元：IKEA of Sweden AB (イケア・オブ・スウェーデンAB)

所在地：Box 702, SE-343 81 Älmhult, SWEDEN



バッテリーは、充電式も含めて、家庭ごみとして廃棄できません。消費者は、有害物質\*の有無にかかわらず、すべてのバッテリーと蓄電池を環境に配慮した方法で廃棄できるよう、自治体/地域の収集場所またはバッテリーの廃棄を行う営利団体を通じて廃棄することが法律で義務付けられています。

\*次の記号が記載されています：Cd=カドミウム、Hg=水銀、Pb=鉛



「Crossed-out wheeled bin」マークは、廃棄する際に一般の家庭ゴミと区別する必要があることを意味しています。このマークの付いた製品は、お住まいの地域の分別ルールに従ってリサイクルに出してください。一般の家庭ゴミと分けてリサイクルすることで、焼却炉やゴミ埋め立て施設に持ち込まれるゴミの量を削減できるうえ、健康や環境への潜在的な負荷を軽減できます。詳しくは、お近くのイケアストアにお問い合わせください。

使用済の充電式バッテリーは、日本国内のどのイケアストアでも回収いたします。

# Bahasa Indonesia

**Obeng tanpa kabel TRIXIG 3,6V**

## SPESIFIKASI TEKNIS

**Model:** TRIXIG

**Type:** P2201

**Tegangan:** 3.6 Vdc.

**Jenis Baterai:** 1.5 Ah / 5.4Wh Lithium-Ion

**Waktu pengisian daya:** <300 Menit

**Maks. torsi keras:** kira-kira 5 Nm

**Kecepatan maksimum tanpa beban:** 200/min

**Tempat mata obeng:** 6.35 mm (1/4")

**Getaran (menurut EN 62841-1, EN 62841-2-2):**

Obeng tanpa benturan:  $a_h = 0.34 \text{ m/s}^2$ ,  $K = 1.5 \text{ m/s}^2$ .

**Kebisingan (menurut EN 62841-1):**

Tingkat tekanan kebisingan  $L_{pA} = 59 \text{ dB (A)}$ ,  $K_{pA} = 3 \text{ dB (A)}$

Tingkat daya kebisingan  $L_{wA} = 70 \text{ dB (A)}$ ,  $K_{wA} = 3 \text{ dB (A)}$

**Hanya untuk penggunaan dalam ruang.**

**Peringkat pengisian daya yang disarankan:**

5.0V d.c. / 1.0-3.0A (tipe C), suhu pengisian daya 0-50°C

## Fitur produk

Penomoran fitur produk yang ditampilkan mengacu pada gambar no. 1 di halaman gambar.

1. Bodi utama obeng
2. Dudukan mata obeng
3. Sakelar ON/OFF
4. Soket pengisi daya USB-C
5. Dudukan mata magnetik
6. Lampu kerja LED
7. Sakelar arah putaran
8. Indikator status daya LED

## CATATAN!

Kabel USB-C dan pengisi daya USB tidak disertakan.

## AREA PENGGUNAAN

Obeng listrik ini digunakan sesuai untuk memasukkan dan melepaskan sekrup.

Alat ini hanya boleh digunakan untuk tujuan yang ditentukan. Penggunaan lain dianggap sebagai kasus penyalahgunaan.

## PETUNJUK UMUM KESELAMATAN

### Petunjuk umum keselamatan untuk power tools



**PERINGATAN!** Baca semua peringatan keselamatan, petunjuk, ilustrasi, dan spesifikasi yang disertakan bersama alat listrik ini. Kegagalan untuk mengikuti semua petunjuk yang tercantum di bawah ini dapat mengakibatkan sengatan listrik, kebakaran, dan/atau cedera serius.

**Simpan semua peringatan dan petunjuk untuk referensi di masa mendatang**

Istilah "alat listrik" dalam peringatan mengacu pada alat listrik yang dioperasikan dengan listrik (kabel) atau alat listrik yang dioperasikan dengan baterai (nirkabel).

#### Keamanan area kerja

- Jaga area kerja bersih dan terang.** Daerah berantakan dan gelap mengundang kecelakaan.
- Jangan mengoperasikan alat-alat listrik di atmosfer yang bisa meledak, seperti dengan adanya cairan yang mudah terbakar, gas atau debu.** Alat-alat listrik membuat percikan api yang dapat membakar debu asap.
- Jauhkan anak-anak dan para pengamat menjauh sementara operasi alat kekuasaan.** Gangguan dapat menyebabkan anda kehilangan kontrol.

#### Keamanan listrik

- Daya colokan alat harus sesuai outlet. Jangan memodifikasi steker dengan cara apapun.** Jangan menggunakan adaptor dengan colokan alat-alat listrik di lantai (tanah.. Busi dimodifikasi dan outlet yang sesuai akan mengurangi risiko kejutan listrik.
- Hindari kontak tubuh dengan permukaan di lantai atau tanah seperti pipa, radiator, rentang dan lemari es.** Ada peningkatan risiko sengatan listrik jika tubuh anda di lantai atau tanah.
- Jangan mengekspos power tool untuk hujan atau kondisi basah.** Air yang masuk power tool akan meningkatkan risiko sengatan listrik.
- Jangan menyalahgunakan kabelnya. Jangan menggunakan kabel untuk membawa, menarik atau mencabut power tool.** Jauhkan kabel dari panas, minyak, tepi tajam atau bagian yang bergerak. Kabel rusak atau terbelit meningkatkan risiko sengatan listrik.
- Ketika mengoperasikan power tool di luar ruangan, gunakan kabel ekstensi yang cocok untuk penggunaan outdoor.** Penggunaan kabel yang cocok untuk penggunaan outdoor mengurangi risiko sengatan listrik.
- Jika operasi alat listrik di lokasi yang lembab tidak dapat dihindari, gunakan perangkat yang dilindungi arus sisa (RCD) pasokan.** Penggunaan RCD mengurangi risiko sengatan listrik.

## Keselamatan pribadi

- a. **Tetap waspada, perhatikan apa yang anda lakukan dan menggunakan akal sehat saat mengoperasikan alat kekuasaan.** Jangan gunakan alat kekuasaan saat anda lelah atau di bawah pengaruh obat-obatan, alkohol atau obat. Sesaat kurangnya perhatian saat mengoperasikan alat-alat listrik dapat menyebabkan cedera pribadi yang serius.
- b. **Gunakan peralatan perlindungan pribadi.** Selalu memakai pelindung mata. Peralatan pelindung seperti masker debu, sepatu pengaman anti selip, topi keras, atau perlindungan pendengaran digunakan untuk kondisi yang tepat akan mengurangi cedera pribadi.
- c. **Mencegah mulai tidak disengaja: Pastikan bahwa saklar dalam posisi off-sebelum terhubung ke sumber listrik dan / atau kemasan baterai, mengambil atau membawa alat.** Membawa alat-alat listrik dengan jari anda pada switch atau mencolokkan alat-alat listrik yang memiliki aktifkan mengundang kecelakaan.
- d. **Lepaskan semua kunci yang dipasang atau kunci sebelum menyalakan daya pada alat.** Sebuah kunci Inggris atau tombol kiri menempel ke bagian berputar dari alat listrik dapat menyebabkan cedera pribadi.
- e. **Jangan melampaui batas. Jauhkan pijakan yang tepat dan keseimbangan setiap saat.** Hal ini memungkinkan kontrol yang lebih baik dari power tool dalam situasi tak terduga.
- f. **Berpakaian secara layak. Jangan memakai pakaian yang longgar atau perhiasan.** Menjaga rambut Anda, pakaian dan sarung tangan menjauh dari bagian yang bergerak. Pakaian longgar, perhiasan atau rambut panjang dapat ditangkap di bagian yang bergerak.
- g. **Jika disediakan perangkat untuk sambungan dari ekstraksi debu dan fasilitas pengumpulan, pastikan ini adalah terhubung dan benar digunakan.** Penggunaan perangkat ini dapat mengurangi bahaya debu terkait.
- h. **Jangan biarkan kebiasaan yang didapat dari penggunaan alat yang sering membuat Anda menjadi terlena dan mengabaikan prinsip-prinsip keselamatan alat.** Tindakan ceroboh dapat menyebabkan cedera parah dalam sepersekian detik.

## Penggunaan dan perawatan alat listrik

- a. **Jangan memaksa alat listrik.** Gunakan alat listrik yang benar untuk aplikasi anda. Alat listrik yang benar akan melakukan pekerjaan lebih baik dan lebih aman pada tingkat yang dirancang.
- b. **Jangan gunakan alat listrik jika saklar tidak menyalakannya dan mematikan.** Setiap alat listrik yang tidak dapat dikontrol dengan saklar berbahaya dan harus diperbaiki.
- c. **Lepaskan steker dari sumber listrik dan / atau baterai sebelum membuat penyesuaian, mengubah aksesoris, atau menyimpan alat-alat listrik.** Keamanan seperti langkah-langkah pencegahan mengurangi risiko kecelakaan menyalakan perkakas listrik.
- d. **Simpan alat-alat listrik yang tidak sedang digunakan jauh dari jangkauan anak-anak dan tidak mengizinkan orang yang tidak terbiasa dengan alat listrik atau dengan instruksi ini untuk mengoperasikan alat listrik.** Alat-alat listrik berbahaya di tangan pengguna yang tidak terlatih.
- e. **Menjaga alat-alat listrik. Periksa salah jajaran atau pengikatan bagian yang bergerak, kerusakan suku cadang dan kondisi lainnya yang dapat mempengaruhi jalannya perkakas listrik itu.** Jika rusak, memiliki alat diperbaiki sebelum digunakan. Banyak kecelakaan terjadi karena perkakas listrik yang tidak terawat.
- f. **Jauhkan alat pemotong yang tajam dan bersih.** Alat pemotong terjaga dengan tepi yang tajam cenderung tidak mengikat dan lebih mudah untuk mengontrol.
- g. **Gunakan alat listrik, aksesoris dan alat bit dll, sesuai dengan petunjuk ini dan dengan cara yang dimaksudkan untuk jenis tertentu dari alat listrik, dengan mempertimbangkan kondisi kerja dan pekerjaan yang akan dilakukan.** Penggunaan perkakas listrik untuk operasi yang berbeda dengan yang dimaksudkan akan mengakibatkan situasi yang membahayakan.

- h. Jaga agar pegangan dan permukaan pegangan tetap kering, bersih dan bebas dari minyak dan lemak.** Gagang yang licin dan permukaan genggaman tidak memungkinkan penanganan dan kontrol alat yang aman dalam situasi yang tidak terduga.

#### **Penggunaan dan perawatan peralatan baterai**

- a. Isi ulang hanya dengan pengisi daya yang ditentukan oleh produsen.** Pengisi daya yang cocok untuk satu jenis baterai dapat menciptakan risiko kebakaran bila digunakan dengan kemasan baterai lainnya.
- b. Gunakan alat-alat listrik hanya dengan kemasan baterai khusus yang ditunjuk.** Penggunaan setiap kemasan baterai lain mungkin membuat risiko cedera dan api.
- c. Bila baterai tidak digunakan, jauhkan dari benda logam lain, seperti penjepit kertas, koin, kunci, paku, sekrup atau benda logam kecil yang dapat membuat koneksi dari satu terminal ke yang lain.** Shorting terminal baterai bersama-sama dapat menyebabkan luka bakar atau kebakaran.
- d. Dalam kondisi yang melecehkan, cair dapat dikeluarkan dari baterai, hindari kontak.** Jika kontak tidak sengaja terjadi, siram dengan air. Jika cairan kontak mata, tambahkan minta bantuan medis. Cair dikeluarkan dari baterai dapat menyebabkan iritasi atau luka bakar.
- e. Jangan gunakan unit baterai atau alat yang rusak atau dimodifikasi.** Baterai yang rusak atau dimodifikasi dapat menimbulkan kinerja yang tidak terduga sehingga mengakibatkan kebakaran, ledakan, atau risiko cedera.
- f. Hindarkan baterai atau alat dari api atau suhu yang berlebihan.** Paparan api atau suhu di atas 130 °C dapat menyebabkan ledakan.
- g. Ikuti semua petunjuk pengisian daya dan jangan mengisi daya unit baterai atau alat di luar kisaran suhu yang ditetapkan dalam petunjuk.** Mengisi daya dengan cara yang salah atau pada suhu di luar kisaran yang ditetapkan dapat merusak baterai dan meningkatkan risiko kebakaran.

#### **Servis**

- a. Harap carilah ahli yang menggunakan suku cadang asli untuk memperbaiki peralatan listrik anda.**  
Ini akan memastikan bahwa keselamatan power tool terjaga.
- b. Jangan pernah menyervis unit baterai yang rusak.** Servis unit baterai hanya boleh dilakukan oleh produsen atau penyedia servis resmi.

#### **INSTRUKSI KESELAMATAN SPESIFIK MESIN**

##### **Peringatan keselamatan untuk bor dan obeng**

**Pegang alat listrik pada permukaan genggam berinsulasi saat mengoperasikan di mana pengencang dapat menyentuh kabel yang tersembunyi.** Pengencang yang menyentuh kawat "beraliran listrik" dapat terkena bagian logam dari konduksi alat listrik dan operator dapat terkena kejutan listrik

**Gunakan detektor logam yang cocok untuk mencari kabel dan pipa yang tidak terlihat, atau hubungi perusahaan listrik lokal anda untuk meminta bantuan.** Sentuhan dengan kabel listrik dapat menyebabkan kebakaran dan sengatan listrik. Pipa gas yang rusak bisa mengakibatkan ledakan. Menembus garis air menyebabkan kerusakan properti atau dapat menyebabkan sengatan listrik.

**Segera matikan alat bila tersumbat atau macet.** Bersiaplah terhadap reaksi kecepatan putaran yang tinggi dan dapat menyebabkan dorongan balik. Alat ini menjadi tersumbat bila:

- alat digunakan dengan beban berlebihan
- atau alat macet dalam bidang yang dikerjakan.

**Tahan mesin dengan mencengkeram.** Torsi reaksi yang tinggi secara singkat dapat terjadi saat mengemudi masuk dan memutar sekrup.

**Amankan benda kerja.** Sebuah benda kerja dijepit dengan perangkat menjepit atau wakil diselenggarakan lebih aman daripada dengan tangan.

**Jaga tempat kerja anda bersih.** Campuran bahan sangat berbahaya. Debu logam ringan bisa terbakar atau meledak.

**Selalu menunggu sampai mesin telah datang untuk benar-benar berhenti sebelum menempatkan ke bawah.** Alat kerja bisa tersangkut dan menyebabkan hilangnya kontrol atas alat.

**Hindari menghidupkan tanpa sengaja.** Pastikan pemicu dalam posisi off sebelum memasukkan baterai. Mengangkat perkakas listrik dengan jari anda di pelatuk, atau memasukkan baterai ke dalam alat listrik yang nyala dapat menimbulkan kecelakaan.

**Peringatan keamanan untuk pengisian baterai**



**Hanya untuk pemakaian dalam ruangan**

**Jauhkan pengisi daya baterai jauh dari hujan atau kelembaban.** Penetrasi air di pengisi daya baterai meningkatkan risiko sengatan listrik.

**Jangan mengisi baterai lainnya.** Pengisi daya baterai hanya cocok untuk pengisian baterai yang disertakan dengan alat listrik Anda. Jika tidak akan ada bahaya kebakaran dan ledakan.

**Jaga bersih pengisi daya baterai.** Kontaminasi dapat menyebabkan bahaya sengatan listrik.

**Sebelum setiap kali digunakan, periksa pengisi baterai, kabel dan steker.** Jika kerusakan terdeteksi, jangan menggunakan pengisi baterai. Jangan pernah membuka pengisi daya baterai sendiri. Perbaikan dilakukan hanya oleh teknisi ahli. Pengisi baterai rusak, kabel dan steker meningkatkan risiko sengatan listrik.

**Jangan mengoperasikan pengisi baterai pada permukaan mudah terbakar (misalnya, kertas, tekstil, dll) atau sekitarnya.** Pemanasan dari pengisi daya baterai selama proses pengisian dapat menimbulkan bahaya kebakaran.

**Anak-anak harus diawasi agar mereka tidak bermain dengan pengisi daya baterai.**



## INFORMASI GETARAN DAN KEBISINGAN

### Tingkat getaran dan kebisingan

Tingkat getaran dan kebisingan yang disebutkan dalam manual petunjuk ini telah diukur sesuai dengan uji standar di EN 62841. Ini dapat digunakan untuk membandingkan satu alat dengan yang lain dan sebagai penilaian awal paparan getaran dan kebisingan ketika menggunakan alat untuk penggunaan yang dinyatakan dalam manual ini. Namun, penggunaan alat ini untuk tujuan berbeda, atau dengan aksesoris berbeda atau kurang terawat, dapat secara signifikan menambah tingkat paparan.

Estimasi tingkat paparan getaran dan kebisingan juga harus mempertimbangkan waktu ketika alat dimatikan atau ketika sedang bekerja tetapi tidak digunakan, karena ini dapat secara signifikan mengurangi tingkat paparan selama total periode kerja. Lindungi diri Anda dari efek getaran dan kebisingan dengan menjaga alat ini dan aksesorisnya, serta menjaga tangan Anda tetap hangat dan mengatur pekerjaan Anda.

### Risiko lainnya

**Meskipun alat listrik ini digunakan sesuai peruntukannya, semua faktor risiko lainnya tidak mungkin dapat dihilangkan. Bahaya berikut ini mungkin ditimbulkan oleh konstruksi dan desain alat listrik:**



Kerusakan paru-paru jika tidak mengenakan masker debu yang baik.



Gangguan pendengaran jika tidak mengenakan pelindung pendengaran yang baik.



Gangguan kesehatan akibat getaran jika alat listrik digunakan dalam jangka waktu yang lebih lama atau tidak ditangani dan dirawat dengan baik.



**PERINGATAN!** Alat listrik ini menghasilkan medan elektromagnetik selama beroperasi. Dalam beberapa keadaan, medan ini dapat mengganggu implan medis aktif atau pasif. Untuk mengurangi risiko cedera serius atau fatal, kami menyarankan kepada mereka yang menggunakan implan medis untuk terlebih dahulu berkonsultasi dengan dokter mereka dan pihak produsen implan medis sebelum mengoperasikan mesin ini.

### PEMASANGAN

Sebelum bekerja pada mesin (misalnya pemeliharaan, alat perubahan, dll.) serta selama transportasi dan penyimpanan, atur saklar arah rotasi ke posisi tengah. Aktuasi pemicu yang tidak disengaja dapat menyebabkan cedera.

**Pertama-tama baca petunjuk keselamatan, kemudian ikuti petunjuk pengisian daya.**

Hubungkan ujung kabel USB-C ke port USB-C (Gbr. 2) (A) pada obeng. Kemudian sambungkan ujung lain kabel USB ke pengisi daya USB atau ke stopkontak USB yang dapat menyediakan daya yang cukup untuk mengisi daya obeng. Pastikan tidak ada simpul atau lekukan tajam pada kabel.

Ketika obeng dihubungkan ke sumber listrik dengan kabel USB-C, tiga dioda pada obeng (Gbr. 2) (B) akan menyala untuk menunjukkan status pengisian daya:

- Lampu berkedip - pengisian sedang berlangsung
- Lampu menyala - pengisian selesai

Setelah baterai obeng terisi penuh dan obeng tetap terhubung ke sumber daya, diode akan tetap menyala. Dalam kondisi penggunaan normal, obeng dapat diisi ulang beberapa ratus kali.

**Catatan:** Baterai yang disertakan dengan obeng/bor telah terisi untuk keperluan pengujian dan harus diisi penuh sebelum digunakan untuk pertama kali.

Obeng/bor TRIXIG dan unit baterai TRIXIG telah dirancang untuk digunakan bersama.

**JANGAN PERNAH** menggunakan unit baterai ini untuk menyalakan peralatan nirkabel dari produsen lain.

Baterai lithium-ion terlindungi dari pelepasan "Electronic Cell Protection (ECP)" yang mendalam. Jika baterai kosong, mesin dipadamkan oleh sirkuit pelindung: Alat yang dimasukkan tidak lagi berputar.



**PERINGATAN** Jangan terus tekan tombol On/Off setelah mesin telah otomatis dimatikan. Baterai dapat rusak.



**PERINGATAN!** Isi ulang baterai pada permukaan yang tidak mudah terbakar. Jangan mengisi ulang baterai selama lebih dari delapan jam.

**ARAHAN PENGGUNAAN****Pengoperasian**

Obeng listrik sederhana tanpa kabel ini akan menerima berbagai jenis mata obeng dan panjang dengan batang heksagonal 6.35mm (1/4") memanjang.

**Memasukkan mata obeng (Gbr. 3)**

Pilih mata obeng yang sesuai untuk sekrup yang akan digunakan. Masukkan mata obeng ke dalam badan pemutar, pastikan ia terdorong benar ke dalam rumahnya.

**Catatan:** Disarankan untuk selalu mengebor lubang pengujian ketika memutar sekrup dengan produk ini.

**MENGHIDUPKAN dan MEMATIKAN**

Untuk obeng, tekan sakelar ON/OFF (3). Melepaskan tekanan pada sakelar ON/OFF akan menghentikan obeng. Untuk melepas sekrup dan mengubah arah putaran, tekan sakelar arah putaran (7).

### Spindel kunci sendiri

Spindel obeng pemutar ini akan terkunci secara otomatis ketika obeng pemutar dimatikan. Hal ini memungkinkan untuk menggunakan obeng secara manual.

### Tempat mata bor bermagnet

Anda dapat meletakkan mata bor yang sedang digunakan pada tempat mata bor bermagnet (5) di atas obeng agar tetap dekat saat Anda bekerja.

### Lampu kerja LED

Obeng memiliki lampu kerja LED bawaan untuk menerangi area kerja. Lampu kerja LED menyala setiap kali sakelar pemacu ditekan dan kemudian mati saat sakelar pemacu dilepaskan.

### Pemeliharaan dan pembersihan

Simpan obeng dalam keadaan bersih dan kering sepanjang waktu untuk memastikan penggunaan yang tepat dan aman. Seka puing-puing dengan menggunakan kain lembut yang dibasahi dengan air. Jangan menggunakan bahan pembersih atau pelarut.

Agar dapat berfungsi dengan aman dan benar, selalu jaga kebersihan mesin dan slot ventilasi.

Produk ini ditujukan untuk penggunaan rumah tangga, bukan untuk komersial atau pengukuran memenuhi syarat yang dilakukan oleh para profesional.

**Simpan manual ini untuk digunakan di masa mendatang.**

**Produsen: IKEA of Sweden AB**

**Alamat: Box 702, SE-343 81 Älmhult, SWEDIA**



Baterai dan baterai isi ulang bukanlah limbah rumah tangga! Sebagai konsumen, hukum mewajibkan Anda untuk membuang baterai dan baterai isi ulang, apakah baterai tersebut mengandung zat berbahaya\* atau pun tidak, di lokasi penampungannya di kota/lingkungan Anda atau melalui lembaga komersial yang menawarkan pembuangan baterai sehingga dapat dibuang dengan cara yang ramah lingkungan.

\* ditandai dengan: Cd = kadmium, Hg = merkuri, Pb = timbal



Simbol roda bin bertanda silang menunjukkan bahwa item tersebut harus dibuang secara terpisah dari limbah rumah tangga. Item ini harus diserahkan untuk daur ulang sesuai dengan peraturan lingkungan setempat untuk pembuangan limbah. Dengan memisahkan item yang ditandai dari limbah rumah tangga, anda akan membantu mengurangi volume sampah yang dikirim ke insinerator atau isi tanah dan meminimalkan potensi dampak negatif terhadap kesehatan manusia dan lingkungan. Untuk informasi lebih lanjut, silahkan hubungi toko IKEA.

# Bahasa Malaysia

## Pemutar skru tanpa wayar TRIXIG 3.6V

### SPESIFIKASI TEKNIKAL

Bahasa Malaysia

Model: TRIXIG

Jenis: P2201

Voltan: 3.6 Vdc.

Jenis bateri: 1.5 Ah / 5.4Wh Litium-Ion

Masa pengecasan: <300 Min

Tork tangan maks. lebih kurang 5 Nm

Jumlah kelajuan bebanan maks.: 200/min

Pemegang bit: 6.35 mm (1/4")

**Getaran (mengikut EN 62841-1, EN 62841-2-2):**

Pemutaran skru tanpa impak:  $a_h = 0.34 \text{ m/s}^2$ ,  $K = 1.5 \text{ m/s}^2$

**Hingar (mengikut EN 62841-1):**

Aras tekanan hingar  $L_{pA} = 59 \text{ dB (A)}$ ,  $K_{pA} = 3 \text{ dB (A)}$

Aras kuasa hingar  $L_{wA} = 70 \text{ dB (A)}$ ,  $K_{wA} = 3 \text{ dB (A)}$

**Untuk kegunaan dalam bangunan sahaja.**

**Kadar pengecasan yang disyorkan:**

5.0 V d.c. /1.0-3.0 A (jenis C), suhu pengecasan 0-50°C

### Ciri-ciri produk

Penomboran ciri produk yang ditunjukkan merujuk kepada ilustrasi no. 1 pada halaman grafik.

1. Badan utama pemutar skru
2. Pemegang mata gerudi pemutar skru
3. Suis HIDUP/MATI
4. Soket pengecasan USB-C
5. Pemegang mata gerudi magnetik
6. Lampu kerja LED
7. Suis arah putaran
8. Penunjuk status kuasa LED

### AMBIL PERHATIAN!

Kabel USB-C dan pengecas USB tidak disertakan.

### PENGGUNAAN

Pemutar skru elektrik adalah sesuai untuk memasukkan dan menanggalkan skru.

Alat ini hanya boleh digunakan bagi tujuan yang ditetapkan. Sebarang penggunaan lain dianggap sebagai kes penyalahgunaan.

## ARAHAN KESELAMATAN AM

### Arahan keselamatan am



**AMARAN! Baca semua amaran keselamatan, arahan, ilustrasi dan spesifikasi yang disediakan dengan alat kuasa ini.** Kegagalan mematuhi semua arahan yang disenaraikan di bawah boleh mengakibatkan renjatan elektrik, kebakaran dan/atau kecederaan serius. **Simpan semua amaran dan arahan untuk rujukan masa hadapan**

Istilah "alat kuasa" dalam amaran merujuk kepada alat kuasa (berwayar) kendalian kuasa utama anda atau alat kuasa kendalian bateri (tanpa wayar).

### Keselamatan ruang kerja

- Pastikan ruang kerja bersih dan terang.** Ruang yang bersepeh dan gelap akan mengundang kemalangan.
- Jangan menggunakan alat di kawasan yang cenderung kepada letupan, contohnya berdekatan dengan cecair, gas dan habuk yang mudah terbakar.** Alat ini menghasilkan percikan api yang boleh menyebabkan kebakaran.
- Jauhkan daripada kanak-kanak dan orang ramai ketika menggunakan alat.** Kelalaian boleh menyebabkan anda hilang kawalan.

### Keselamatan elektrik

- Plak 'power tool' mestilah bersesuaian dengan soket.** Jangan mengubahsuai plak dengan apa cara sekalipun. Jangan gunakan plak penyesuai yang terbumikan 'power tool' anda. Plak yang tidak diubahsuai akan mengurangkan risiko kejutan elektrik.
- Elakkan bersentuhan dengan permukaan terbumi seperti paip, radiator dan peti sejuk.** Risiko kejutan elektrik meningkat jika tubuh anda terbumi.
- Jangan dedahkan 'power tool' kepada hujan atau keadaan basah.** 'Power tool' yang terkena air akan meningkatkan risiko kejutan elektrik.
- Jangan salah gunakan kord. Jangan sesekali gunakan ia untuk mengangkat, menarik atau mencabut 'power tool' daripada soket.** Jauhkan kord daripada kepanasan, minyak, benda tajam atau bahagian yang bergerak. Kord yang rosak atau terbelit meningkatkan risiko kejutan elektrik.
- Apabila menggunakan 'power tool' di luar bangunan, gunakan kord sambungan yang bersesuaian dengan kegunaan luar.** Menggunakan kord yang bersesuaian mengurangkan risiko kejutan elektrik.
- Jika menggunakan alat ini di lokasi yang lembap tidak dapat dielakkan,** gunakan bekalan alat arus sisa (RCD) yang dilindungi. Penggunaan RCD mengurangkan risiko kejutan elektrik.

### Keselamatan peribadi

- Sentiasa berjaga-jaga, perhatikan apa yang anda lakukan dan gunakan akal ketika menggunakan alat ini.** Jangan gunakannya ketika anda penat atau di bawah pengaruh dadah, alkohol atau ubat. Kelalaian seketika boleh menyebabkan kecederaan serius tatkala menggunakan alat ini.
- Gunakan pelindung keselamatan. Sentiasa memakai pelindung mata.** Topeng habuk, kasut keselamatan tidak mudah tergelincir, topi keras, atau pelindung pendengaran akan mengurangkan risiko kecederaan serius.

- c. **Elakkan permulaan kemalangan.** Pastikan suis dimatikan ketika memasukkan plak ke dalam punca kuasa. Membawa alat ini dengan jari anda pada suis kuasa boleh mengundang kemalangan.
- d. **Alihkan kunci pelaras atau perengkuh sebelum menghidupkan alat ini.** Apa-apa yang bersambungan dengan bahagian bergerak alat ini boleh mengakibatkan kecederaan.
- e. **Jangan melampaui jangkauan anda.** Pastikan anda sentiasa seimbang setiap masa. Ini boleh membantu anda berada dalam kawalan ketika kejadian tidak diingini berlaku.
- f. **Berpakaian dengan sepatutnya.** Jangan memakai barang kemas atau baju yang besar. Jauhkan rambut, pakaian dan sarung tangan daripada bahagian yang bergerak. Pakaian yang besar, barang kemas atau rambut panjang boleh tersangkut pada bahagian bergerak.
- g. **Jika alat ini disertakan dengan sambungan pengekstrak habuk dan kemudahan pengumpulan,** pastikan alat ini disambungkan dan digunakan dengan betul. Penggunaan alat-alat ini boleh mengurangkan bahaya berkaitan habuk.
- h. **Jangan biarkan kebiasaan yang diperolehi daripada alatan yang acap kali digunakan membuat anda berpuas hati dan tidak memperdulikan prinsip keselamatan.** Tindakan yang cuai boleh menyebabkan kecederaan teruk dalam hanya beberapa saat.

### **Penggunaan dan penjagaan 'power tool'**

- a. **Jangan memaksa penggunaan alat ini.** Gunakan alat yang sepatutnya untuk kegunaan yang betul. Alat yang betul akan membuat kerja dengan baik dan selamat, sesuai dengan kegunaannya.
- b. **Jangan gunakan alat ini jika suis tidak berfungsi.** Alat yang tidak boleh dikawal dengan suisnya adalah berbahaya dan mesti dibaiki.
- c. **Cabut dalam daripada punca kuasa dan/atau pek bateri sebelum melakukan penyenggaraan,** penukaran aksesori, atau penyimpanan alat ini. Langkah keselamatan ini dapat mengurangkan risiko menghidupkan alat ini tanpa sengaja.
- d. **Simpan alat yang tidak digunakan jauh daripada kanak-kanak dan jangan benarkan individu tanpa pengalaman menggunakan alat ini.** Alat ini adalah berbahaya pada pengguna yang tidak terlatih.
- e. **Selenggara alat kuasa. Periksa salah jajaran atau pengikatan bagi bahagian yang bergerak, bahagian yang patah dan sebarang keadaan lain yang mungkin mengesankan pengendalian alat kuasa ini.** Jika rosak, baiki alat kuasa ini sebelum digunakan. Kebanyakan kemalangan adalah disebabkan daripada alat kuasa yang tidak diselenggara dengan baik.
- f. **Pastikan alat pemotong tajam dan bersih.** Alat pemotong yang diselenggara dengan betul dengan mata pemotong yang tajam mengurangkan risiko mengikat dan mudah untuk dikawal.
- g. **Gunakan alat kuasa, aksesori dan alat bit dsb, mengikut arahan ini dan melalui cara yang dikhususkan untuk jenis alat kuasa yang tertentu, mengambil kira keadaan tugas dan tugas yang akan dijalankan.** Penggunaan alat kuasa ini bagi tujuan operasi yang berbeza-beza daripada yang dikhususkan boleh menimbulkan risiko yang berbahaya.
- h. **Pemegang dan permukaan genggam hendaklah kekal kering, bersih dan bebas daripada minyak dan gris.** Pemegang dan permukaan genggam yang licin tidak memberi ruang untuk pengendalian alatan yang selamat dan terkawal dalam keadaan yang tidak diingini.

### **Cara menggunakan dan menjaga alat bateri**

- a. **Caskan bateri hanya dengan pengecas yang ditentukan oleh pengilang.** Pengecas untuk bateri tertentu akan mewujudkan risiko kebakaran apabila digunakan dengan bateri lain yang tidak sesuai.
- b. **Gunakan alat dengan bateri yang dikhususkan secara spesifik.** Penggunaan bateri yang lain mungkin mengakibatkan risiko kecederaan dan kebakaran.

- c. **Apabila bateri tidak digunakan, jauhkannya daripada objek besi seperti klip kertas, syiling, kunci, paku, skru atau lain-lain objek besi kecil yang boleh menyambungkan satu terminal ke terminal yang lain.** Menyambungkan terminal bateri boleh menyebabkan melecun atau kebakaran.
- d. **Penggunaan yang tidak betul mengakibatkan cecair keluar daripada bateri; elakkan sentuhan.** Jika tersentuh, bilas dengan air. Jika terkena mata, dapatkan bantuan perubatan. Cecair daripada bateri boleh menyebabkan kerengsaan atau kecacuhan.
- e. **Jangan gunakan pek bateri atau alat yang rosak atau diubah suai.** Bateri yang rosak atau diubah suai mungkin menunjukkan ragam yang tidak dapat diramalkan, mengakibatkan kebakaran, letupan atau risiko kecederaan.
- f. **Jangan dedahkan pek bateri atau alat kepada api atau suhu yang berlebihan.** Pendedahan kepada api atau suhu melebihi 130 °C boleh menyebabkan letupan.
- g. **Ikuti semua arahan pengecasan dan jangan cas pek bateri atau alat di luar julat suhu yang ditentukan dalam arahan.** Pengecasan yang tidak betul atau pada suhu di luar julat yang ditentukan boleh merosakkan bateri dan meningkatkan risiko kebakaran.

#### Servis

- a. **Pastikan alat anda dibaiki oleh pakar yang diiktiraf yang menggunakan hanya alat ganti yang sama.**  
Ini akan mengekalkan keselamatan alat ini.
- b. **Jangan sesekali servis pek bateri yang rosak.** Servis pek bateri hanya boleh dilakukan oleh pengilang atau penyedia perkhidmatan yang dibenarkan.

#### ARAHAN KESELAMATAN SPESIFIK MESIN

##### Amaran keselamatan untuk gerudi dan pemutar skru

**Pegang alat kuasa pada permukaan cengkam berpengebat apabila melakukan operasi yang pengikat boleh tersentuh pendawaian tersembunyi.** Pengikat yang bersentuhan dengan wayar "hidup" boleh membuatkan bahagian logam yang terdedah pada alat kuasa menjadi konduktif dan boleh menyebabkan pengendali terkena renjatan elektrik

**Guna pengesan yang sesuai untuk menentukan jika saluran utiliti tersembunyi dalam kawasan kerja atau hubungi syarikat utiliti tempatan anda untuk bantuan.** Tersentuh saluran elektrik boleh menyebabkan kebakaran dan kejutan elektrik. Menembusi saluran air menyebabkan kerosakan harta benda atau boleh menyebabkan kejutan elektrik.

**Matikan alat kuasa serta-merta apabila alat tersekat atau tersangkut.** Bersedia untuk tork tindak balas yang tinggi yang boleh menyebabkan anjalan. Alat menjadi tersekat apabila:

- alat kuasa tertakluk pada beban lampau
- atau alat tersepit dalam bahan kerja.

**Pegang mesin ini dengan genggam yang kuat.** Tork bertindak balas tinggi boleh berlaku ketika mengetatkan atau melonggarkan skru.

**Kemaskan bahan kerja.** Bahan kerja yang diapit dengan alat pengapit atau ragum adalah lebih kemas berbanding yang dipegang dengan tangan.

**Pastikan tempat kerja anda bersih.** Campuran bahan adalah merbahaya. Habuk daripada aloi ringan boleh terbakar atau meletup.

**Sentiasa tunggu sehingga alat benar-benar berhenti sebelum meletakkannya.** Sisipan alat boleh tersekat dan menyebabkan alat ini hilang kawalan.

**Elakkan menghidupkan suis tanpa sebab.** Pastikan picu dalam posisi padam ketika memasukkan pek bateri. Membawa alatan ini dengan jari anda pada picu atau memasukkan pek bateri ketika suis hidup meningkatkan risiko kemalangan.

### **Amaran Keselamatan pengecas bateri**



**Untuk kegunaan dalam bangunan sahaja.**

**Jauhkan pengecas bateri daripada hujan atau kelembapan.** Risiko kejutan elektrik meningkat apabila air masuk ke pengecas bateri.

**Jangan mengecas bateri jenis yang lain.** Pengecas bateri hanya sesuai untuk mengecas bateri yang disertakan bersama peralatan anda. Jika sebaliknya berlaku, terdapat risiko kebakaran dan letupan.

**Pastikan pengecas bateri sentiasa bersih.** Pengecas yang tercemar boleh mengakibatkan kejutan elektrik.

**Sebelum setiap penggunaan, periksa pengecas bateri, kabel dan palam.** Jika terdapat kerosakan, jangan gunakan pengecas bateri itu. Jangan membuka pengecas bateri sendiri. Pastikan ia dibaiki oleh juruteknik yang berkelayakan. Pengecas bateri, kabel dan palam yang rosak meningkatkan risiko kejutan elektrik.

**Jangan gunakan pengecas bateri pada permukaan atau persekitaran yang mudah terbakar (seperti kertas, tekstil, dsb).** Haba pengecas bateri ketika proses mengecas boleh mendedahkan kepada bahaya terbakar.

**Awasi kanak-kanak agar mereka tidak bermain dengan pengecas bateri ini.**

### **MAKLUMAT GETARAN DAN HINGAR**

#### **Tahap getaran dan hingar**

Tahap getaran dan pelepasan hingar yang dinyatakan dalam manual arahan ini telah diukur mengikut ujian standard dalam EN 62841. Maklumat ini boleh digunakan untuk membandingkan satu alat dengan alat yang lain dan sebagai penilaian awal pendedahan kepada getaran dan hingar apabila menggunakan alat bagi aplikasi yang dinyatakan dalam manual ini. Walau bagaimanapun, menggunakan alat untuk aplikasi yang berbeza, atau dengan aksesori yang berbeza atau tidak diselenggara dengan baik, boleh meningkatkan tahap pendedahan dengan ketara.

Anggaran tahap pendedahan kepada getaran dan hingar juga harus mengambil kira masa alat dimatikan atau semasa alat dihidupkan tetapi tidak digunakan, kerana ini boleh mengurangkan tahap pendedahan sepanjang tempoh kerja dengan ketara. Lindungi diri anda daripada kesan getaran dan hingar dengan mengekalkan alat dan aksesori alat, memastikan tangan anda hangat dan mengatur kerja anda.



## Risiko lain

Walaupun alat kuasa digunakan seperti yang ditetapkan, tidak mungkin semua faktor risiko lain dapat dihapuskan. Bahaya berikut mungkin timbul berkaitan dengan pembinaan dan reka bentuk alat kuasa:



Kerosakan kepada paru-paru jika topeng habuk yang berkesan tidak dipakai.



Kerosakan kepada pendengaran jika perlindungan pendengaran yang berkesan tidak dipakai.



Kerosakan kepada kesihatan akibat getaran jika alat kuasa digunakan dalam tempoh yang lebih lama atau tidak dikendalikan dan diselenggara dengan betul.



**AMARAN!** Alat kuasa ini menghasilkan medan elektromagnet semasa operasi. Dalam keadaan tertentu, medan ini mungkin mengganggu implan perubatan aktif atau pasif. Untuk mengurangkan risiko kecederaan serius atau maut, kami mengesyorkan individu yang mempunyai implan perubatan untuk berunding dengan doktor mereka dan pengeluar implan perubatan sebelum mengendalikan mesin ini.

## PEMASANGAN

Sebelum sebarang tugas dijalankan pada mesin (seperti penyelenggaraan, menukar peralatan, dsb) dan juga semasa mengangkat dan storan, tetapkan suis arah putaran kepada posisi tengah. Gerakan picu tanpa sengaja boleh mengakibatkan kecederaan.

### Mula-mula baca arahan keselamatan dan kemudian ikuti arahan pengecasan.

Sambungkan hujung kabel USB-C ke port USB-C (Gambar. 2) (A) dalam pemutar skru. Kemudian sambungkan hujung kabel USB yang lagi satu ke pengecas USB atau salur keluar USB yang boleh memberikan kuasa yang mencukupi untuk mengecas pemutar skru. Pastikan tiada simpulan atau bengkokan tajam dalam kabel.

Apabila pemutar skru disambungkan ke bekalan elektrik dengan kabel USB-C, tiga diod pada pemutar skru (Gambar. 2) (B) menyala untuk menunjukkan status pengecasan:

- Lampu berdenyut - pengecasan sedang berjalan
- Cahaya mantap - pengecasan selesai

Selepas bateri pemutar skru dicas sepenuhnya dan pemutar skru kekal bersambung ke bekalan kuasa, diod akan kekal menyala. Di bawah keadaan penggunaan biasa pemutar skru boleh dicas semula beberapa ratus kali.

**Catatan:** Bateri yang dibekalkan dengan pemutar skru/gerudi telah dicas untuk tujuan ujian sahaja dan mesti dicas sepenuhnya sebelum digunakan buat pertama kali.

Pemutar skru/gerudi TRIXIG dan pek bateri TRIXIG telah direka bentuk untuk digunakan bersama-sama.

JANGAN SEKALI-KALI menggunakan pek bateri untuk membekalkan kuasa pada peralatan tanpa wayar daripada pengilang lain.

Bateri litium-ion dilindungi daripada cas yang melampau oleh "Electronic Cell Protection (ECP)". Apabila bateri kosong, mesin akan terpadam melalui litar pelindung: Peralatan yang disisipkan tidak lagi berputar.



**AMARAN** Jangan terus menekan suis On/Off selepas mesin ini terpadam secara automatik. Bateri boleh rosak.



**AMARAN:** Cas semula bateri di atas permukaan tidak mudah terbakar. Jangan cas bateri selama lebih daripada 8 jam.

## **ARAHAN PENGGUNAAN**

### **Pengendalian**

Pemutar skru asas tanpa kord boleh menerima pelbagai jenis dan panjang bit pemutar skru yang mempunyai batang berbentuk heksagon berukuran 6.35mm (1/4") memanjang.

### **Memasukkan bit pemutar skru (Gbr.3)**

Pilih bit pemutar skru yang betul untuk skru yang akan digunakan. Masukkan bit pemutar skru ke dalam lubang pemutar skru untuk memastikan ia masuk dengan betul.

**Nota:** Adalah dinasihatkan supaya sentiasa membuat lubang ujian apabila memasukkan skru menggunakan produk ini.

### **MENGHIDUPKAN dan MEMATIKAN**

Untuk memutar skru, picit suis HIDUP/MATI (3). Melepaskan suis HIDUP/MATI akan menghentikan pemutar skru. Untuk mengeluarkan skru dan menukar arah putaran, tolak suis arah putaran (7).

### **Kunci Auto Spindel**

Peralatan spindel dikunci secara automatik apabila peralatan dipadamkan. Ini membolehkan pemutar skru digunakan sebagai peralatan manual.

### **Pemegang bit magnetik**

Anda boleh letakkan bit yang sedang digunakan di atas pemegang bit magnetik (5) di atas pemutar skru bagi memastikan ia sentiasa berhampiran semasa anda bekerja.

### **Lampu kerja LED**

Pemutar skru ada lampu kerja terbina dalam untuk menerangi kawasan kerja. Lampu kerja menyala setiap kali suis pencetus dipicit dan kemudian terpadam apabila suis pencetus dilepaskan.

## Penyelenggaraan dan pembersihan

Pastikan pemutar skru sentiasa dalam keadaan bersih dan kering sepanjang masa bagi memastikan pengendalian yang betul dan selamat. Lap sebarang kekotoran menggunakan kain lembut yang dilembapkan dengan air. Jangan gunakan sebarang agen pembersih atau pelarut.

Sentiasa pastikan mesin dan slot pengudaraan dalam keadaan bersih agar berfungsi dengan selamat dan betul.

Bahasa MalaysiaProduk ini khusus untuk penggunaan domestik di rumah, bukan untuk komersial atau ukuran layak yang dilakukan oleh profesional.

**Simpan manual ini bagi kegunaan masa hadapan.**

**Pengeluar: IKEA Sweden AB**

**Alamat: Box 702, SE-343 81 Älmhult, SWEDEN**



Bateri dan bateri boleh dicas semula bukan sisa isi rumah! Sebagai pengguna, anda dikehendaki oleh undang-undang untuk melupuskan semua bateri dan akumulator, sama ada bateri dan akumulator tersebut mengandungi bahan berbahaya\* atau tidak, di tempat pengumpulan dalam kawasan perbandaran/kejiranan anda atau melalui entiti komersial yang menawarkan pelupusan bateri supaya barang-barang ini boleh dilupuskan dengan cara yang mesra alam.

\*ditandakan dengan: Cd = kadmium, Hg = merkuri, Pb = plumbum



Simbol roda berpangkah menunjukkan item ini harus dilupuskan berasingan daripada bahan buangan isi rumah. Item ini sepatutnya diserahkan untuk dikitar semula selaras dengan peraturan alam sekitar tempatan untuk pelupusan sampah. Dengan mengasingkan item bertanda daripada bahan buangan isi rumah, anda akan membantu mengurangkan jumlah bunagan yang dihantar ke tapak pelupusan dan meminimumkan kesan negatif yang berpotensi ke atas kesihatan manusia serta alam sekitar. Untuk maklumat lanjut, hubungi gedung IKEA anda.

## احفظ جميع التحذيرات والتعليمات للرجوع إليها مستقبلاً

يشير مصطلح "الأداة الكهربائية" في التحذيرات إلى الأداة الكهربائية (السلكية) التي يتم تشغيلها بواسطة التيار الكهربائي أو الأداة الكهربائية (اللاسلكية) التي يتم تشغيلها بالبطاريات.

### منطقة العمل

- اجعل منطقة العمل نظيفة ومضاءة جيداً. الأماكن المظلمة والتي بها فوضى مسببة للحوادث.
- لا تشغل الأداة في أجواء قابلة للإنفجار، مثلاً في وجود سوائل، غازات أو أتربة قابلة للاشتعال. الأداة تحدث شرارة قد تشعل غبار الأبخرة.
- ابقى الأطفال والحاضرين بعيداً أثناء تشغيل الأداة. عدم التركيز قد يؤدي إلى فقدان السيطرة.

### السلامة في الكهرباء

- يجب علي مقابيس الأداة أن تتوافق مع مأخذ الكهرباء. لا تقم أبداً بتعديل المقبس بأي شكل من الأشكال. لا تستخدم أي مقابيس تحويل ذات خط أرضي مع الأداة. المقابيس الغير معدلة والمأخذ المتوافقة سوف تقلل من مخاطر حدوث صدمة كهربائية.
- تجنب ملامسة الأسطح ذات خط أرضي مثل الأنابيب، المشعاع، الأفران والثلاجات. هناك خطر متزايد لحدوث صدمة كهربائية إذا حدث توصيل أرضي لجسمك.
- لا تعرض الأداة للمطر أو لأجواء رطبة. دخول المياه للأداة سوف يزيد من خطر حدوث صدمة كهربائية.
- لا تسبب استخدام السلك. لا تستخدم السلك أبداً لحمل، وسحب أو لنزع الأداة من المأخذ. احفظ السلك بعيداً عن الحرارة، الزيت، الحواف الحادة أو الأشياء المتحركة. الأسلاك التالفة أو المتشابكة تزيد من خطر حدوث صدمة كهربائية.
- عند تشغيل الأداة في أماكن خارجية، استخدم سلك تمديد مناسب للاستخدام الخارجي. استخدام سلك مناسب للاستخدام الخارجي يقلل من خطر حدوث صدمة كهربائية.
- إذا كان من غير الممكن تجنب تشغيل الأداة في أماكن رطبة، استخدم مصدر طاقة محمي بواسطة جهاز للتيار المتخلف. إن استخدام مثل هذا الجهاز يقلل مخاطر الصدمة الكهربائية.

### السلامة الشخصية

- كن يقظاً، وراقب ما تقوم به واستخدم الحكمة عند تشغيل الأداة. لا تستخدم الأداة عندما تكون متعباً أو واقعاً تحت تأثير الأدوية المنومة. إذا غفلت لحظة أثناء تشغيل الأداة فقد يؤدي ذلك إلى إصابة بدنية بالغة.
- استخدم معدات الحماية الشخصية. ارتدي دائماً واقي العين. معدات الحماية مثل قناع الغبار، أحذية السلامة المانعة للإنزلاق، القلنسوة الصلبة، أو واقي الأذن الذي يستخدم في أحوال ملائمة سوف تقلل من تعرضك للإصابات.
- امنع التشغيل العرضي. تأكد من أن المفتاح في وضعية الإطفاء قبل التوصيل بمصدر الطاقة و/أو عبوة البطارية، لتقاط أو حمل الأداة. إن حمل الأداة بينما يكون إصبعك على المفتاح أو توصيل الأداة بالمأخذ بينما يكون المفتاح في وضعية التشغيل سيؤدي للحوادث.
- قم بإزالة أي مفتاح تعديل أو مفتاح ربط قبل تشغيل الأداة. مفتاح الربط أو التعديل الذي يترك متصلاً بالجزء الدوار من الأداة قد يؤدي إلى الإصابة الشخصية.
- لا تقترب كثيراً، حافظ على وقوفك وتوازنك في جميع الأوقات. وهذا يتيح لك السيطرة بصورة أفضل على الأداة في الحالات الغير متوقعة.
- ارتدي ملابس مناسبة. لا ترتدي ملابس فضفاضة أو سلاسل. حافظ على شعرك وملابسك وقفازانك بعيداً عن الأجزاء المتحركة. الملابس الفضفاضة والسلاسل أو الشعر الطويل قد تحبش في الأجزاء المتحركة.
- إذا تم توفير أجهزة لتوصيل استخراج الغبار ومرافق التجميع، تأكد من أنها متصلة ومستخدمة بشكل صحيح. إن استخدام هذه الأجهزة يمكن أن يقلل من المخاطر المتعلقة بالغبار.
- لا تدع المعرفة المكتسبة من استخدامك المتكرر للأدوات تمنحك الثقة بالنفس وتجعلك تتجاهل مبادئ سلامة الأداة. قد يؤدي الإهمال إلى إصابة خطيرة خلال جزء من الثانية.

### استخدام الأداة والعناية بها

- لا تستخدم القوة مع الأداة. استخدم الأداة الصحيحة في العمل. الأداة الصحيحة سوف تقوم بالمهام على نحو أفضل وأكثر أمناً بالمعدل الذي وضعت من أجله.
- لا تستخدم الأداة إذا لم يقم المفتاح بتشغيلها وإطفائها. أي أداة لا يتم التحكم بها بواسطة مفتاح التشغيل تعتبر خطرة ويجب إصلاحها.
- أفضل السلك عن مصدر الطاقة و/أو عبوة البطارية قبل إجراء أي تعديلات على الأداة أو تغيير ملحقاتها أو تخزينها. هذه التدابير المتخذة للسلامة تقلل من مخاطر تشغيل الأداة عن طريق الخطأ.

## المواصفات الفنية:

الموديل: TRIXIG

النوع: P2201

الفولط: Vdc 3.6

نوعية البطارية: 1.5Ah/ 5.4Wh Lithium-Ion

مدة الشحن: &gt;300 دقيقة

عزم التدوير الصلب الأقصى: تقريباً 5 نانومتر

أقصى سرعة اللاحمل: min/200

حامل اللقم: 6.35 ملم (1/4 بوصة)

## الإهتزاز (وفقاً للمواصفات EN 62841-1, EN 62841-2-2)

الفك بدون صدمة:  $ah=0.34 \text{ m/s}^2$ ,  $K=1.5 \text{ m/s}^2$ 

## الضوضاء (وفقاً للمواصفات EN 62841-1)

مستوى ضغط الضوضاء  $L_{PA} = 59$  ديسبل (A)، كيلو باسكال = 3 ديسبل (A)مستوى طاقة الضوضاء  $L_{WA} = 70$  ديسبل (A)، كيلو واط = 3 ديسبل (A)

## للاستخدام في أماكن داخلية فقط.

## معدلات الشحن الموصى بها:

5.0 فولت تيار مستمر / 1.0-3.0 أمبير (نوع C)، درجة حرارة الشحن 0-50 درجة مئوية

## خصائص المنتج

يشير ترقيم مزايا المنتج المعروضة إلى الرسم التوضيحي رقم 1 على الصفحة المصورة.

1. الجسم الرئيسي مفك البراغي

2. حامل لقمة مفك البراغي

3. مفتاح تشغيل/إيقاف

4. مقبس شحن USB-C

5. حامل لقمة مغناطيسي

6. مصباح عمل «الليد»

7. مفتاح اتجاه الدوران

8. مؤشر LED لعرض حالة الطاقة.

## ملاحظة!

لا يتم تضمين كابل USB-C وشاحن USB.

## أوجه الإستخدام

المفك الكهربائي مناسب لإدخال وإزالة المسامير.

حظر استخدام الأداة إلا لغرضها المنصوص عليه. ويعد أي استخدام آخر حالة سوء استخدام.

## تعليمات عامة للسلامة

## تعليمات عامة للسلامة



**تحذير! اقرأ جميع تحذيرات السلامة والتعليمات والرسوم التوضيحية والمواصفات المرفقة مع الأداة الكهربائية.** قد يؤدي عدم اتباع جميع التعليمات المذكورة أدناه إلى حدوث صدمة كهربائية و/أو نشوب حريق و/أو التعرض لإصابة خطيرة.

- تتعرض الأداة الكهربائية للحمل الزائد
- أو تصبح مثبتة في قطعة العمل.

**أمسك الآلة بقبضة قوية.** يمكن أن تحدث ردة فعل عنيفة في عزم التدوير أثناء ربط وحل المسامير.

**قم بتأمين القطعة المراد نشرها.** الإمساك بالقطعة بواسطة الملزمة سيكون آمناً أكثر من الإمساك بها باليد.

**احفظ مكان العمل نظيفاً.** امتزاج المواد مع بعضها يعتبر خطراً بشكل خاص. البرادة الناتجة عن السبائك الخفيفة يمكن أن تحترق أو تنفج.

**انتظر دائماً حتى تتوقف الآلة تماماً قبل أن تضعها.** يمكن للجزء المدرج من الآلة أن ينحسر ويؤدي إلى فقدان السيطرة على الآلة.

**تجنب التشغيل الغير مقصود.** تأكد من أن مفتاح التحكم مطغماً قبل إدراج عبوة البطارية. إن حمل الأداة بينما تكون أصابعك على مفتاح التحكم أو إدراج عبوة البطارية في الأداة بينما يكون مفتاحها في وضعية التشغيل يؤدي إلى وقوع حوادث.

### تحذيرات السلامة الخاصة بشاحنات البطارية



للإستخدامات الداخلية فقط.

**أبعد شاحن البطارية عن المطر أو الرطوبة.** تغلغل المياه في شاحن البطارية يزيد من خطر حدوث صدمة كهربائية.

**لا تشحن بطاريات أخرى.** شاحن البطارية لا يصلح إلا لشحن البطاريات التي تم توفيرها مع الأداة. وإلا فسيكون هناك خطر الحريق والانفجار.

**حافظ على نظافة شاحن البطارية.** التلوث يمكن أن يؤدي إلى خطر حدوث صدمة كهربائية.

**قبل الاستعمال في كل مرة، افحص شاحن البطارية والسلك والمقبس. إذا تم الكشف عن ضرر، لا تستخدم شاحن البطارية. لا تقم أبداً بفتح شاحن البطارية بنفسك.** دع الإصلاحات ليقوم بها فني مؤهل فقط. شاحنات البطاريات التالفة، والأسلاك والمقابس التالفة تزيد من خطر حدوث صدمة كهربائية.

**لا تشغل شاحن البطارية على أسطح قابلة للإشتعال (على سبيل المثال، ورق، منسوجات، وغيرها) أو توجد في مناطق محيطة بها.** يمكن لحرارة شاحن البطارية أثناء عملية الشحن أن تشكل خطراً بحدوث حريق.

**ينبغي أن يكون الأطفال تحت الملاحظة للتأكد من أنهم لا يلعبون بشاحن البطارية.**

### معلومات عن الاهتزاز والضوضاء

#### مستوى الاهتزاز والضوضاء

تم قياس مستوى إصدار الاهتزاز والضوضاء المنصوص عليه في دليل التعليمات هذا وفقاً للاختبار القياسي لمعيار EN 62841. ويمكن استخدامه لمقارنة أداة بأخرى وبوصفه تقييماً أولياً للتعرض للاهتزاز والضوضاء عند استخدام الأداة في التطبيقات الواردة في هذا الدليل. ومع ذلك، قد يؤدي استخدام الأداة في تطبيقات مختلفة أو مع ملحقات مختلفة أو صيانتها ضعيفة إلى زيادة مستوى التعرض بشكل كبير.

ويجب أن يراعى مستوى التعرض للاهتزاز والضوضاء الأوقات التي يتم فيها إيقاف تشغيل الأداة أو الأوقات التي يتم فيها تشغيلها ولكنها لا تستخدم، إذ قد يتسبب ذلك في تقليل مستوى التعرض بشكل كبير خلال إجمالي فترة العمل. احم نفسك من تأثيرات الاهتزازات والضوضاء من خلال الحفاظ على الأداة وملحقاتها والحفاظ على دفة يدك وتنظيم عملك.

- د. خزن الأداة عند عدم الإستعمال بعيداً عن متناول الأطفال ولا تسمح لأشخاص ليس لديهم معرفة بالأداة أو بهذه التعليمات أن يقوموا بتشغيل الأداة. الأداة تعتبر خطرة عندما تكون في أيدي مستخدمين غير مدربين.
- هـ. حافظ على الأداة. تحقق من عدم وجود اختلال أو تقييد للأجزاء المتحركة، أو كسر في الأجزاء وأي أشياء أخرى يمكن أن تؤثر في تشغيل الأداة. في حالة وجود تلف ما، قم بصيانة الأداة قبل الاستخدام. العديد من الحوادث تحدث نتيجة عدم صيانة الأداة.
- و. حافظ على أدوات القطع حادة ونظيفة. أدوات القطع المحفوظة بشكل سليم مع حواف قطع حادة هي أقل عرضة للتقييد ويسهل السيطرة عليها.
- ز. استخدم الأداة، ملحقاتها، لقم الأداة وغيرها، وفقاً لهذه التعليمات وبالطريقة المخصصة لنوعية الأداة، مع الأخذ في الاعتبار ظروف العمل والعمل الذي يتوجب إنجازه. إن استخدام الأداة في مهام تختلف عن تلك المصممة لأجلها يمكن أن يؤدي إلى أوضاع خطيرة.
- ح. حافظ على الأيدي والأسطح التي تمسك بها الأداة جافة ونظيفة وخالية من الزيوت والشحوم. الأيدي والأسطح الزلقة لا تجعلك تمسك الأداة بإحكام وتتحكم بأمان عليها في المواقف غير المتوقعة.

#### استخدام بطارية الأداة والعناية بها

- أ. استخدم فقط الشاحن المحدد من قبل الشركة المصنعة. إن الشاحن الذي يكون ملائماً لنوع واحد من البطارية قد يؤدي إلى حدوث حريق عندما يستخدم مع بطارية أخرى.
- ب. استخدم الأداة مع عبوة البطارية المحددة له فقط. إن استخدام أي عبوة بطاريات أخرى قد يؤدي إلى خطر الإصابة والحرق.
- ج. عندما لا تكون عبوة البطارية قيد الاستعمال، أبقها بعيداً عن الأجسام المعدنية الأخرى، مثل الدبابيس الورقية والنقود المعدنية والمفاتيح والمسامير والبراغي أو غيرها من الأجسام المعدنية الصغيرة التي يمكنها التوصيل من محطة إلى أخرى. توصيل محطات البطارية معاً قد يعرضك للسع أو يسبب حريق.
- د. في ظل ظروف التشغيل السيئة، قد تخرج سوائل من البطارية؛ تجنب ملامستها. إذا حدث ملامسة بشكل عرضي، أغسل المكان بالماء. إذا لامس السائل العين، بالإضافة إلى غسلها بالماء قم باستشارة الطبيب. السوائل التي تخرج من البطارية قد تسبب تهيجاً أو حرقاً.
- هـ. لا تستخدم حزمة البطاريات أو أداة متضررة أو معدلة. قد تظهر البطاريات المتضررة أو المعدلة سلوكاً غير متوقع، الأمر الذي يؤدي إلى الحريق أو الانفجار أو خطر الإصابة.
- و. لا تعرض حزمة البطارية أو الأداة للحريق أو درجات الحرارة المفرطة. قد يسبب التعرض للحريق أو الحرارة فوق 130 درجة حرارة مئوية انفجاراً.
- ز. اتبع جميع تعليمات الشحن، ولا تشحن حزمة البطارية أو الأداة خارج نطاق درجات الحرارة المحدد في التعليمات. قد يؤدي الشحن بشكل غير صحيح أو عند درجات حرارة خارج النطاق المحدد إلى إتلاف البطارية أو زيادة خطر نشوب حريق.

#### الخدمة

- أ. إصلاح الأداة لا يتم إلا بواسطة فني متخصص باستخدام قطع الغيار المطابقة فقط. وهذا يضمن الحفاظ على سلامة الأداة.
- ب. لا تقم بصيانة حزم البطاريات التالفة مطلقاً. لا يجب صيانة حزم البطارية إلا بمعرفة الشركة المصنعة أو مقدمي الخدمة المعتمدين.

#### تعليمات السلامة الخاصة بالآلة

#### تحذيرات السلامة الخاصة بالدريلات والمفكات

أمسك الأداة الكهربائية باستخدام أسطح الإمساك العازلة، إذ قد يحدث تلامس بين المثبت والأسلاك المخفية عند تنفيذ عملية ما. فقد يؤدي التلامس بين المثبتات والسلك "المكهرب" إلى جعل الأجزاء المعدنية المكشوفة في الأداة الكهربائية "موصلة للكهرباء"، وقد يتسبب في إصابة المشغل بصدمة كهربائية

استخدم أدوات كشف مناسبة لتحديد ما إذا كانت خطوط المنافع مخفية في منطقة العمل أو اتصل بالشركة التي قامت بتوصيل المنافع للحصول على المساعدة. ملامسة خطوط الكهرباء قد يؤدي إلى حريق وصدمة كهربائية. الإضرار بخط الغاز يمكن أن يؤدي إلى انفجار. ثقب مواسير الماء قد يتسبب في أضرار بالممتلكات أو قد يؤدي إلى صدمة كهربائية.

قم بإيقاف تشغيل الأداة الكهربائية فوراً عندما تصبح الأداة مسدودة أو محشورة. كن مستعداً لعزم الدوران العالي الذي قد يسبب الارتداد. تصبح الأداة مسدودة عندما:



تحذير! لا تستمر في الضغط على مفتاح تشغيل / إطفاء بعد أن تتوقف الآلة تلقائياً. يمكن البطارية قد تتلف.



تحذير! أعد شحن البطارية على سطح غير قابلة للاشتعال. لا تقم بإعادة شحن البطارية لأكثر من ثماني ساعات.

## تعليمات الاستخدام

### التشغيل

سيقبل هذا المفك الكهربائي الأساسي أنواعاً ومقاسات متعددة في طول اللقمة ذات الأضلاع السداسية 6,35 ملم (4/1 بوصة) عبر السطح.

### إدخال لقم المفك

اختر اللقمة المناسبة للمسامير المستخدمة. أدخل اللقمة في المفك، وتأكد من أنها مثبتة في مكانها بإحكام.

**ملاحظة:** ينصح دائماً بعمل ثقب دليلي عند تثبيت البراغي بواسطة هذا المنتج.

### تشغيل وإيقاف

لفك البراغي، اضغط على مفتاح التشغيل/الإيقاف (3). سيؤدي تحرير مفتاح التشغيل/الإيقاف إلى إيقاف مفك البراغي. لإزالة المسمار وتغيير اتجاه الدوران، ادفع مفتاح اتجاه الدوران (7).

### غلق تلقائي لعمود الدوران

عند إطفاء الجهاز يغلِق عمود الدوران تلقائياً ويتوقف عن الحركة. وهذا يتيح لك استخدام المفك يدوياً.

### حامل اللقم المغناطيسي

يمكنك وضع اللقم التي تستخدمها حالياً على حامل اللقم المغناطيسي (5) أعلى المفك لإبقائها في متناول اليد أثناء عملك.

### إضاءة عمل LED

يحتوي المفك على إضاءة عمل LED مدمجة لإضاءة منطقة العمل. تضيء لمبة LED في كل مرة يتم فيها الضغط على مفتاح الزناد ثم تنطفئ عند تحرير مفتاح الزناد.

### الصيانة والنظافة

حافظ على المفك نظيفاً وجافاً في جميع الأوقات لضمان التشغيل السليم والامن. امسح أي مخلفات باستخدام قطعة قماش ناعمة مبللة بالماء. لا تستخدم أي مواد تنظيف أو مذيبات.

للعمل بشكل آمن وسليم، حافظ دائماً على نظافة الجهاز وفتحات التهوية.

هذا المنتج مخصص للاستخدام المنزلي فقط، وليس للقياسات التجارية أو الدقيقة التي يقوم بها المتخصصون.

احتفظ بهذا الدليل لاستخدامه مستقبلاً.

الشركة المصنعة: شركة IKEA السويدية المحدودة

العنوان: Box 702, SE-343 81 Älmhult, SWEDEN



حتى عند استخدام الأداة الكهربائية على النحو المنصوص عليه، لا يمكن التخلص من جميع عوامل الخطر الأخرى. قد تنشأ المخاطر التالية نتيجة أمور تتعلق بصنع أداة الطاقة وتصميمها:



تلف الرئتين في حالة عدم ارتداء قناع الغبار الفعال.



تلف السمع في حالة عدم ارتداء واقيات السمع الفعالة.

الأضرار التي تلحق بالصحة الناتجة عن الاهتزازات في حالة استخدام أداة الطاقة لفترة زمنية أطول أو عدم التعامل معها وصيانتها بشكل صحيح.



**تحذير!** تنتج أداة الطاقة هذه مجالاً كهرومغناطيسياً في أثناء التشغيل. وفي بعض الظروف، قد يتداخل هذا المجال مع الغرسات الطبية النشطة أو السلبية. لتقليل مخاطر الإصابة الخطيرة أو المميتة، نوصي الأشخاص الذين لديهم غرسات طبية باستشارة طبيبهم والشركة المُصنِّعة للغرسات الطبية قبل تشغيل هذا الجهاز.

### التجميع

قبل البدء في أي عمل على الآلة (مثل الصيانة، تغيير الأداة وغيرها) ولا سيّما أثناء النقل والتخزين، اجعل وضعية مفتاح اتجاه الدوران في المنتصف. التشغيل الغير مقصود لمفتاح التحكم يؤدي إلى وقوع اصابات.

### شحن المفك

اقرأ أولاً تعليمات السلامة ثم اتبع تعليمات الشحن. قم بتوصيل طرف كابل USB-C بمنفذ USB-C (صورة 2) (A) في مفك البراغي. ثم وُصِّل طرف كابل USB الآخر بشاحن USB أو منفذ USB بحيث يمكنه توفير طاقة كافية لشحن مفك البراغي. تأكد من عدم وجود عقدة أو انحناءات حادة في الكابل.

عند توصيل مفك البراغي بمصدر الكهرباء باستخدام كابل USB-C، فهناك ثلاثة صمامات ثنائية على مفك البراغي (صورة 2) (B) تضيء للإشارة إلى حالة الشحن:

- ضوء نابض - جارٍ الشحن

- ضوء ثابت - اكتمل الشحن

بعد شحن بطارية مفك البراغي بالكامل وبقاء مفك البراغي

متصلاً بمصدر الطاقة، ستبقى الصمامات الثنائية مُضاءة. في ظل ظروف الاستخدام العادية، يمكن إعادة شحن مفك البراغي ما يفوق مئات المرات.

**انتبه!** عملية الشحن تولد حرارة في البطارية. من غير المستحسن إعادة شحن البطارية في درجات حرارة دون الصفر. سوف تفقد البطارية شحنها تدريجياً بعد فترة من الوقت، حتى إذا لم تستخدم الجهاز.

**ملحوظة!** البطارية المرفقة مع المفك قد تم شحنها بهدف اختبارها فقط ويجب شحنها بالكامل قبل الاستعمال في أول مرة.

بطارية الليثيوم أيون محمية ضد التفريغ العميق بتقنية "حماية الخلية الإلكترونية (ECP)". عندما تكون البطارية فارغة، يتم إطفاء الآلة بواسطة الدائرة الواقية: الأداة المدرجة لن تعد تدور.



لا تعد البطاريات والبطاريات القابلة لإعادة الشحن نفايات منزلية! بصفتك مستهلكًا، يتعين عليك بموجب القانون التخلص من جميع البطاريات والمراكم، سواء كانت تحتوي على مواد ضارة \* أم لا، في نقطة تجميع في بلدتك/ منطقتك أو عبر كيان تجاري يقدم التخلص من البطاريات بحيث يمكن التخلص منها بطريقة سليمة بيئيًا.  
\* مميزة بـ: Cd = الكادميوم، Hg = الزئبق، Pb = الرصاص



الرمز الذي يُظهر حاوية نفايات مشطوبة يشير إلى أنه يجب التخلص من المنتج بشكل منفصل عن النفايات المنزلية. ينبغي تسليم هذا المنتج لإعادة تدويره وفقًا للأنظمة البيئية المحلية للتخلص من النفايات. من خلال قيامك بفصل منتج يحمل هذه العلامة من النفايات المنزلية، فسوف تساعد على تقليل حجم النفايات التي ترسل إلى المحارق أو تدفن في الأرض وبالتالي تقللي من أي تأثير سلبي محتمل على صحة الإنسان والبيئة. لمزيد من المعلومات، يرجى الاتصال على معرض ايكيا.

# ไทย

## ไขควงไร้สาย TRIXIG/ทริกซิก 3.6 โวลต์

### รายละเอียดทางเทคนิค

รุ่น: TRIXIG/ทริกซิก

ประเภท: P2201

แรงดันไฟฟ้า: 3.6 Vdc.

ประเภทแบตเตอรี่: 1.5 / 5.4Wh Ah ลิเทียมไอออน

เวลาในการชาร์จ: ไม่เกิน 300 นาที

แรงบิดสูงสุด: ประมาณ 5 Nm

ความเร็วรอบสูงสุดขณะหมุนเปล่า: 200/min

หัวจับดอกไขควง: 6.35 มม. (1/4 นิ้ว)

### แรงสั่นสะเทือน (ตามมาตรฐาน EN 62841-1, EN 62841-2-2):

ขั้นสูง: ไม่ใช้แรงกระแทก:  $a_{rh} = 0.34 \text{ m/s}^2$ ,  $K = 1.5 \text{ m/s}^2$

### ระดับเสียง (ตามมาตรฐาน EN 62841-1):

แรงดันเสียง  $L_{pA} = 59 \text{ dB (A)}$ ,  $K_{pA} = 3 \text{ dB (A)}$

กำลังเสียง  $L_{WA} = 70 \text{ dB (A)}$ ,  $K_{WA} = 3 \text{ dB (A)}$

### ใช้ภายในอาคารเท่านั้น

### อัตราการใช้ที่แนะนำ:

5.0 โวลต์ (กระแสตรง) / 1.0-3.0 แอมแปร์ (type C), อุณหภูมิการทำงาน 0-50°C

### ส่วนประกอบของสินค้า

หมายเลขระบุคุณลักษณะต่าง ๆ ของผลิตภัณฑ์ที่สามารถดูได้จากภาพประกอบภาพที่ 1 ในหน้ากราฟิก

1. ตัวไขควง
2. ตัวต่อดอกไขควง
3. สวิตช์เปิด/ปิด
4. ช่องเสียบชาร์จแบบ USB-C
5. ตัวต่อดอกไขควงแบบแม่เหล็ก
6. ไฟ LED แสดงการทำงาน
7. สวิตช์ควบคุมทิศทางการหมุน
8. ตัวแสดงสถานะการทำงานที่ใช้ไฟ LED

### หมายเหตุ!

สาย USB-C และที่ชาร์จ USB จะไม่รวมอยู่ในชุดอุปกรณ์

### ขอบเขตการใช้งาน

ไขควงไฟฟ้าใช้สำหรับขันและคลายสกรู

การใช้งานเครื่องมือนี้ต้องเป็นไปตามวัตถุประสงค์ที่กำหนดไว้เท่านั้น การใช้งานอื่นใดนอกเหนือจากนี้จะเป็นการใช้งานในทางที่ผิด

## ข้อปฏิบัติทั่วไปเพื่อความปลอดภัย

### คำแนะนำทั่วไปเพื่อความปลอดภัย



**คำเตือน!** อ่านคำเตือน คำแนะนำ ภาพประกอบ และข้อมูลจำเพาะที่เกี่ยวข้องกับความปลอดภัยทั้งหมดที่นำมาพร้อมกับเครื่องมือไฟฟ้านี้ หากไม่ปฏิบัติตามคำแนะนำทั้งหมดที่ระบุไว้ด้านล่างอาจส่งผลให้เกิดไฟฟ้าดูด ไฟไหม้ และ/หรือได้รับบาดเจ็บร้ายแรงได้

**เก็บคำเตือนและคำแนะนำทั้งหมดเอาไว้เพื่อใช้อ้างอิงในอนาคต**

คำว่า "เครื่องมือไฟฟ้า" ในคำเตือน จะหมายถึงเครื่องมือไฟฟ้าที่ทำงานด้วยกระแสไฟฟ้า (มีสาย) หรือเครื่องมือไฟฟ้าที่ทำงานด้วยแบตเตอรี่ (ไร้สาย)

### ความปลอดภัยในที่ทำงาน

1. **รักษาความสะอาดของในที่ทำงาน และจัดให้มีแสงสว่างเพียงพอ** ที่ทำงานที่มีด รกรุงรังหรือไม่เป็นระเบียบสามารถก่อให้เกิดอุบัติเหตุได้ง่าย
2. **ห้ามใช้เครื่องมือไฟฟ้าในสภาพแวดล้อมที่อาจเกิดระเบิดได้** เช่น ในที่ที่มีของเหลวไวไฟ ก๊าซ หรือฝุ่นละออง เพราะขณะใช้งานเครื่องมือจะก่อประกายไฟ ซึ่งอาจทำให้ฝุ่นละอองในบริเวณนั้นติดไฟและลุกไหม้ขึ้นได้
3. **ขณะใช้เครื่องมือ ควรให้เด็กและบุคคลอื่นอยู่นอกบริเวณที่ปฏิบัติงาน** การเสียสมาธิขณะทำงาน อาจก่อให้เกิดอุบัติเหตุได้

### ความปลอดภัยในการใช้เครื่องมือไฟฟ้า

1. **ปลั๊กของเครื่องมือไฟฟ้าต้องใช้กับเต้ารับที่เข้ากันได้** ห้ามดัดแปลงแก้ไขปลั๊กไม่ว่าด้วยวิธีใด ห้ามใช้อะแดปเตอร์ต่อกับเครื่องมือไฟฟ้าที่มีสายดิน การใช้ปลั๊กไฟและเต้ารับชนิดที่ถูกต้องเข้ากันได้ ช่วยลดโอกาสเสียงที่จะเกิดไฟฟ้าดูด
2. **หลีกเลี่ยงการสัมผัสกับพื้นผิวที่ทำให้เกิดไฟดูดได้ง่าย** เช่น ก่อ เครื่องทำความร้อน เตา และตู้เย็น เพราะเมื่อร่างกายหรืออวัยวะสัมผัสกับพื้นผิวเหล่านี้ ทำให้ไฟฟ้าไหลครบวงจร และเกิดไฟดูดได้
3. **เก็บเครื่องมืออย่าให้เปียกฝนหรืออยู่ในสภาพเปียกชื้น** ถ้านำเข้าเครื่อง จะยังทำให้มีความเสี่ยงสูงที่จะถูกไฟดูด
4. **ใช้สายไฟอย่างถูกต้อง ห้ามหิ้วเครื่องมือโดยหิ้วที่สายไฟ ห้ามดึงสายไฟเพื่อดึงเครื่องมือเข้าหาตัว และห้ามกระชากสายไฟเพื่อถอดปลั๊ก เก็บสายไฟให้พ้นจากความร้อน** น้ำมัน ของมีคม หรือเครื่องจักรที่กำลังหมุนหรือเคลื่อนไหว สายไฟที่ชำรุดเสียหายหรือพันกัน ทำให้มีความเสี่ยงสูงที่จะถูกไฟดูด
5. **เมื่อนำเครื่องมือไปใช้นอกบ้านหรือกลางแจ้ง** ให้เลือกใช้สายต่อพ่วงที่เหมาะสมสำหรับใช้งานภายนอก เพื่อลดความเสี่ยงของการเกิดไฟฟ้าดูด รวมถึงใช้เบรกเกอร์ป้องกันไฟรั่วไฟดูด (residual circuit breaker device)
6. **ไม่แนะนำให้ใช้เครื่องมือในที่เปียกชื้น แต่หากหลีกเลี่ยงไม่ได้** ให้ใช้เครื่องตัดกระแสไฟ RCD เพื่อป้องกันไฟดูด

### ความปลอดภัยส่วนบุคคล

1. **ต้องมึสติและตื่นตัวอยู่เสมอ** ห้ามละสายตาจากงานที่ทำ ห้ามใช้เครื่องมือขณะรู้สึกเหนื่อย อ่อนเพลีย มีเมฆาหรือขณะใช้ยา การเหม่อลอยหรือขาดสติเพียงชั่วครู่อาจก่อให้เกิดอันตรายหรือการบาดเจ็บรุนแรงต่อผู้ใช้งานได้
2. **ใช้อุปกรณ์เพื่อความปลอดภัยให้เหมาะกับงานที่ทำ** เช่น หน้ากากกันฝุ่น รองเท้าและหมวกนิรภัย ที่อุดหู และสวมแว่นตานิรภัยตลอดเวลาที่ใช้เครื่องมือ
3. **ก่อนเสียบปลั๊ก ตรวจสอบว่าสวิตช์เครื่องปิดอยู่** เพื่อป้องกันการกดปุ่มเปิดโดยไม่ตั้งใจ การถือเครื่องมือโดยวางนิ้วไว้บนโกสวิตช์หรือเปิดสวิตช์ก่อนเสียบปลั๊ก เป็นการประมาทที่ก่อให้เกิดอันตรายและอุบัติเหตุได้
4. **ถอดประแจหรือจำปาขึ้นออกก่อนเปิดใช้เครื่องมือ** การปล่อยจำปาติดไว้กับเครื่องมือที่กำลังหมุนอาจก่อให้เกิดอันตรายได้
5. **ขณะใช้เครื่องมือ อย่าเอื้อมหรือยื่นแขน** เพราะอาจทำให้เสียหลักได้ง่าย ควรยืนเต็มเท้าให้มั่นคงและทรงตัวได้ดี หากเกิดสถานการณ์ที่ไม่คาดคิด ก็ยังสามารถควบคุมเครื่องมือได้
6. **แต่งกายให้เหมาะสม** ห้ามสวมเครื่องแต่งกายที่หลวมหรือรุ่มร่าม ถ้าหมยยาวควรรวบขึ้นให้หมด ระวังผม เครื่องแต่งกายหรือถุงมือถูกดึงเข้าไปพันในเครื่อง
7. **ถ้ามีอุปกรณ์เสริมที่ใช้ดูดฝุ่นหรือเก็บฝุ่นให้มาด้วย** ต้องต่ออุปกรณ์นั้นเข้ากับเครื่องมือให้ถูกต้อง การใช้อุปกรณ์นี้จะช่วยลดอันตรายจากฝุ่นละออง

8. **อย่าให้ความเคยชินจากการใช้อุปกรณ์บ่อยครั้งทำให้ผู้ใช้งานชะล่าใจและไม่ปฏิบัติตามคำแนะนำด้านความปลอดภัย** การกระทำที่ขาดความระมัดระวังเพียงไม่กี่เสี้ยววินาทีอาจนำไปสู่การบาดเจ็บร้ายแรงได้

### **การใช้งานและการดูแลรักษาเครื่องมือไฟฟ้า**

1. **อย่าใช้เครื่องมือผิดประเภท เลือกใช้เครื่องมือให้เหมาะกับลักษณะงานที่กำลังทำ** เพื่อความปลอดภัยในการทำงานและเพื่อให้ได้ชิ้นงานที่มีคุณภาพตามต้องการ
2. **ห้ามใช้เครื่องมือ หากสวิตช์เปิดปิดเสียหรือไม่เป็นปกติ** ต้องส่งซ่อมทันที การฝืนใช้งานต่อก่อให้เกิดอันตรายได้
3. **ถอดปลั๊กไฟออกทุกครั้ง ก่อนปรับค่าใดๆ** หรือเปลี่ยนอุปกรณ์ของเครื่อง และถอดปลั๊กออกก่อนเก็บเครื่องมือ เพื่อป้องกันการเปิดเครื่องโดยไม่ตั้งใจ
4. **เมื่อไม่ใช้งาน ควรเก็บเครื่องมือให้พ้นมือเด็ก** และห้ามผู้ไม่ชำนาญหรือไม่ทราบวิธีใช้ ใช้เครื่องมือนี้เด็ดขาด เพราะจะก่อให้เกิดอันตรายได้โดยง่าย
5. **เก็บรักษาเครื่องมือให้อยู่ในสภาพดีเสมอเพื่อให้ใช้งานได้เป็นปกติ** ตรวจสอบว่าชิ้นส่วนต่างๆ อยู่ในสภาพสมบูรณ์ ไม่แตกหักเสียหาย หรืออยู่ในสภาพที่อาจส่งผลกระทบต่อการใช้งาน ถ้าพบการชำรุดเสียหาย ให้ส่งซ่อมก่อนนำไปใช้ อุปกรณ์หลายครั้งเกิดจากการใช้เครื่องมือที่ไม่ได้เก็บรักษาและดูแลอย่างเหมาะสม
6. **ควรรักษาอุปกรณ์ตัด (ใบเลื่อยหรือดอกสว่าน)** ให้คมและสะอาดอยู่เสมอ การเก็บรักษาอย่างถูกวิธีจะช่วยให้อุปกรณ์ตัดมีความคม ควบคุมได้ง่าย และลดปัญหาการขัดข้องหรือติดอยู่กับชิ้นงาน
7. **ใช้เครื่องมือไฟฟ้า ดอกไขควง และอุปกรณ์เสริมต่างๆ** อย่างถูกต้องตามที่ระบุไว้ในคู่มือคำแนะนำ โดยคำนึงถึงวัตถุประสงค์การใช้งานของเครื่องมือนั้น สภาพแวดล้อมการทำงานและลักษณะงานที่กำลังทำ การใช้งานผิดวัตถุประสงค์อาจก่อให้เกิดอันตรายได้
8. **ห้ามจับและส่วนอื่นๆ ที่ต้องใช้มือจับขณะใช้งานอุปกรณ์ต้องแห้งอยู่เสมอและไม่มีคราบน้ำมันหรือคราบเปื้อน** หากพื้นผิวของส่วนดังกล่าวชื้น จะทำให้ใช้งานอุปกรณ์ได้ไม่ปลอดภัยและไม่สามารถควบคุมอุปกรณ์ได้ในกรณีที่เกิดเหตุฉุกเฉิน

### **การใช้งานและดูแลรักษาเครื่องมือที่ใช้แบตเตอรี่**

1. **ใช้เฉพาะที่ชาร์จที่ผู้ผลิตระบุให้ใช้กับเครื่องมือชนิดนั้น** การใช้ที่ชาร์จที่ไม่ใช่ของเครื่องมือนั้นอาจทำให้เกิดไฟไหม้ได้
2. **ใช้เครื่องมือกับแบตเตอรี่ชนิดที่ถูกต้อง** การใช้แบตเตอรี่ไม่เหมาะสมอาจทำให้เกิดไฟไหม้หรืออาการบาดเจ็บได้
3. **เมื่อไม่ใช้แบตเตอรี่ ให้เก็บแบตเตอรี่ให้ห่างจากวัตถุอื่นที่เป็นโลหะ** เช่น คลิปหนีบกระดาษ เหรียญ กุญแจ ตะปู สกรู หรือโลหะอื่นๆ ที่อาจสัมผัสขั้วแบตเตอรี่ จนทำให้เกิดการลัดวงจรของขั้วแบตเตอรี่ เป็นสาเหตุให้เกิดไฟไหม้ได้
4. **การใช้งานไม่ถูกต้องอาจทำให้แบตเตอรี่เสื่อม** ห้ามสัมผัสแบตเตอรี่และของเหลวอื่น หากของเหลวถูกผิวหนัง ให้ล้างออกด้วยน้ำสะอาดปริมาณมาก ถ้าเข้าตา ให้รีบไปพบแพทย์ ของเหลวที่เยิ้มออกจากรถแบตเตอรี่ อาจก่อให้เกิดการระคายเคืองผิวหนังหรือเกิดแผลไหม้ได้
5. **อย่าใช้แบตเตอรี่หรือเครื่องมือที่ชำรุดหรือถูกดัดแปลงแก้ไข** แบตเตอรี่ที่ชำรุดหรือถูกดัดแปลงแก้ไขอาจแสดงอาการที่คาดเดาไม่ได้ ทำให้เกิดไฟไหม้ ระเบิด หรือเสียงต่อการได้รับบาดเจ็บ
6. **อย่าใช้แบตเตอรี่หรือเครื่องมือสัมผัสกับไฟหรืออุณหภูมิที่สูงเกินไป** การสัมผัสกับไฟหรืออุณหภูมิที่สูงเกิน 130 °C อาจทำให้เกิดการระเบิดได้
7. **ปฏิบัติตามคำแนะนำในการชาร์จทั้งหมด** และอย่าชาร์จแบตเตอรี่หรือเครื่องมือเกินกว่าช่วงอุณหภูมิที่ระบุไว้ในคำแนะนำ การชาร์จอย่างไม่เหมาะสมหรือมีอุณหภูมิอยู่นอกช่วงที่กำหนดอาจทำให้แบตเตอรี่ชำรุดเสียหายและมีโอกาสเสี่ยงมากขึ้นที่จะเกิดไฟไหม้

### **การซ่อมแซม**

1. **ควรส่งซ่อมโดยช่างซ่อมผู้ชำนาญ** และใช้เฉพาะชิ้นส่วนและอะไหล่ของแท้เท่านั้น เพื่อให้งานได้ใจได้ในความปลอดภัยของเครื่องมือนหลังการซ่อม
2. **ห้ามซ่อมแบตเตอรี่ที่ชำรุด** การซ่อมแบตเตอรี่ต้องดำเนินการโดยบริษัทผู้ผลิตหรือผู้ให้บริการที่ได้รับอนุญาตแล้วเท่านั้น

### **ข้อปฏิบัติเพื่อความปลอดภัย**

#### **คำเตือนเพื่อความปลอดภัย**

**จับเครื่องมือไฟฟ้าที่บริเวณมือจับซึ่งมีฉนวนหุ้ม** เมื่องานที่กำลังจะทำอาจทำให้ตัวยึดปลั๊กสัมผัสโดนสายไฟที่ซ่อนอยู่ได้ ตัวยึดที่สัมผัสโดนสายไฟ "ที่มีกระแสไฟฟ้าไหลผ่าน" อาจทำให้ชิ้นส่วนโลหะที่เปิดอยู่ของเครื่องมือไฟฟ้าเกิดการนำไฟฟ้า และอาจทำให้ผู้ปฏิบัติงานถูกไฟฟ้าดูดได้

**ใช้อุปกรณ์ที่เหมาะสมเพื่อหาสายไฟ ท่อแก๊ส หรือท่อประปาที่อาจซ่อนอยู่** หรือติดต่อบริษัทที่ให้บริการในพื้นที่มาตรวจสอบให้ เพื่อป้องกันการเจาะถูกสายเหล่านี้ การเจาะถูกสายไฟหรือท่อแก๊สอาจทำให้เกิดไฟไหม้ ถูกไฟดูด หรือเกิดระเบิดจากแก๊สรั่ว และการเจาะถูกท่อประปาอาจทำให้ทรัพย์สินเสียหายหรืออาจทำให้ถูกไฟดูดได้

**ปิดสวิตช์เครื่องมือไฟฟ้าทันทีที่เครื่องมือเกิดการติดขัดหรือสะดุด** เตรียมความพร้อมสำหรับการรับมือกับแรงบิดย้อนกลับในระดับสูงซึ่งอาจทำให้เกิดการติดกลับ เครื่องมือจะเกิดการติดขัดเมื่อ:

- เครื่องมือไฟฟ้าถูกใช้งานมากเกินไป (โอเวอร์โหลด)
- หรือ เครื่องมือติดอยู่ในชิ้นงาน

**จับเครื่องมือให้แน่น** เพราะเครื่องมืออาจสะบัดขณะจับและคลายสกรู

**ยึดชิ้นงานให้มั่น** ควรใช้คีมหรือปากกาจับชิ้นงาน เพราะจับได้แน่นและปลอดภัยกว่าใช้มือจับ

**รักษาพื้นที่ทำงานให้สะอาดอยู่เสมอ** การกองวัสดุรวมกันก่อให้เกิดอันตรายได้ง่าย เศษฝุ่นอัลลอยอาจติดไฟและระเบิดได้

**ให้รองเครื่องมือหยุดสนิทก่อนค่อยวางเครื่องมือลง** มิฉะนั้นอาจทำให้เกิดความเสียหายต่อเครื่องมือไม่ได้

**ก่อนใส่แบตเตอรี่ ตรวจสอบว่าสวิตช์เครื่องปิดอยู่** เพื่อป้องกันการกดปุ่มเปิดโดยไม่ได้ตั้งใจ การถือเครื่องมือโดยวางนิ้วไว้บนโกสวิตช์หรือเปิดสวิตช์ค้างไว้ก่อนเสียบปลั๊กหรือใส่แบตเตอรี่ เป็นการประมาทที่ก่อให้เกิดอันตรายและอุบัติเหตุได้

**ค่าเตือนเพื่อความปลอดภัยในการใช้ที่ชาร์จ**



สำหรับใช้งานภายในอาคารเท่านั้น

**อย่าให้ที่ชาร์จแบตเตอรี่เปียกฝน** เปียกน้ำ หรือถูกความชื้น ถ้าที่ชาร์จเปียกจะทำให้ถูกไฟดูดได้ง่าย

**ห้ามใช้ที่ชาร์จนี้ชาร์จแบตเตอรี่อื่น** ที่ชาร์จเหมาะสำหรับชาร์จแบตเตอรี่ของเครื่องมือนี้เท่านั้น การฝืนใช้กับแบตเตอรี่อื่น อาจทำให้เกิดไฟไหม้หรือระเบิดได้

**เก็บที่ชาร์จให้สะอาดอยู่เสมอ** ที่ชาร์จที่สกปรกอาจทำให้เกิดไฟดูดได้

**ก่อนใช้งาน ให้ตรวจสอบที่ชาร์จ สายไฟ และปลั๊กก่อนเสมอ** ห้ามใช้งานเด็ดขาดหากชำรุด ห้ามแกะชิ้นส่วนที่ชาร์จเองเด็ดขาด ให้ส่งซ่อมโดยช่างผู้ชำนาญเท่านั้น ที่ชาร์จ สายไฟ และปลั๊กที่ชำรุด ทำให้ผู้ใช้ถูกไฟดูดได้ง่าย

**ห้ามชาร์จไฟแบตเตอรี่บนพื้นผิวที่ติดไฟง่าย เช่น** กระดาษ ผ้า ฯลฯ หรือในบริเวณที่ติดไฟง่าย เพราะความร้อนที่เกิดขึ้นขณะชาร์จแบตเตอรี่อาจก่อประกายไฟ ทำให้เกิดไฟไหม้ได้

**ห้ามเด็กเล่นที่ชาร์จแบตเตอรี่เด็ดขาด**

**ข้อมูลเกี่ยวกับการสั้นสะเทือนและเสียง**

**ระดับการสั้นสะเทือนและเสียง**

ระดับของการสั้นสะเทือนและเสียงที่ระบุไว้ในคู่มือการใช้งานฉบับนี้เป็นค่าตามการทดสอบซึ่งเป็นไปตามมาตรฐาน EN 62841 ข้อมูลนี้สามารถนำไปใช้เปรียบเทียบเครื่องมืออื่นกับเครื่องมืออื่น และใช้เป็นการประเมินขั้นต้นเพื่อให้ทราบถึงระดับการสั้นสะเทือนและเสียงขณะใช้เครื่องมือเพื่อทำงานตามที่ระบุไว้ในคู่มือฉบับนี้ อย่างไรก็ตาม การใช้งานเครื่องมือนี้ในการทำงานที่ต่างออกไป หรือใช้งานร่วมกับอุปกรณ์เสริมที่ต่างออกไปหรืออุปกรณ์เสริมที่ได้รับการดูแลรักษาอย่างไม่เหมาะสม อาจทำให้ระดับการสั้นสะเทือนและเสียงเพิ่มขึ้นอย่างเห็นได้ชัด

การประมาณระดับการสั่นสะเทือนและเสียงควรพิจารณาถึงเวลาที่เปิดสวิตช์เครื่องมือเอาไว้ หรือเวลาที่เปิดสวิตช์เครื่องมือแต่ไม่ได้มีการใช้งานด้วยเช่นกัน เนื่องจากปัจจัยดังกล่าวอาจทำให้ระดับการสั่นสะเทือนและเสียงตลอดระยะเวลาการทำงานทั้งหมดลดลงอย่างเห็นได้ชัด ป้องกันตัวเองจากผลกระทบของการสั่นสะเทือนและเสียงโดยการดูแลรักษาเครื่องมือและอุปกรณ์เสริม ทำให้มือของคุณอุ่นอยู่เสมอ และจัดระเบียบงานของคุณ

## ความเสี่ยงอื่น ๆ

**แม้ว่าจะมีการใช้งานเครื่องมือไฟฟ้าตามที่กำหนดไว้ แต่การกำจัดปัจจัยเสี่ยงอื่น ๆ ทั้งหมดย่อมไม่สามารถเป็นไปได้ อันตรายดังต่อไปนี้อาจเกิดขึ้นได้เนื่องจากโครงสร้างและการออกแบบของเครื่องมือไฟฟ้า ได้แก่**



ความเสียหายต่อปอดหากไม่ได้สวมหน้ากากกันฝุ่นที่มีประสิทธิภาพ



ความเสียหายต่อการได้ยินหากไม่ได้สวมอุปกรณ์ป้องกันเสียงที่มีประสิทธิภาพ



ความเสียหายต่อสุขภาพที่เกิดจากการสั่นสะเทือนหากมีการใช้งานเครื่องมือไฟฟ้าเป็นระยะเวลานานเกินไป หรือไม่ได้มีการจัดการหรือดูแลรักษาอย่างเหมาะสม



**คำเตือน!** เครื่องมือไฟฟ้านี้จะสร้างสนามแม่เหล็กขึ้นในระหว่างที่มีการใช้งาน ในสถานการณ์บางอย่าง สนามแม่เหล็กนี้อาจรบกวนอุปกรณ์การแพทย์ที่ฝังอยู่ในร่างกายทั้งแบบที่ใช้แหล่งพลังงานภายนอกในการขับเคลื่อน (active medical implants) หรือแบบที่ไม่ใช้แหล่งพลังงานภายนอกในการขับเคลื่อน (passive medical implants) เพื่อเป็นการลดความเสี่ยงที่จะเกิดการบาดเจ็บรุนแรงหรือถึงแก่ชีวิต เราขอแนะนำให้ผู้ที่ใช้อุปกรณ์การแพทย์ฝังอยู่ในร่างกายทำการปรึกษาแพทย์และบริษัทผู้ผลิตอุปกรณ์ดังกล่าว ก่อนใช้งานเครื่องมือนี้

## วิธีประกอบ

ก่อนดำเนินการใดๆ กับเครื่องจักร (เช่น บำรุงรักษา เปลี่ยนเครื่องมือ ฯลฯ) รวมถึงระหว่างการขนย้ายและจัดเก็บ ให้ตัดสวิตช์เปลี่ยนทิศทางการหมุนไว้ตรงกลาง การกดโกส่วนโดยไม่ได้ตั้งใจอาจทำให้เกิดการบาดเจ็บได้

## ให้อ่านคำแนะนำด้านความปลอดภัยก่อน จากนั้นปฏิบัติตามคำแนะนำในการชาร์จ

ต่อปลายสาย USB-C เข้ากับพอร์ต USB-C (ภาพที่ 2) (A) ในใบคู่มือ จากนั้นต่อปลายอีกด้านของสาย USB เข้ากับที่ชาร์จ USB หรือเต้าเสียบ USB ที่สามารถให้กำลังไฟเพื่อชาร์จไฟได้อย่างเพียงพอ ตรวจสอบให้แน่ใจว่าสาย USB ไม่ผูกเป็นปมหรือหักงอ

เมื่อต่อไฟคองเข้ากับแหล่งจ่ายไฟโดยใช้สาย USB-C แล้ว ไฟไดโอดสถานะจุดบนไฟคอง (ภาพที่ 2) (B) จะติดสว่างเพื่อแสดงถึงสถานะการชาร์จ:

- ไฟกะพริบเป็นจังหวะ - กำลังทำการชาร์จอยู่

- ไฟติดสว่างค้างไว้ - ทำการชาร์จเสร็จแล้ว

หลังจากที่แบตเตอรี่ของไฟคองมีการชาร์จไฟจนเต็มแล้วและไฟคองยังคง

ต่อกับแหล่งจ่ายไฟอยู่ ไฟไดโอดจะยังคงติดสว่าง หากเป็นการใช้งานตามปกติ ไฟคองสามารถชาร์จไฟใหม่ได้หลายร้อยครั้ง

**หมายเหตุ:** แบตเตอรี่ที่ให้มาพร้อมไฟคอง/ส่วนได้รับการชาร์จเพื่อทดสอบการใช้งานเท่านั้น และต้องชาร์จแบตเตอรี่ให้เต็มอีกครั้งก่อนใช้งานครั้งแรก

ส่วนไฟคอง TRIXIG/ทริกซิก และชุดแบตเตอรี่ TRIXIG/ทริกซิก ออกแบบให้ใช้ร่วมกัน

ห้ามใช้ชุดแบตเตอรี่นี้กับเครื่องมือไร้สายจากผู้ผลิตรายอื่น

แบตเตอรี่ลิเธียมไอออนได้รับการปกป้องจากการคายประจุโดย "Electronic Cell Protection (ECP)" เมื่อแบตเตอรี่หมด วงจรป้องกันจะปิดเครื่องอุปกรณ์ และเครื่องมือที่ใส่ไว้จะไม่หมุนอีกต่อไป



**คำเตือน** อย่ากดสวิตช์เปิด/ปิดหลังจากที่เครื่องปิดโดยอัตโนมัติแล้ว เนื่องจากแบตเตอรี่อาจเสียหายได้



**คำเตือน!** ชาร์จแบตเตอรี่บนพื้นผิวที่ไม่ติดไฟ อย่าชาร์จแบตเตอรี่นานเกิน 8 ชั่วโมง

## คำแนะนำการใช้งาน

### การใช้งาน

ใช้กับดอกไขควงหัวหกเหลี่ยม ขนาด 6.35 มม. (1/4 นิ้ว)

### การใส่ดอกไขควง (ภาพที่ 3)

เลือกใส่ดอกไขควงที่มีขนาดเหมาะสมกับสกรูที่ต้องการขัน ใส่ดอกไขควงลงในหัวไขควง แล้วกดให้แน่น

**หมายเหตุ:** ให้เจาะรูนำทุกครั้งก่อนใช้ไขควงขันสกรู

### การเปิดและการปิดสวิตช์

สำหรับการขันสกรู ให้กดสวิตช์เปิด/ปิด (3) เมื่อปล่อยสวิตช์เปิด/ปิด จะเป็นการหยุดการทำงานของไขควง สำหรับการถอนสกรูและการเปลี่ยนทิศทางการหมุน ให้กดสวิตช์ควบคุมทิศทางการหมุน (7)

### ล๊อคเพลลาอัตโนมัติ

หากต้องการใช้เป็นไขควงธรรมดา ให้กดไกสวิตช์ปิด เพลลาจะล๊อคอัตโนมัติ สามารถขันสกรูเข้าออกได้ด้วยแรงหมุนจากมือ

### หัวจับดอกไขควงแม่เหล็ก

เก็บดอกไขควงประเภทต่างๆ ที่กำลังใช้งานไว้บนหัวจับดอกไขควงแม่เหล็ก(5)บริเวณด้านบนของไขควงเพื่อให้หยิบใช้สะดวกขณะทำงาน



## ไฟ LED สำหรับทำงาน

ไขควงมีไฟ LED ในตัวเพื่อให้พื้นที่ทำงานสว่างไสว ไฟ LED จะสว่างขึ้นทุกครั้งที่คุณกดสวิทช์ให้ทำงาน และจะดับลงเมื่อปล่อยสวิทช์

## การดูแลรักษาและทำความสะอาด

เก็บไขควงให้สะอาดและแห้งตลอดเวลาเพื่อให้ไขควงทำงานได้ตามปกติและปลอดภัย เช็ดสิ่งสกปรกออกโดยใช้ผ้านุ่มๆ น้ำ ห้ามใช้สารทำความสะอาดหรือตัวทำละลายใดๆ

รักษาความสะอาดของเครื่องและช่องระบายอากาศอยู่เสมอ เพื่อการทำงานที่ปกติและปลอดภัย

สินค้านี้มิได้สำหรับการใช้งานภายในบ้าน มิได้มีไว้ใช้สำหรับการวัดเชิงพาณิชย์หรือการวัดที่ได้รับการรับรองและดำเนินการโดยผู้เชี่ยวชาญ

## เก็บคู่มือนี้ไว้เพื่อการใช้งานในอนาคต

ผู้ผลิต: **IKEA of Sweden AB**

ที่อยู่: **Box 702, SE-343 81 Älmhult, SWEDEN**



แบตเตอรี่และแบตเตอรี่แบบชาร์จไฟใหม่ได้ไม่ใช่ขยะในครัวเรือน! ในฐานะที่เป็นผู้บริโภค คุณมีหน้าที่ตามกฎหมายที่จะต้องนำแบตเตอรี่และอุปกรณ์ที่มีเซลล์สะสมไฟฟ้าทั้งหมด (ไม่ว่าจะเป็นแบบที่มีสารอันตราย\*หรือไม่ก็ตาม) ไปทิ้งยังจุดรวบรวมในเขตเทศบาล/พื้นที่ใกล้บ้านของคุณ หรือผ่านทางองค์กรธุรกิจที่ให้บริการกำจัดแบตเตอรี่ เพื่อที่แบตเตอรี่ต่าง ๆ จะถูกกำจัดด้วยวิธีการที่ไม่เป็นอันตรายต่อสิ่งแวดล้อม

\* หมายถึง: Cd = แคดเมียม, Hg = ปรอท, Pb = ตะกั่ว



สัญลักษณ์รูปถังขยะถูกกากบาท เป็นเครื่องหมายแสดงว่าผลิตภัณฑ์นั้นต้องแยกกำจัดเมื่อสิ้นอายุใช้งาน ห้ามทิ้งรวมกับขยะอื่นๆ ในบ้าน ควรส่งผลิตภัณฑ์ไปกำจัดหรือรีไซเคิลให้ถูกต้องตามข้อกำหนดในแต่ละท้องถิ่น การแยกผลิตภัณฑ์ประเภทนี้ออกจากขยะอื่นๆ จะช่วยลดปริมาณขยะที่จะส่งไปยังโรงเผาหรือพื้นที่ฝังกลบ และยังช่วยลดผลกระทบต่อด้านสุขอนามัยและสิ่งแวดล้อม หากต้องการข้อมูลเพิ่มเติม กรุณาติดต่อ IKEA

# Tiếng Việt

Máy vặn vít không dây 3.6V

Thông số kỹ thuật

Mẫu: TRIXIG

Loại: P2201

Điện áp: 3.6 Vdc.

Loại pin: 1.5 Ah / 5.4Wh Lithium-Ion

Thời gian sạc: <300 phút

tối đa. mô-men xoắn cứng: xấp xỉ 5 Nm

Tốc độ không tải tối đa: 200/min

Đầu kẹp chìa vặn vít: 6.35 mm (1/4")

**Độ rung (theo 62841-1, EN 62841-2-2):**

Vặn vít không có động lực:  $a_h=0.34 \text{ m/s}^2$ ,  $K=1.5 \text{ m/s}^2$ .

**Độ ồn (theo EN 60745-1):**

Ngưỡng áp lực độ ồn  $L_{pA} = 59 \text{ dB (A)}$ ,  $K_{pA} = 3 \text{ dB (A)}$

Ngưỡng công suất độ ồn  $L_{WA} = 70 \text{ dB (A)}$ ,  $K_{WA} = 3 \text{ dB (A)}$

**Chỉ phù hợp để sử dụng trong nhà.**

**Đánh giá độ sạc theo khuyến nghị:**

5.0V d.c./ 1.0-3.0A (loại C), nhiệt độ sạc 0-50°C

**Tính năng sản phẩm**

Việc đánh số các tính năng sản phẩm được hiển thị đề cập đến hình minh họa số 1 trên trang đồ họa.

1. Thân chính của chìa vặn vít
2. Giá đỡ chìa vặn vít
3. Công tắc BẬT/ TẮT
4. Ổ cắm sạc USB-C
5. Giá đỡ bit nam châm
6. Đèn LED làm việc
7. Công tắc hướng quay
8. Đèn LED báo trạng thái.

**LƯU Ý!**

Bộ dụng cụ không bao gồm cáp USB-C và bộ sạc USB.

**PHẠM VI SỬ DỤNG**

Trẻ em cần được giám sát để đảm bảo chúng không chơi đùa cùng thiết bị.

Chỉ được sử dụng dụng cụ này theo mục đích mà nó quy định. Bất kỳ mục đích sử dụng nào khác quy định này sẽ được coi là một trường hợp sử dụng sai.

**HƯỚNG DẪN AN TOÀN CHUNG**

Hướng dẫn an toàn cho thiết bị điện



**CẢNH BÁO!** Vui lòng đọc tất cả các cảnh báo an toàn, hướng dẫn, hình minh họa và thông số kỹ thuật đi kèm với dụng cụ điện này. Nếu không tuân theo tất cả các hướng dẫn được liệt kê dưới đây, có thể dẫn đến điện giật, hỏa hoạn và/hoặc gây thương tích nghiêm trọng.

## Hãy lưu giữ tất cả những cảnh báo và hướng dẫn này để dùng khi cần

Thuật ngữ "dụng cụ điện cầm tay" trong các cảnh báo đề cập đến dụng cụ điện (có dây điện) vận hành bằng nguồn điện hoặc dụng cụ điện (không dây) vận hành bằng pin.

### An toàn ở môi trường làm việc

- Giữ môi trường làm việc sạch sẽ và đầy đủ ánh sáng.** Khu vực làm việc lộn xộn và tối sẽ dễ gây ra tai nạn.
- Không dùng các thiết bị điện trong môi trường dễ cháy nổ, ví dụ môi trường có chất lỏng, khí gas hoặc bụi dễ bắt lửa.** Các thiết bị điện có thể tạo ra tia lửa và bốc cháy do khói bụi.
- Khi vận hành thiết bị điện, hãy đứng cách trẻ em và những người xung quanh một khoảng.** Việc sao lãng có thể dễ làm bạn mất kiểm soát.

### An toàn điện

- Phích cắm của thiết bị điện phải phù hợp với ổ cắm điện. Tuyệt đối không sửa đổi phích cắm dưới bất kỳ hình thức nào.** Không dùng phích chuyển đổi với các thiết bị điện với nối đất. Sử dụng phích cắm không chuyển đổi và ổ cắm phù hợp làm giảm nguy cơ bị điện giật.
- Tránh tương tác cơ thể với các bề mặt nối đất như đường ống, bộ tản nhiệt, lò nướng và tủ lạnh.** Khi cơ thể bạn nối đất sẽ làm tăng nguy cơ điện giật.
- Không để thiết bị điện tiếp xúc với mưa hoặc điều kiện ẩm ướt.** Nếu nước thấm vào thiết bị điện sẽ làm tăng nguy cơ bị điện giật.
- Sử dụng dây điện theo đúng công dụng. Không sử dụng dây điện để vận chuyển, kéo hoặc rút phích cắm thiết bị.** Đặt dây điện cách xa nhiệt, dầu, những cạnh sắc nhọn hoặc bộ phận đang chuyển động. Dây điện bị hư hỏng hoặc bị rơi sẽ làm tăng nguy cơ bị điện giật.
- Khi dùng thiết bị điện ngoài trời, sử dụng dây điện nối dài phù hợp cho điều kiện ngoài trời.** Việc này sẽ làm giảm nguy cơ bị điện giật.
- Nếu cần thiết phải sử dụng thiết bị điện trong môi trường ẩm ướt, thì cần phải kết nối thông qua một thiết bị dòng điện dư (RCD).** Việc này sẽ làm giảm nguy cơ bị điện giật.

### An toàn cá nhân

- Khi sử dụng các thiết bị điện, luôn tập trung, chú ý và áp dụng những kiến thức cơ bản.** Không dùng các thiết bị điện khi bạn mệt mỏi, chịu sự ảnh hưởng của chất kích thích, cồn hoặc các loại thuốc điều trị khác. Một khoảng khắc mất tập trung trong quá trình sử dụng có thể gây chấn thương nghiêm trọng.
- Sử dụng dụng cụ bảo hộ cá nhân. Luôn mang đồ bảo hộ dành cho mắt.** Dùng các loại dụng cụ bảo hộ như mặt nạ chống bụi, giày an toàn chống trượt, mũ bảo hiểm hoặc thiết bị bảo vệ thính giác trong điều kiện phù hợp, giúp giảm nguy cơ chấn thương.
- Để tránh khởi động sản phẩm một cách không chủ ý:** Đảm bảo rằng công tắc nằm ở vị trí tắt trước khi kết nối với ổ cắm và/hoặc pin; và trước khi cầm hoặc di chuyển thiết bị. Khi di chuyển thiết bị, không đặt ngón tay ở công tắc và ngắt khỏi nguồn điện để tránh gây ra tai nạn.
- Trước khi khởi động thiết bị, tháo gỡ khóa siết mở đầu kẹp hoặc chia vặn vít trước khi bật thiết bị.** Việc này giúp giảm nguy cơ chấn thương.
- Không vớ tay để lấy thiết bị.** Luôn duy trì tư thế thẳng bằng. Việc này cho phép bạn kiểm soát thiết bị tốt hơn trong các tình huống không lường trước được.
- Mặc quần áo phù hợp. Không mang đồ trang sức hoặc quần áo quá rộng.** Giữ tóc, găng tay và quần áo tránh xa các bộ phận chuyển động. Quần áo quá rộng, đồ trang sức và tóc có thể bị mắc kẹt vào trong các bộ phận chuyển động.
- Nếu thiết bị có đi kèm với bộ phận hút bụi, đảm bảo các bộ phận được kết nối và sử dụng đúng cách.** Việc sử dụng các thiết bị này giúp giảm nguy cơ nguy hiểm do bụi gây ra.
- Ngay cả khi bạn thường xuyên sử dụng các dụng cụ, đừng trở nên tự mãn và bỏ qua các quy tắc an toàn.** Một hành động bất cẩn có thể gây chấn thương nghiêm trọng chỉ trong tích tắc.

## Sử dụng và bảo quản thiết bị điện

- a. **Không dùng sai công dụng của các thiết bị.** Dùng thiết bị phù hợp với mục đích sử dụng. Thiết bị phù hợp sẽ giúp bạn làm việc hiệu quả và an toàn hơn.
- b. **Không sử dụng thiết bị điện nếu công tắc bật và tắt không hoạt động.** Trường hợp này có thể dẫn đến nguy hiểm và phải được sửa chữa.
- c. **Rút phích cắm của thiết bị khỏi nguồn điện và/hoặc pin trước khi tương tác với thiết bị,** ví dụ như khi điều chỉnh, thay đổi các phụ kiện hoặc lưu trữ. Việc này làm giảm nguy cơ khởi động thiết bị một cách không chủ ý.
- d. **Giữ thiết bị điện ngoài tầm tay trẻ em.** Không cho phép những người không biết về thiết bị hoặc về cách vận hành thiết bị. Thiết bị điện có thể trở nên nguy hiểm khi nằm trong tay của những người thiếu kinh nghiệm.
- e. **Bảo quản thiết bị cẩn thận. Kiểm tra để đảm bảo các bộ phận chuyển động không bị lệch hoặc bị nối vào nhau, các bộ phận khác không bị vỡ hoặc trong các tình trạng có thể ảnh hưởng đến sự vận hành thiết bị.** Nếu bị hư hỏng, thiết bị điện cần được sửa chữa trước khi sử dụng. Tai nạn có thể xảy ra do các thiết bị điện được bảo trì kém.
- f. **Giữ lưới cửa/dụng cụ cắt luôn sạch sẽ và sắc bén.** Việc này giúp người dùng kiểm soát thiết bị tốt hơn.
- g. **Sử dụng các thiết bị điện, phụ kiện, dụng cụ, v.v. theo hướng dẫn và theo mục đích sử dụng;** ngoài ra cần nhắc điều kiện làm việc và công việc cần làm. Sử dụng thiết bị cho những việc khác ngoài công dụng khuyến nghị có thể dẫn đến nguy hiểm.
- h. **Giữ tay cầm và bề mặt cầm nắm khô ráo, sạch sẽ và không có dầu mỡ.** Trong những tình huống bất ngờ, tay cầm và bề mặt cầm nắm bị trơn trượt sẽ không thể bảo đảm an toàn khi sử dụng và điều khiển thiết bị.

## Cách sử dụng và chăm sóc pin

- a. **Chỉ được dùng bộ sạc do nhà sản xuất chỉ định.** Bộ sạc thích hợp để dùng cho một loại pin có thể gây nguy hiểm nếu dùng với loại pin khác.
- b. **Chỉ dùng thiết bị điện cùng với loại pin được thiết kế riêng cho thiết bị đó.** Việc sử dụng các loại pin khác có thể gây ra chấn thương và hỏa hoạn.
- c. **Khi không sử dụng, cần để pin tránh xa các vật kim loại như kẹp giấy, đồng xu, chìa khóa, đinh, ốc vít hoặc các vật kim loại nhỏ khác có thể làm trung gian nối hai cực pin.** Các cực pin bị đoản mạch có thể gây ra hỏa hoạn hoặc gây bỏng.
- d. **Khi sử dụng quá mức, pin có thể sẽ tiết ra các chất lỏng, tránh tiếp xúc với các chất lỏng này.** Nếu vô tình tiếp xúc, cần rửa sạch với nước. Nếu chất lỏng bắn vào mắt, hãy đến cơ sở y tế gần nhất. Loại chất lỏng này có thể gây khó chịu hoặc làm da bị bỏng.
- e. **Không sử dụng bộ pin hoặc dụng cụ đã bị hỏng hoặc bị sửa đổi.** Pin bị hỏng hoặc bị sửa đổi có thể gây ra những tình huống không thể đoán trước, dẫn đến cháy, nổ hoặc nguy cơ chấn thương.
- f. **Không để pin hoặc dụng cụ tiếp xúc với lửa hoặc nhiệt độ quá cao.** Nếu pin tiếp xúc với lửa hoặc nhiệt độ trên 130°C có thể gây nổ.
- g. **Vui lòng làm theo tất cả các hướng dẫn sạc và không nên sạc bộ pin hoặc dụng cụ ngoài phạm vi nhiệt độ được chỉ định trong hướng dẫn.** Việc sạc không đúng cách hoặc ở nhiệt độ ngoài phạm vi quy định có thể làm hỏng pin và tăng nguy cơ hỏa hoạn.

## Bảo trì

- a. **Chỉ cho phép nhân viên sửa chữa có chuyên môn bảo trì và sửa chữa thiết bị điện,** tuyệt đối chỉ dùng các bộ phận thay thế giống với các bộ phận cũ. Điều này sẽ đảm bảo duy trì được độ an toàn cho thiết bị điện.
- b. **Không nên bảo dưỡng gói pin đã bị hỏng.** Việc bảo dưỡng bộ pin chỉ nên được nhà sản xuất hoặc nhà cung cấp dịch vụ được ủy quyền thực hiện.

## HƯỚNG DẪN AN TOÀN DÀNH RIÊNG CHO MÁY

### Cảnh báo an toàn dành cho máy khoan và máy vặn vít

**Giữ dụng cụ điện gần bề mặt tay cầm cách điện khi thực hiện thao tác để chi tiết kẹp có thể tiếp xúc với hệ thống dây điện ẩn.** Chốt tiếp xúc với dây "có điện" có thể làm cho các bộ phận kim loại lộ ra ngoài của dụng cụ điện cầm tay dẫn điện và có thể khiến người vận hành bị điện giật.

**Sử dụng thiết bị dò tìm phù hợp để xác định các đường ống điện nước nằm ẩn trong khu vực làm việc hoặc hãy liên hệ công ty hạ tầng kĩ thuật địa phương để được giúp đỡ.** Việc tiếp xúc với dây điện có thể gây ra hỏa hoạn hoặc điện giật. Việc làm hỏng đường ống gas có thể gây nổ. Việc xâm nhập đường ống nước có thể gây tổn thất về tài sản hoặc điện giật.

**Tắt dụng cụ điện ngay lập tức khi dụng cụ bị tắc hoặc kẹt.** Đè phòng mô-men xoắn phản ứng cao có thể gây giật ngược. Dụng cụ này bị chặn khi:

- dụng cụ điện bị quá tải
- hoặc dụng cụ bị kẹt trong phiê gia công.

**Cầm thiết bị chắc chắn.** Khi vận và tháo ốc vít có thể tạo ra một phản lực khá lớn.

**Cố định vật thể bạn đang** làm việc bằng các thiết bị kẹp hoặc mỏ cặp.

**Giữ nơi làm việc sạch sẽ.** Hỗn hợp các vật liệu khác nhau đặc biệt nguy hiểm. Bụi từ hợp kim nhẹ có thể gây cháy nổ.

**Trước khi đặt thiết bị xuống,** đợi đến khi thiết bị dừng lại hoàn toàn. Đầu gá có thể bị kẹp và dẫn đến việc bạn mất kiểm soát thiết bị.

**Tránh mở thiết bị một cách không chủ ý.** Đảm bảo rằng công tắc nằm ở vị trí tắt khi gắn pin vào. Khi di chuyển thiết bị, không đặt ngón tay lên công tắc hoặc lắp pin vào thiết bị khi công tắc đang được bật để Tránh gây ra tai nạn.

### Cảnh báo an toàn cho thiết bị sạc pin



Chỉ phù hợp để sử dụng trong nhà.

**Không để bộ sạc pin tiếp xúc với mưa và hơi ẩm.** Khi nước thấm vào bộ sạc pin sẽ làm tăng rủi ro giật điện.

**Không dùng bộ sạc pin để sạc các loại pin khác.** Thiết bị sạc này chỉ phù hợp để dùng cho loại pin đi kèm thiết bị điện. Nếu dùng sai cách có thể sẽ gây ra hỏa hoạn và cháy nổ.

**Giữ thiết bị sạc pin luôn sạch sẽ.** Nếu nhiễm bẩn có thể dẫn đến giật điện.

**Trước mỗi lần sử dụng, cần kiểm tra bộ sạc pin, dây điện và phích cắm.** Nếu phát hiện thấy hư hỏng, tuyệt đối không dùng bộ sạc. Tuyệt đối không tự mở pin bộ sạc. Chỉ nhờ thợ điện có chuyên môn sửa chữa. Khi bộ sạc pin, dây điện hoặc phích cắm bị hỏng sẽ tăng rủi ro giật điện.

**Không vận hành bộ sạc pin trên các bề mặt hoặc xung quanh khu vực dễ cháy nổ (như giấy, vải vóc, v.v.).** Nhiệt độ cao xảy ra trong quá trình sạc pin có thể gây hỏa hoạn.

**Trẻ em cần được giám sát để đảm bảo chúng không chơi đùa với thiết bị sạc.**

## THÔNG TIN VỀ ĐỘ RUNG VÀ TIẾNG ỒN

### Mức độ rung và tiếng ồn

Mức phát ra tiếng ồn và độ rung được nêu trong hướng dẫn sử dụng này đã được đo theo thử nghiệm tiêu chuẩn hóa trong EN 62841. Tiêu chuẩn này có thể được sử dụng để so sánh một dụng cụ này với một dụng cụ khác và cũng được sử dụng như một đánh giá sơ bộ về mức độ tiếp xúc với độ rung và tiếng ồn khi sử dụng dụng cụ cho các ứng dụng được đề cập trong hướng dẫn này. Tuy nhiên, việc sử dụng dụng cụ cho các ứng dụng khác nhau hoặc cùng với các phụ kiện khác hoặc được bảo trì kém, có thể làm tăng đáng kể mức độ tiếp xúc.

Việc ước tính mức độ tiếp xúc với rung động và tiếng ồn cũng nên tính đến thời điểm tắt dụng cụ hoặc khi dụng cụ đang chạy nhưng không được sử dụng, vì điều này có thể làm giảm đáng kể mức độ tiếp xúc trong tổng thời gian làm việc. Bảo vệ bạn khỏi tác động của độ rung và tiếng ồn bằng cách bảo dưỡng dụng cụ và các phụ kiện của nó, giữ tay bạn ấm và sắp xếp công việc của bạn.

### Các rủi ro khác

**Ngay cả khi dụng cụ điện cầm tay được sử dụng theo quy định, cũng không thể loại bỏ tất cả các yếu tố rủi ro khác. Các mối nguy hiểm sau đây có thể phát sinh liên quan đến cấu trúc và thiết kế của dụng cụ điện cầm tay:**



Tổn thương phổi nếu không đeo mặt nạ chống bụi hiệu quả.



Tổn thương thính giác nếu không đeo thiết bị bảo vệ thính giác hiệu quả.



Thiệt hại về sức khỏe do rung động nếu dụng cụ điện cầm tay được sử dụng trong thời gian dài hơn hoặc không được bảo quản và bảo dưỡng đúng cách.



**CẢNH BÁO!** Dụng cụ điện này tạo ra trường điện từ trong khi vận hành. Trong một số trường hợp, trường điện từ này có thể can thiệp vào cây ghép y tế chủ động hoặc thụ động. Để giảm nguy cơ chấn thương nghiêm trọng hoặc gây tử vong, chúng tôi khuyên những người có thiết bị cấy ghép y tế nên tham khảo ý kiến bác sĩ và nhà sản xuất thiết bị cấy ghép y tế trước khi vận hành dụng cụ này.

### LẮP RÁP

Trước khi tiến hành sửa chữa máy (như bảo trì, thay công cụ, v.v.) cũng như trong quá trình vận chuyển và bảo quản, đặt công tắc đảo chiều ở vị trí chính giữa. Khi vô tình nhấn công tắc có thể gây ra chấn thương.

## Sạc máy vặn vít

Trước tiên hãy đọc hướng dẫn an toàn và sau đó làm theo hướng dẫn sạc.

Kết nối đầu cáp USB-C với cổng USB-C (Ảnh. 2) (A) trong chìa vặn vít. Sau đó kết nối đầu cáp USB còn lại với bộ sạc USB hoặc ổ cắm USB có thể cung cấp đủ năng lượng để sạc chìa vặn vít. Đảm bảo rằng không có nút thắt hoặc uốn cong sắc nét trong cáp.

Khi chìa vặn vít được kết nối với nguồn điện bằng cáp USB-C, ba đèn trên chìa vặn vít (Ảnh. 2) (B) sáng lên để cho biết trạng thái sạc:

- Đèn nhấp nháy - đang sạc
- Sáng ổn định - đã sạc xong

Sau khi pin của chìa vặn vít được sạc đầy và chìa vặn vít vẫn được kết nối với nguồn điện, các đèn sẽ sáng. Trong điều kiện sử dụng bình thường, chìa vặn vít có thể được sạc lại hàng trăm lần.

**Lưu ý:** Pin đi kèm với thiết bị này chỉ được sạc thử, phải sạc đầy trước khi sử dụng.

Máy vặn vít/khoan TRIXIG và bộ pin TRIXIG được thiết kế để hoạt động cùng nhau.

**KHÔNG ĐƯỢC** sử dụng bộ pin này để cấp nguồn cho các công cụ không dây của các nhà sản xuất khác.

Công nghệ "Bảo vệ Pin Điện tử" (Electronic Cell Protection - ECP) giúp bảo vệ pin lithium-ion khỏi việc phóng điện. Khi hết pin, máy tự động tắt để bảo vệ bằng mạch, sau đó thiết bị sẽ không còn xoay nữa.



**LƯU Ý:** Không tiếp tục nhấn công tắc BẬT/TẮT khi máy đã tự động tắt. Điều này có thể làm hư hỏng pin.



**CẢNH BÁO!** Không sạc pin trên bề mặt dễ bắt cháy. Không sạc pin quá 8 giờ.

## HƯỚNG DẪN SỬ DỤNG

### Vận hành

Máy vặn vít có thể dùng cho các loại chìa vặn vít đầu lục giác có đường kính 6.35mm (1/4") với nhiều đầu vít và độ dài khác nhau.

### Gắn chìa vặn vít (Hình 3)

Chọn chìa vặn vít phù hợp cho ốc vít được sử dụng. Chèn chìa vít vào đầu của máy vặn vít và cố định chắc chắn.

**Lưu ý:** Khi vặn ốc vít bằng sản phẩm này, nên khoan mũi định hướng.

### BẬT và TẮT

Để dùng chìa vặn vít, hãy bóp công tắc BẬT/TẮT (3). Nhả công tắc BẬT/TẮT sẽ dừng chìa vặn vít. Để tháo vít và thay đổi hướng xoay, hãy đẩy công tắc hướng xoay (7).

### Trục xoay tự động khóa

Trục xoay sẽ tự động khóa khi tắt thiết bị. Nhờ đó, bạn có thể máy vặn vít như tua vít thông thường.

## đầu kẹp chìa nam châm

Bạn có thể đặt các mũi khoan đang sử dụng trên đầu kẹp chìa nam châm (5) phía trên máy vặn vít để giữ chúng ở gần trong tầm tay khi bạn đang làm việc.

## đèn LED

Máy vặn vít có đèn LED tích hợp để chiếu sáng khu vực làm việc. Đèn LED sáng lên mỗi khi kích hoạt công tắc và sau đó tắt khi nhả công tắc.

## BẢO TRÌ VÀ VỆ SINH

Giữ máy vặn vít luôn sạch sẽ và khô ráo để có thể sử dụng đúng cách và an toàn. Dùng khăn lau mềm thấm nước để lau đi bụi bẩn. Tuyệt đối không sử dụng cá hóa chất hoặc dung môi tẩy rửa.

Để đảm bảo an toàn và hiệu quả lao động, luôn giữ cho máy móc và khe thông gió được sạch sẽ.

Sản phẩm này được thiết kế để sử dụng trong gia đình, không dành cho mục đích thương mại hoặc kiểm nghiệm chất lượng chuyên nghiệp

Giữ hướng dẫn này để sử dụng trong tương lai.

Nhà sản xuất: IKEA of Sweden AB

Địa chỉ: Hộp thư số 702, SE-343 81 Älmhult, THỤY ĐIỂN



Pin và pin sạc không phải là rác thải sinh hoạt! Với tư cách là người tiêu dùng, theo luật, bạn phải vứt bỏ tất cả pin và bộ tích điện, cho dù chúng có chứa chất độc hại\* hay không, tại một điểm thu gom trong thành phố/khu phố của bạn hoặc thông qua một tổ chức thương mại cung cấp dịch vụ xử lý pin để chúng có thể được vứt bỏ một cách thân thiện với môi trường.

\* được đánh dấu bằng: Cd = cadmium, Hg = thủy ngân, Pb = chì



Biểu tượng thùng rác có bánh xe gạch chéo có nghĩa là sản phẩm phải được tách riêng khỏi rác thải sinh hoạt. Sản phẩm phải được tái chế theo quy định môi trường tại địa phương về cách xử lý chất thải. Khi bạn tách riêng các sản phẩm được đánh dấu biểu tượng này và rác thải sinh hoạt, bạn sẽ giúp giảm lượng rác thải được đưa vào lò đốt rác hoặc bãi rác và giảm thiểu các tác động tiêu cực có thể gây ra cho sức khỏe con người và môi trường. Để biết thêm thông tin, hãy liên hệ với cửa hàng IKEA gần nhất.

